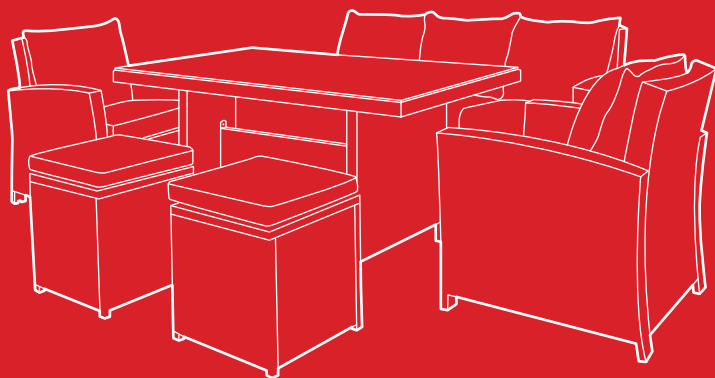




bestchoiceproducts



# INSTRUCTION MANUAL

---

6-Piece Wicker Dining Set



**bestchoiceproducts**

---

Thank you for choosing us! Since 2002, Best Choice Products has been bringing customers high-quality products at the absolute lowest price. With everything ranging from instruments and toys to furniture and outdoor, we've got your everyday living essentials covered. We're centered around a customer-first philosophy - with free shipping, exceptional customer service, and a catalog sourced with you in mind.

---



Cushions are not  
waterproof; they  
are water resistant  
and can only  
withstand light rain.

Do not leave  
cushions out in  
inclement weather.

[bestchoiceproducts.com](http://bestchoiceproducts.com)

## NOTICE

Please retain these instructions for future reference.

- Please do not exceed the weight limitations of this item.
- Do not stand on or use any part of this item as a step ladder.
- Firmly secure all bolts, screws and knobs before use.
- Reconfirm that all bolts, screws, and knobs are secure every 90 days.
- Fasten screws loosely during initial assembly. Do not firmly tighten the screws until the item is completely assembled.
- Do not use or store this item in the proximity of open flame or flammable/combustible chemicals.
- Be aware that some parts are heavy and have sharp edges.
- If any parts are missing, broken, damaged, or worn, stop using this product until repairs are made and/or factory replacement parts are installed.
- Do not use this item in a way inconsistent with the manufacturer's instructions as this could void the product warranty.

## TOOLS REQUIRED



300 LBS  
PER SEAT

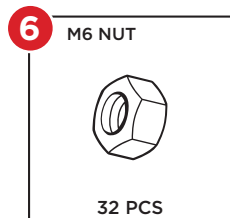
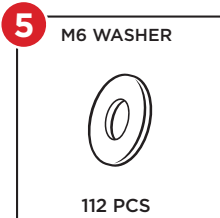
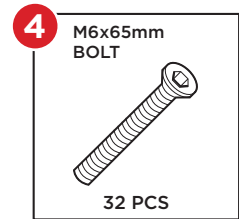
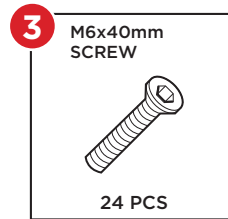
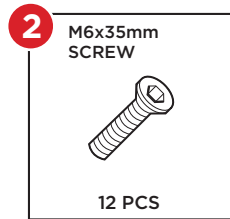
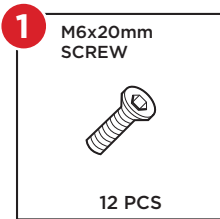


2 PERSON  
ASSEMBLY

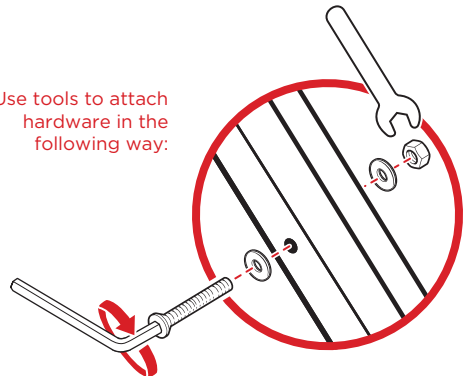


APPROXIMATELY  
90 MIN.  
ASSEMBLY

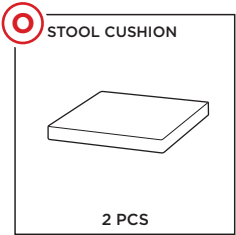
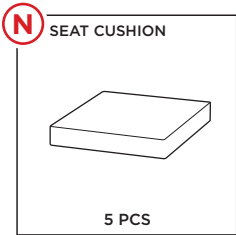
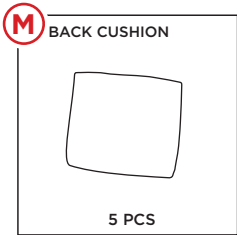
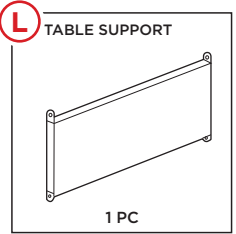
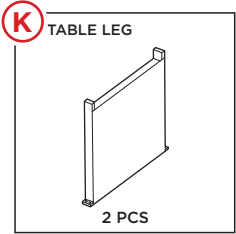
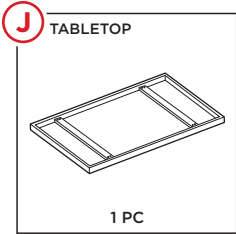
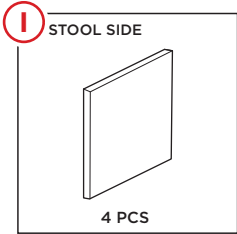
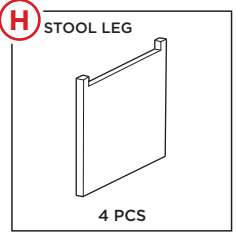
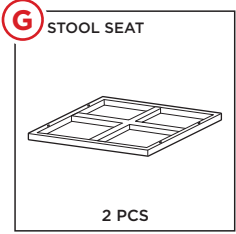
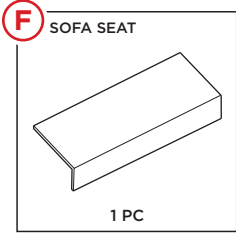
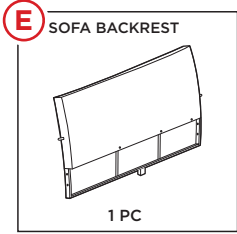
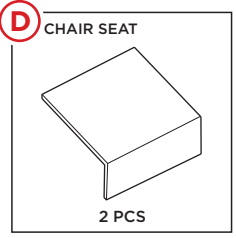
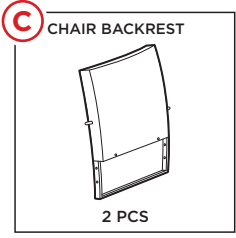
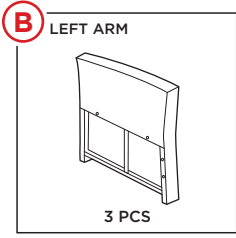
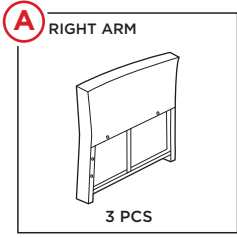
## HARDWARE



Use tools to attach  
hardware in the  
following way:



# PARTS

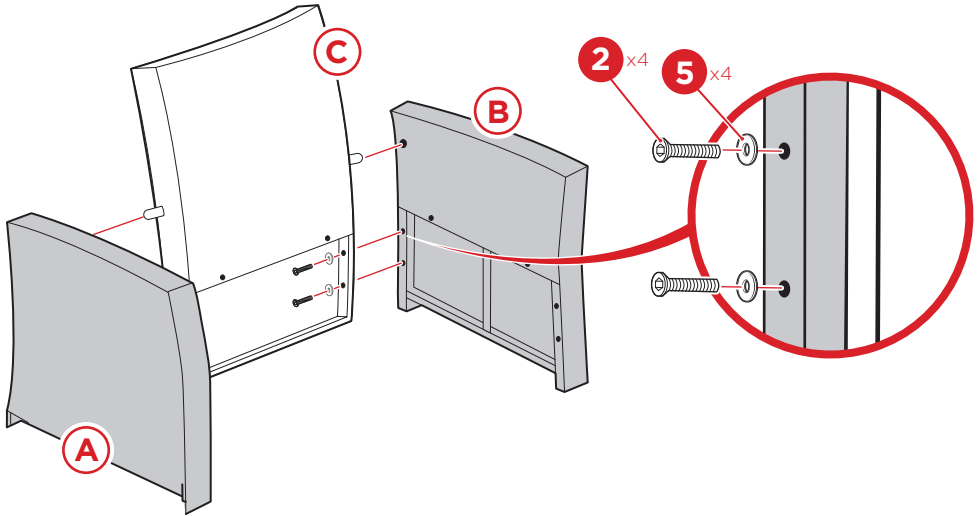


## PRODUCT ASSEMBLY - CHAIR

1

Insert the dowel on the part C chair backrest into a part B left arm. Secure the bottom of the backrest to the left arm with two part 2 screws and two part 5 washers.

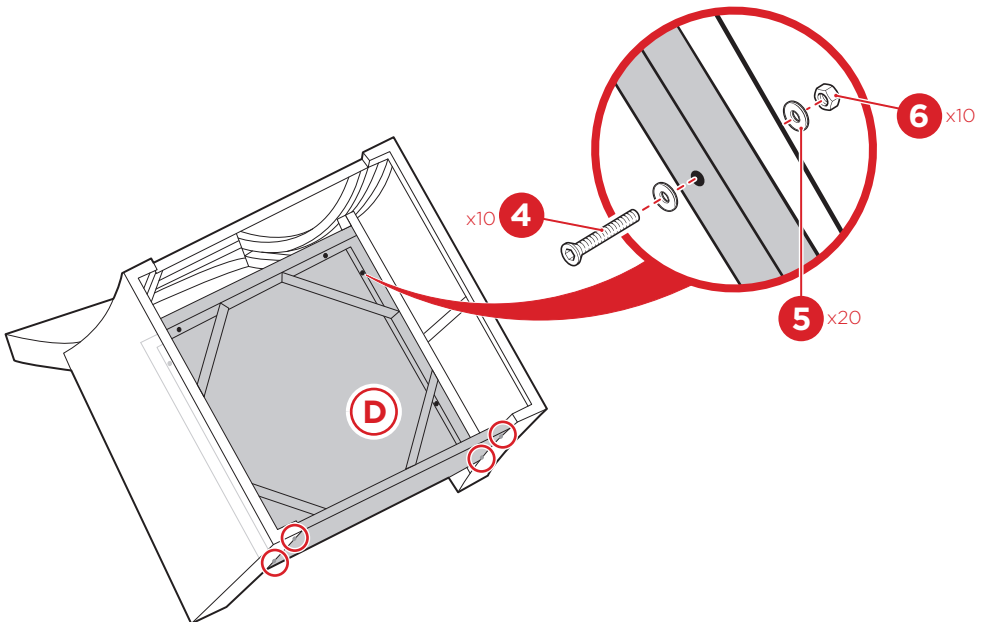
Repeat on the other side to attach a part A right arm to the backrest.



2

Attach the part D chair seat with ten part 4 bolts, twenty part 5 washers, and ten part 6 nuts.

Repeat to build another chair.

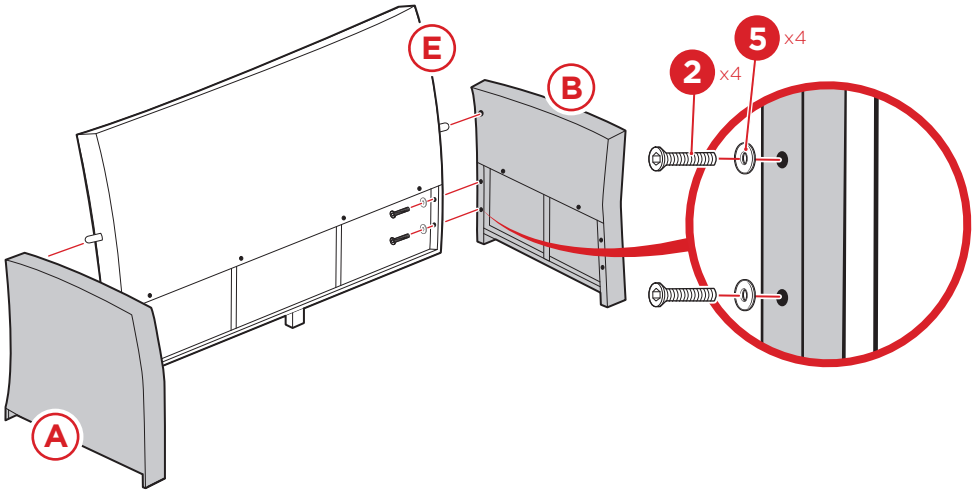


## PRODUCT ASSEMBLY - SOFA

1

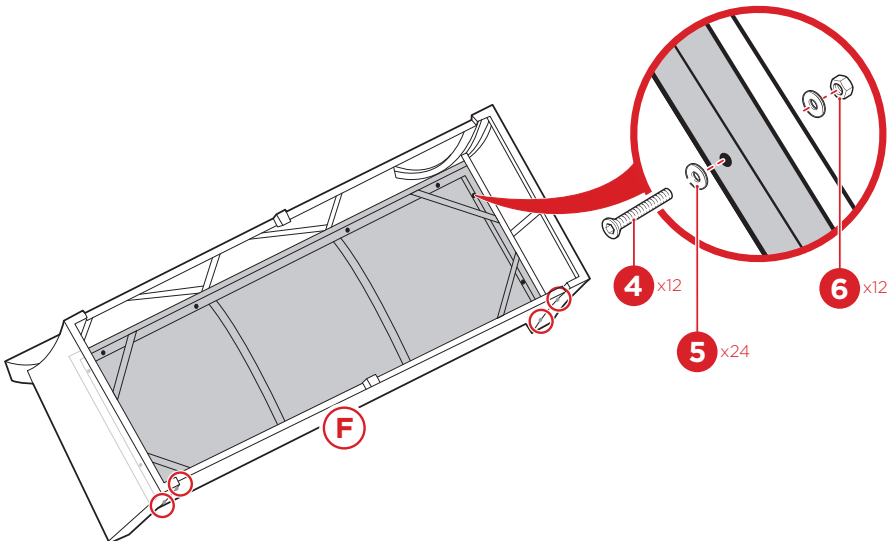
Insert the dowel on the part E sofa backrest into a part B left arm. Secure the bottom of the backrest to the left arm with two part 2 screws and two part 5 washers.

Repeat on the other side to attach a part A right arm to the backrest.



2

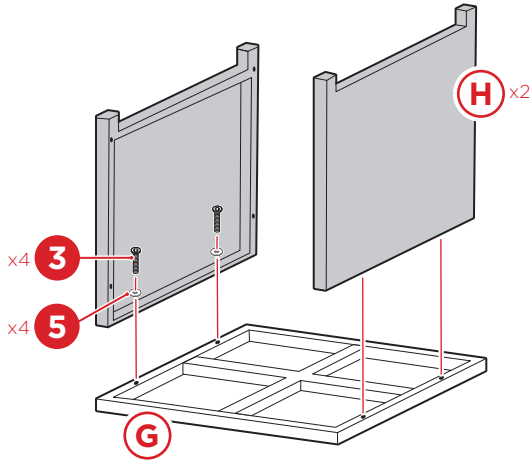
Attach the part F sofa seat with twelve part 4 bolts, twenty-four part 5 washers, and twelve part 6 nuts.



## PRODUCT ASSEMBLY - STOOL

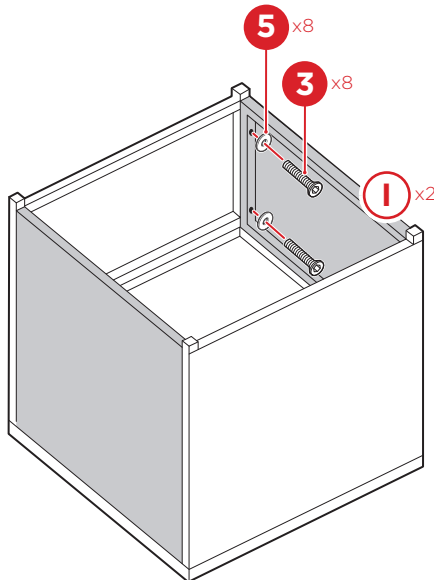
1

Attach two part H stool legs to the part G stool seat with four part 3 screws and four part 5 washers.



2

Attach two part I stool sides with eight part 3 screws and eight part 5 washers.  
Repeat to build another stool.

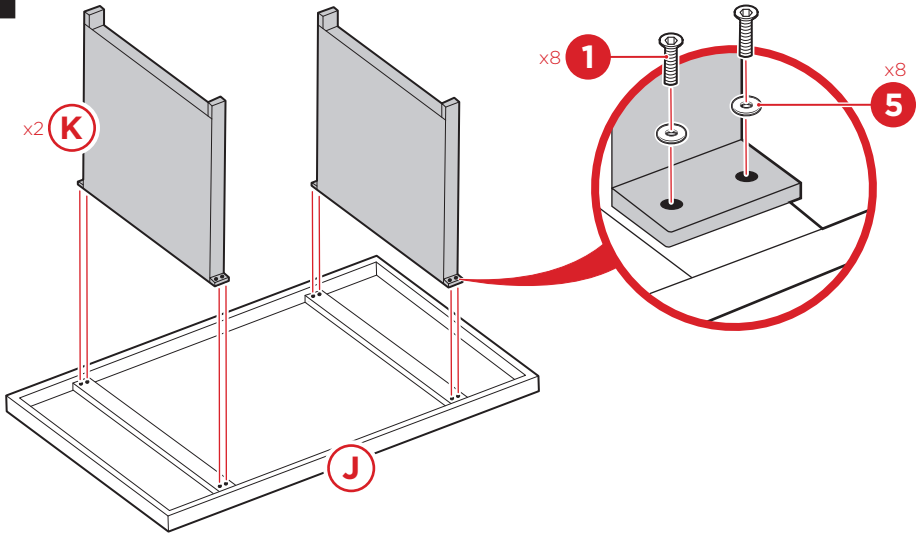




## PRODUCT ASSEMBLY - TABLE

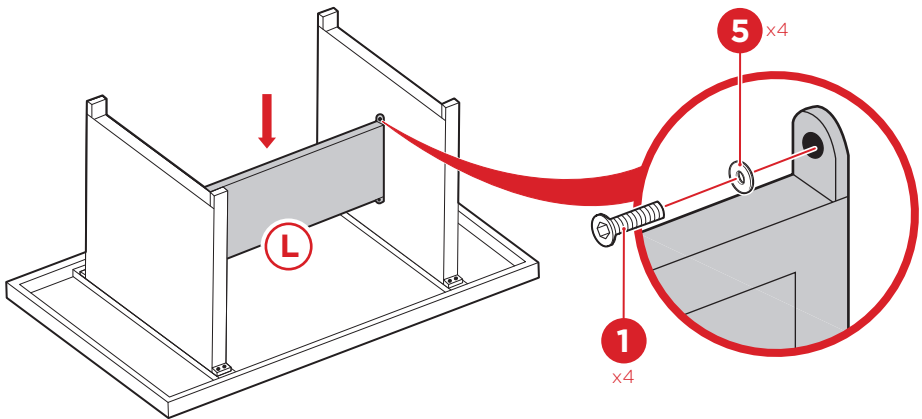
1

Attach two part K table legs to the part J tabletop with eight part 1 screws and eight part 5 washers.



2

Attach the part L table support with four part 1 screws and four part 5 washers.

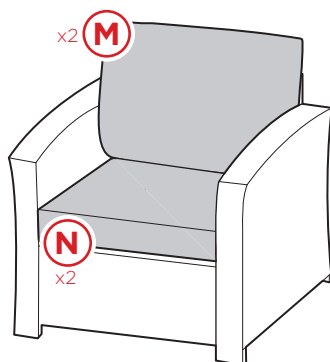


## PRODUCT ASSEMBLY - CUSHIONS

**NOTE:** Cushions are not waterproof; they are water resistant and can only withstand light rain. Do not leave cushions out in inclement weather

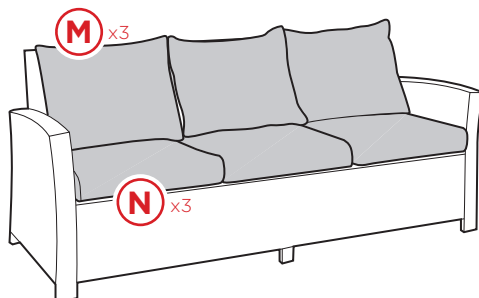
**1**

Place two part M back cushions and two part N seat cushions on the chairs.



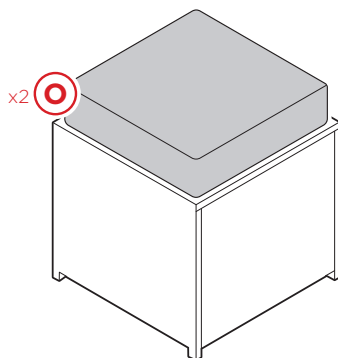
**2**

Place three part M back cushions and three part N seat cushions on the sofa.



**3**

Place two part O stool cushion on the stool.



Earn points while you shop. Join today!

bestchoiceproducts  
**rewards**

Join | Earn | Redeem

Give your friends 15% off their first order! For each successful referral you'll receive 100 points.

[bestchoiceproducts.com](https://bestchoiceproducts.com)



# HELP CENTER



Question about your product? We're here to help. Visit us at:

[help.bestchoiceproducts.com](http://help.bestchoiceproducts.com)



Chat Support



Product Inquiry



Orders FAQ



Product Assembly



Returns & Refunds

## PRODUCT WARRANTY INFORMATION

All items can be returned for any reason within 60 days of the receipt and will receive a full refund as long as the item is returned in its original product packaging and all accessories from its original shipment are included. All returned items will receive a full refund back to the original payment method. All returned items will not be charged a re-stocking fee.

All returned items require an RA (Return Authorization) number, which can only be provided by a Best Choice Products Customer Service Representative when the return request is submitted. Items received without an RA may not be accepted or may increase your return processing time. Once an item has been received by Best Choice Products, refunds or replacements will be processed within 5 business days.

All returns must be shipped back to the Best Choice Products Return Center at the customer's expense. If the reason for return is a result of an error by Best Choice Products then Best Choice Products will provide a pre-paid shipping label via email. Boxes for return shipping will not be provided by Best Choice Products, and is the customer's responsibility to either use the original shipping boxes or purchase new boxes.

Pictures may be required for some returns to ensure an item is not damaged prior to its return. Items returned are not considered undamaged until they are received by Best Choice Products and verified as such. All damages to items are the customer's responsibility until the item has been received by and acknowledge by Best Choice Products as undamaged.

## WARNING

Manufacturer and seller expressly disclaim any and all liability for personal injury, property damage or loss, whether direct, indirect, or incidental, resulting from the incorrect attachment, improper use, inadequate maintenance, or neglect of this product.