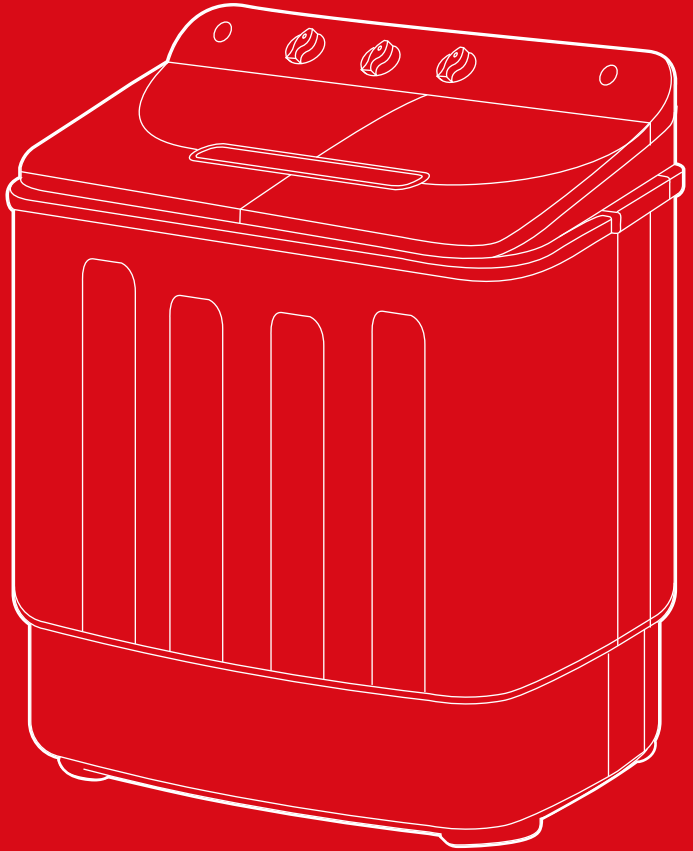




bestchoiceproducts



INSTRUCTION MANUAL

Portable Twin Tub Washing Machine



bestchoiceproducts

Thank you for choosing us! Since 2002, Best Choice Products has been bringing customers high-quality products at the absolute lowest price. With everything ranging from instruments and toys to furniture and outdoor, we've got your everyday living essentials covered. We're centered around a customer-first philosophy - with free shipping, exceptional customer service, and a catalog sourced with you in mind.

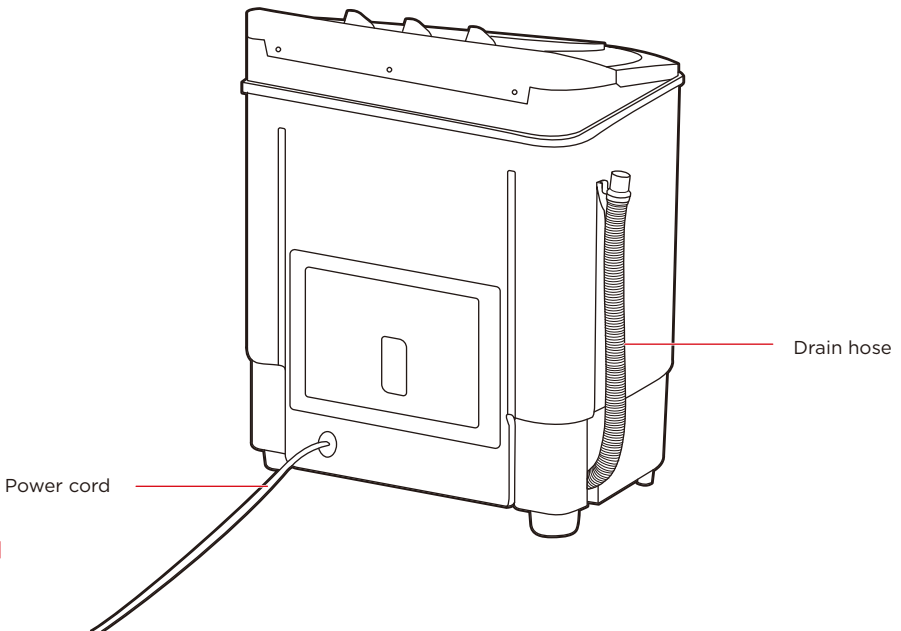
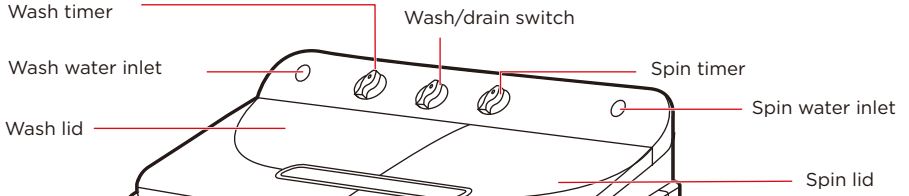
! NOTICE

- Place on a stable and level surface.
- Item is intended for indoor, household use only.
- Do not wash more than 8 pounds of laundry per wash.
- Do not spin more than 5 pounds of laundry per spin cycle.
- Water temperature must never exceed 140°F.
- Wash whites and colors separately.
- For wool garments, flip them inside out and wash in a laundry wash bag.
- Do not wash textiles or clothing that contain volatile materials.
- This appliance is not intended for use by people (including children) with reduced physical, sensory, or mental capabilities, unless they have been given supervision or instruction concerning use of the appliance by a person responsible for their safety.
- If any parts are missing, broken, damaged, or worn, stop using this product until repairs are made and/or factory replacement parts are installed.
- Do not use this item in a way inconsistent with the manufacturer's instructions as this could void the product warranty.

WARNING

- Keep appliance away from direct sunlight and other sources of heat (stove, heater, etc.).
- Do not place outdoors or in a damp environment such as a bathroom or spa.
- Do not allow water to touch the electric motor or internal components. Only put water in the tubs.
- Do not place hands or objects in washing machine while it is working.
- Ensure hands are dry when removing the plug from the wall outlet.
- Do not place heavy goods on top of the unit.
- Do not use excessive laundry detergent as it may affect the washing performance.
- Do not fill the tubs beyond max capacity.
- Stop operation immediately if unit emits abnormal sounds or movements.
- Keep the machine away from direct sunlight or other heating appliances.
- Always unplug washing machine when finished.

DIAGRAM

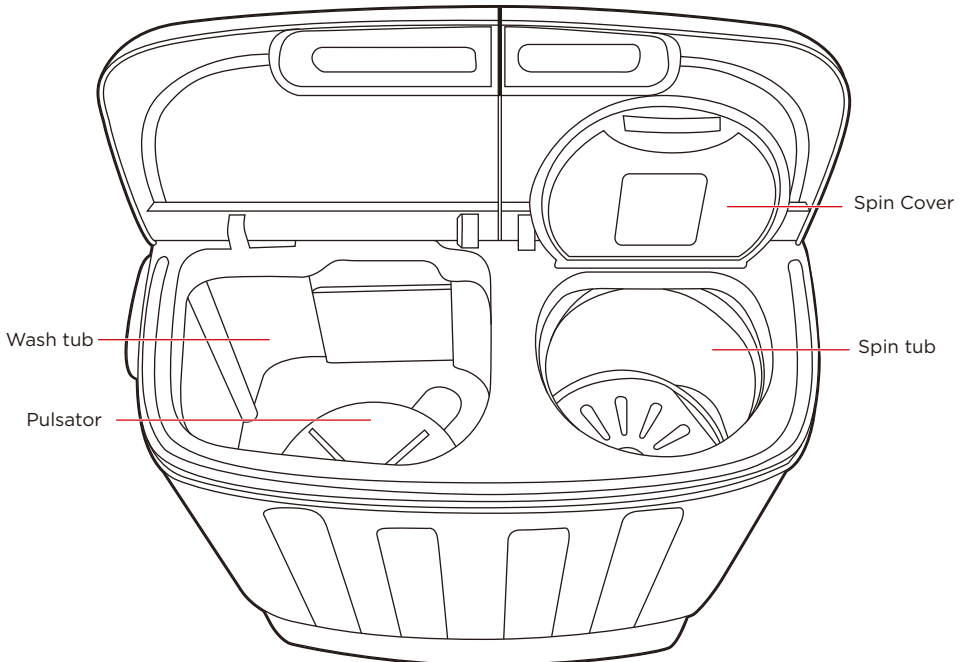
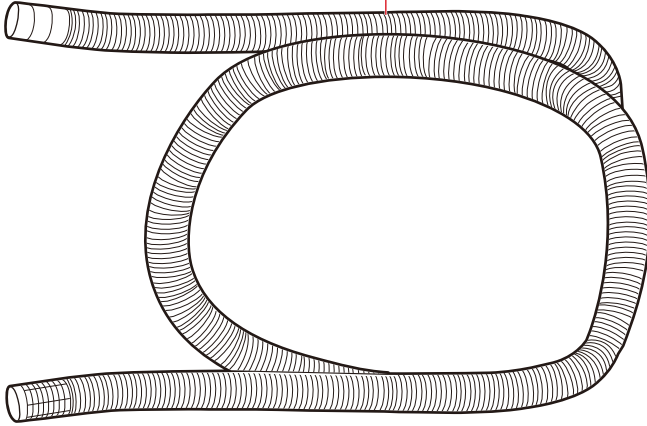


DIAGRAM



Faucet adaptor not included; if needed, purchase from a hardware store

Water inlet hose (2)



OPERATING INSTRUCTIONS

Washing/Rinsing:

1. Place the washing machine on a level surface near a water source and drainage point.
Note: Make sure that the drain hose is clipped to the left side of the machine.
2. Place laundry in the wash tub. Plug the machine into a wall outlet.
3. Attach a water inlet hose to the wash water inlet and fill the tub with water.
Note: You can also pour water directly into tub with a bucket.
4. Add laundry detergent to the tub. Turn the wash timer to your desired wash time.
5. When the wash cycle finishes, unhook the drain hose, switch machine to drain, and drain water into a drainage point or a suitable container.
6. To rinse laundry, repeat the washing process but without detergent.

Spinning:

1. Clip the drain hose to the left side of the machine.
2. Transfer laundry to the spin tub and close the spin cover.
3. Attach a water inlet hose to the spin water inlet and fill the tub with water.
4. Turn the spin timer to your desired spin time. Repeat if necessary.
5. When spin cycle finishes, unhook the drain hose, switch machine to drain, and drain water into a drainage point or suitable container.

Spin Dry:

1. After water is drained, leave wet laundry in the spin tub.
2. Turn spin timer to your desired spin time. Repeat if necessary.
3. When spin cycle finishes, remove laundry.

Tip: Hang dry laundry until it is completely dry.

CLEANING AND STORAGE

- Wipe down exterior of machine with a damp cloth to remove dirt. If necessary, use a mild detergent.
- Store machine in a cool, dry place.

TROUBLESHOOTING

Problem	Reason	Solution
Pulsator not working	Not properly plugged in	Make sure device is properly plugged in
	Blown fuse/tripped circuit breaker	Replace fuse/reset circuit breaker
	Wash timer not on	Turn to your desired wash time
	Pulsator jammed	Remove object
Spin tub not rotating	Laundry tangled in spin tub shaft	Remove and rearrange laundry in spin tub
Abnormal noise/vibration	Laundry in spin tub is unbalanced	Remove and rearrange laundry in spin tub
	Object jammed between pulsator and wash tub	Remove object
Water leaks from tub	Drain hose loose	Reconnect and tighten drain hose
Not Draining	Drain hose still clipped to machine	Unhook hose
	Drain hose is twisted	Straighten hose
	Drain hose jammed	Remove object
Weak Wash Cycle	Load too heavy	Remove laundry



HELP CENTER



Question about your product? We're here to help. Visit us at:

help.bestchoiceproducts.com



Chat Support



Product Inquiry



Orders FAQ



Product Assembly



Returns & Refunds

PRODUCT WARRANTY INFORMATION

All items can be returned for any reason within 60 days of the receipt and will receive a full refund as long as the item is returned in its original product packaging and all accessories from its original shipment are included. All returned items will receive a full refund back to the original payment method. All returned items will not be charged a re-stocking fee.

All returned items require an RA (Return Authorization) number, which can only be provided by a Best Choice Products Customer Service Representative when the return request is submitted. Items received without an RA may not be accepted or may increase your return processing time. Once an item has been received by Best Choice Products, refunds or replacements will be processed within 5 business days.

All returns must be shipped back to the Best Choice Products Return Center at the customer's expense. If the reason for return is a result of an error by Best Choice Products then Best Choice Products will provide a pre-paid shipping label via email. Boxes for return shipping will not be provided by Best Choice Products, and is the customer's responsibility to either use the original shipping boxes or purchase new boxes.

Pictures may be required for some returns to ensure an item is not damaged prior to its return. Items returned are not considered undamaged until they are received by Best Choice Products and verified as such. All damages to items are the customer's responsibility until the item has been received by and acknowledge by Best Choice Products as undamaged.

WARNING

Manufacturer and seller expressly disclaim any and all liability for personal injury, property damage or loss, whether direct, indirect, or incidental, resulting from the incorrect attachment, improper use, inadequate maintenance, or neglect of this product.