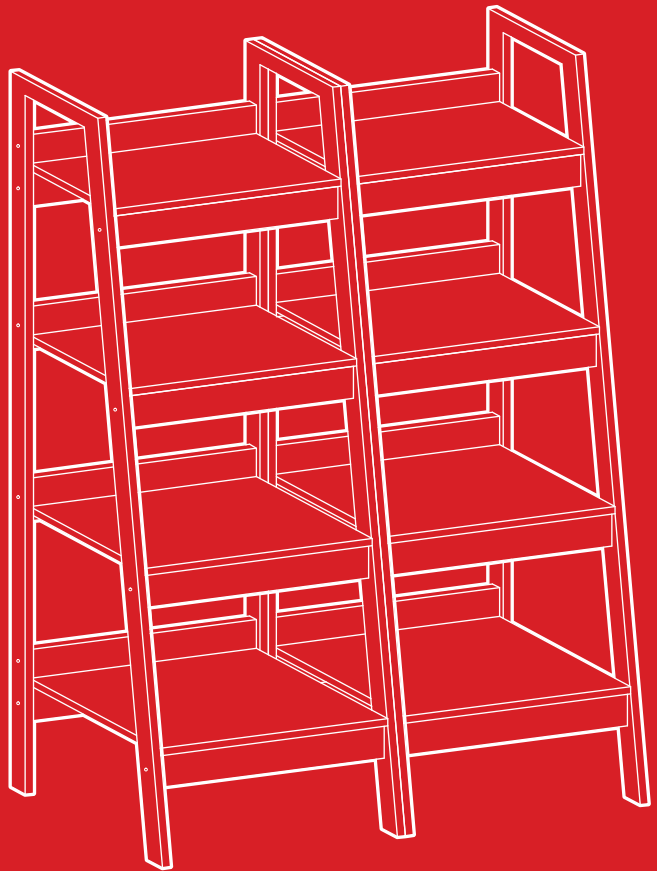




bestchoiceproducts



INSTRUCTION MANUAL

Set of 2 Ladder Bookcases



bestchoiceproducts

As shoppers, we're always trying to find the perfect balance between quality & value. At BCP, we believe we've achieved that. Our diverse catalog of everyday essentials is tailored especially to our customers & guaranteed to hit that sweet spot of high quality & low price.

— Always. —

! NOTICE

- Please do not exceed the weight limitations of this item.
- Do not stand on or use any part of this item as a step ladder.
- Firmly secure all bolts, screws, and knobs before use.
- Reconfirm that all bolts, screws, and knobs are secure every 90 days.
- Do not use or store this item in the proximity of open flame or flammable/combustible chemicals.
- If any parts are missing, broken, damaged, or worn, stop using this item until repairs are made and/or factory replacement parts are installed.
- Do not use this item in a way inconsistent with the manufacturer's instructions as this could void the product warranty.

USAGE TIPS

- Fasten screws loosely during assembly. Do not tighten screws until item is fully assembled.
- Screw holes may be covered with a thin layer of wood pattern. Gently poke through layer with a screwdriver before inserting hardware.
- To clean, wipe with a damp cloth. Allow item to thoroughly dry.
- To extend life of product, do not place in direct sunlight.

TOOLS REQUIRED



PHILLIPS
SCREWDRIVER



33 LBS
CAPACITY
PER SHELF



1 PERSON
ASSEMBLY



APPROXIMATELY
40 MIN.
ASSEMBLY

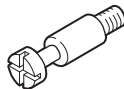
HARDWARE

1 M5 x 50mm
SCREW



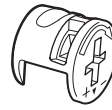
56 PCS

2 M6 x 35mm
CAM BOLT



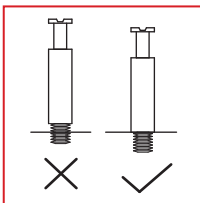
16 PCS

3 CAM LOCK

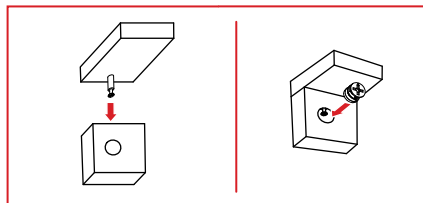


16 PCS

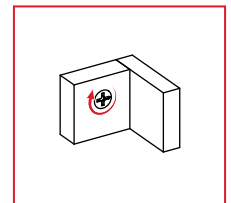
TIGHTENING CAMLOCKS



1. Screw cam bolt
in completely.

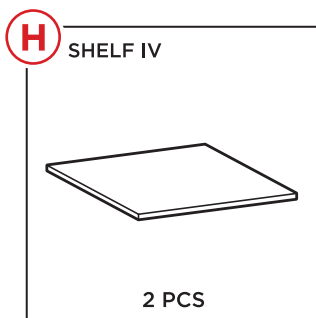
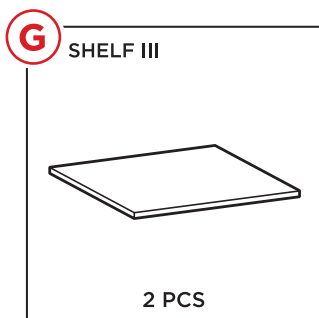
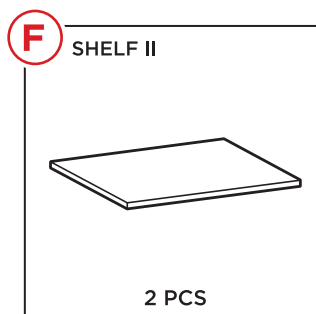
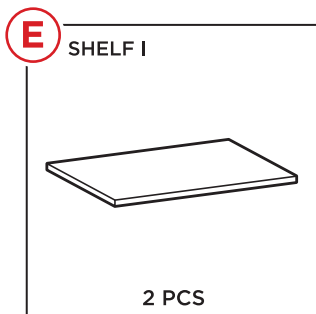
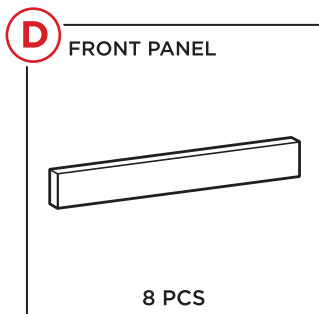
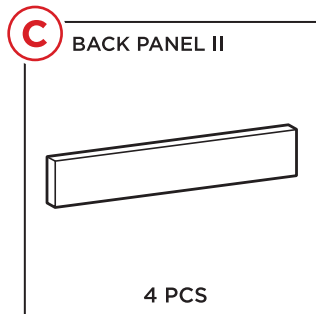
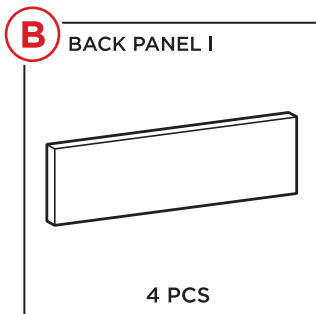
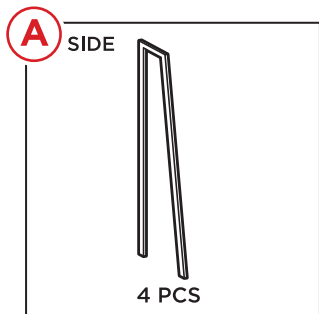


2. Insert cam bolt and cam lock into
designated holes.



3. Screw cam lock
clockwise to secure
cam bolt.

PARTS



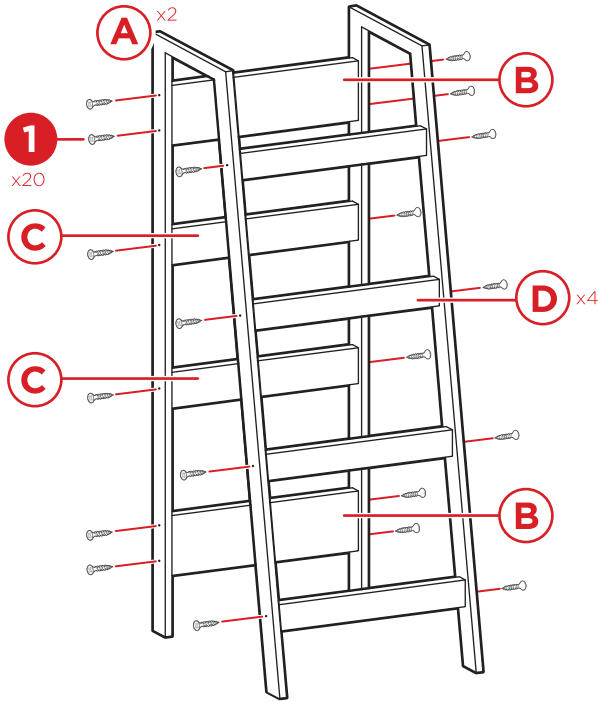
PRODUCT ASSEMBLY

Please retain these instructions for future reference.

1

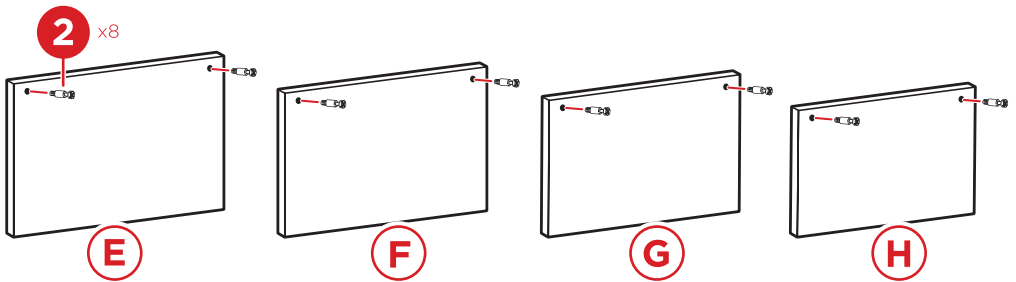
Attach two part B back panels, two part C back panels, and four part D front panels to two part A sides with twenty part 1 screws.

NOTE: Fasten screws loosely during assembly. Do not tighten screws until item is fully assembled.



2

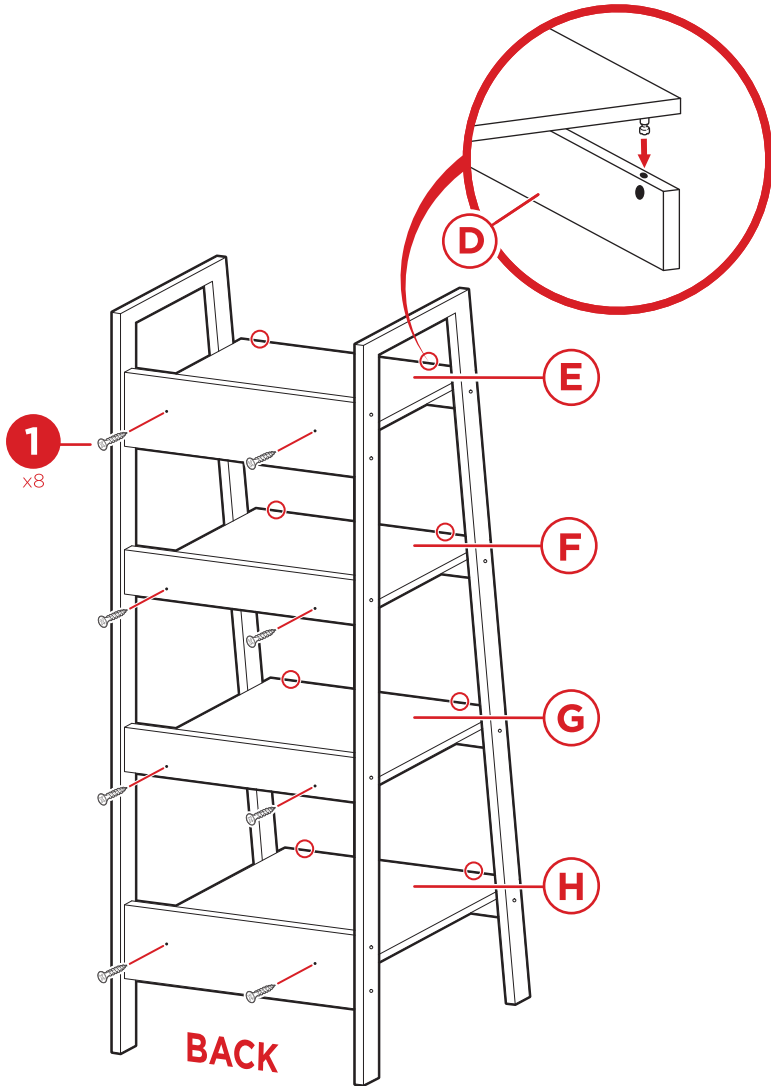
Screw eight part 2 cam bolts into the shelves.



3

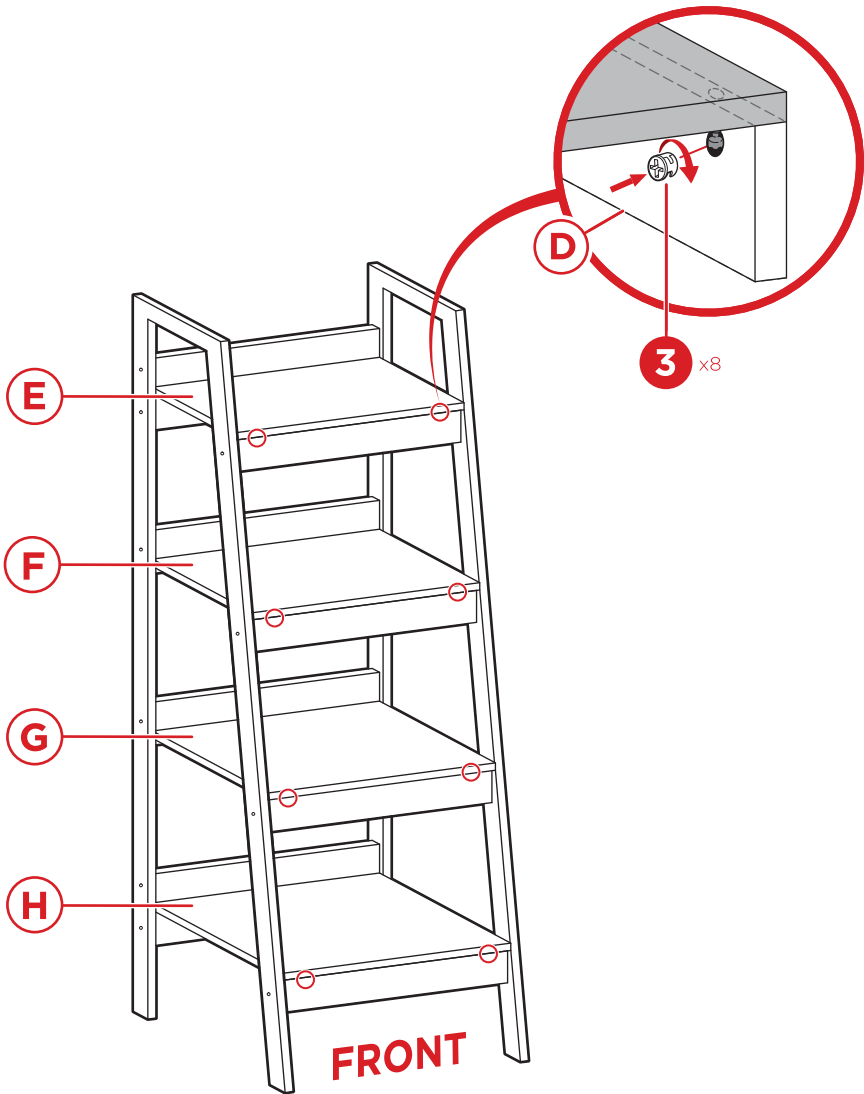
Attach part E, F, G, and H shelves to the back panels with eight part 1 screws.

NOTE: Insert the cam bolts into their designated holes in the front panels.



4

Secure the shelves to the front panels with eight part 3 cam locks.
Repeat to build another bookcase.





HELP CENTER



Question about your product? We're here to help. Visit us at:

help.bestchoiceproducts.com



Chat Support



Product Inquiry



Orders FAQ



Product Assembly



Returns & Refunds

PRODUCT WARRANTY INFORMATION

All items can be returned for any reason within 60 days of the receipt and will receive a full refund as long as the item is returned in its original product packaging and all accessories from its original shipment are included. All returned items will receive a full refund back to the original payment method. All returned items will not be charged a re-stocking fee.

All returned items require an RA (Return Authorization) number, which can only be provided by a Best Choice Products Customer Service Representative when the return request is submitted. Items received without an RA may not be accepted or may increase your return processing time. Once an item has been received by Best Choice Products, refunds or replacements will be processed within 5 business days.

All returns must be shipped back to the Best Choice Products Return Center at the customer's expense. If the reason for return is a result of an error by Best Choice Products then Best Choice Products will provide a pre-paid shipping label via email. Boxes for return shipping will not be provided by Best Choice Products, and is the customer's responsibility to either use the original shipping boxes or purchase new boxes.

Pictures may be required for some returns to ensure an item is not damaged prior to its return. Items returned are not considered undamaged until they are received by Best Choice Products and verified as such. All damages to items are the customer's responsibility until the item has been received by and acknowledge by Best Choice Products as undamaged.

WARNING

Manufacturer and seller expressly disclaim any and all liability for personal injury, property damage or loss, whether direct, indirect, or incidental, resulting from the incorrect attachment, improper use, inadequate maintenance, or neglect of this product.