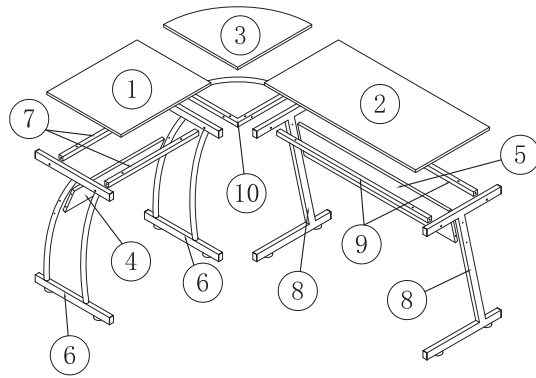
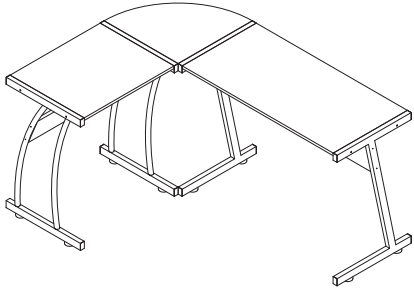
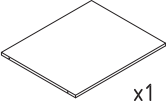
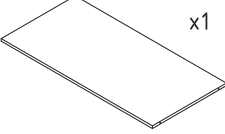
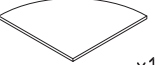
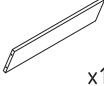
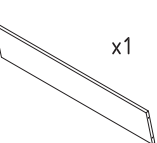
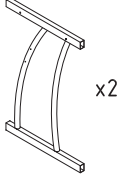

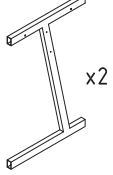
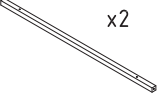
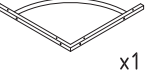












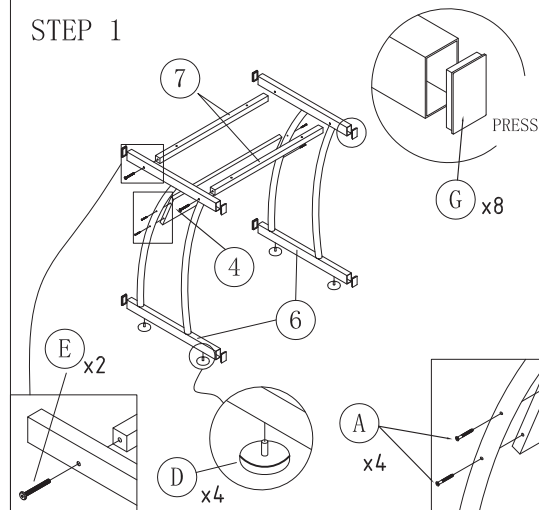
bestchoiceproducts

SKY4454



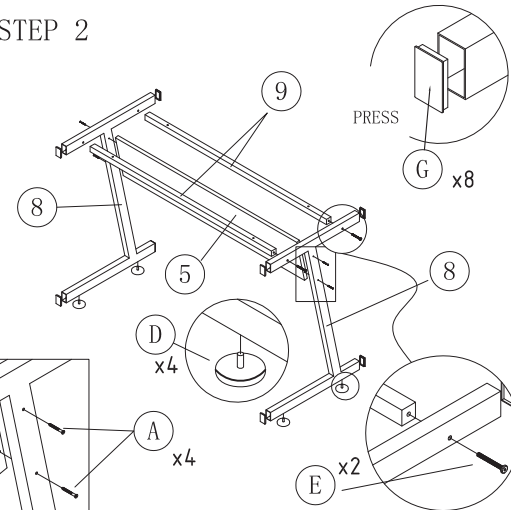
 x1	 x1	 x1	 x1
 x1	 x2	 x2	 x2
 x2	 x1	I	
 x8 Ø5*50	 x12 M6*35	 x12 M6	 x8
 x4 M6*35	 x4 M6*65	 x16	 x2

STEP 1



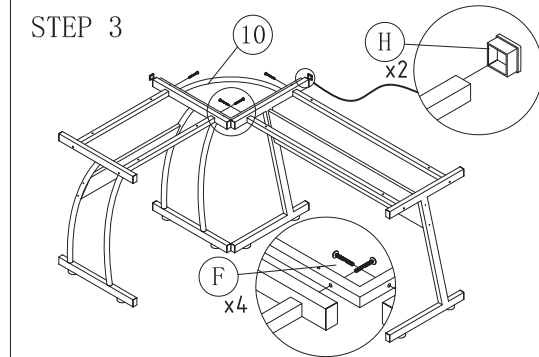
- Attach part 6 curved side frames to part 7 tabletop frames with two part E screws.
- Then, attach part 4 short crossbar to curved side frames with four part A screws.
- Insert four part D feet into the bottoms of the curved side frames.
- Insert eight part G caps into the exposed ends of the curved side frames.

STEP 2



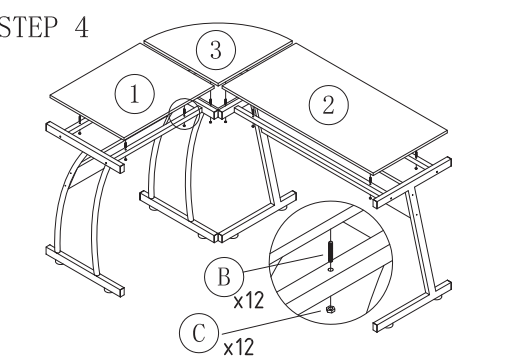
- Attach part 8 side frames to part 9 tabletop frames with two part E screws.
- Then, attach part 5 long crossbar to side frames with four part A screws.
- Insert four part D feet into the bottoms of the side frames.
- Insert eight part G caps into the exposed ends of the curved side frames.

STEP 3



- Connect assembled short and long table frames via part 10 corner frame with four part F screws.
- Then, insert part H end caps into the exposed ends of the corner frame.

STEP 4



- Attach part 1, 2, and 3 tabletops to the assembled frame with twelve part C nuts and twelve part B threaded dowels.

WARNING

Manufacturer and seller expressly disclaim any and all liability for personal injury, property damage or loss, whether direct, indirect, or incidental, resulting from the incorrect attachment, improper use, inadequate maintenance, or neglect of this product.

E-MAIL US:

We're here 7 days a week to help you!

customerservice@bestchoiceproducts.com