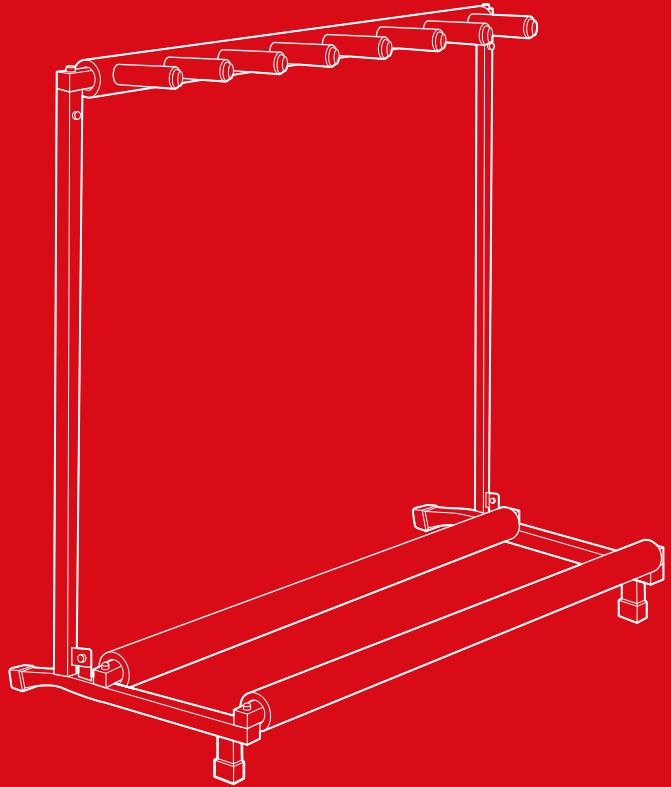




bestchoiceproducts



INSTRUCTION MANUAL

Folding 7-Guitar Stand

NOTICE

Please retain these instructions for future reference.

- Firmly secure all bolts, screws and knobs before use.
- Reconfirm that all bolts, screws, and knobs are secure every 90 days.
- Be aware that some parts are heavy and have sharp edges.
- If any parts are missing, broken, damaged, or worn, stop using this product until repairs are made and/or factory replacement parts are installed.
- Do not use this item in a way inconsistent with the manufacturer's instructions as this could void the product warranty.

TOOLS REQUIRED

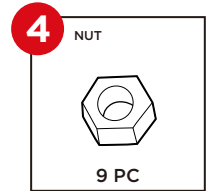
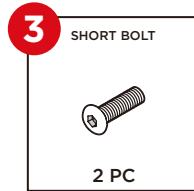
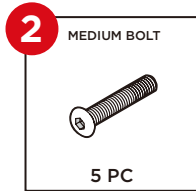
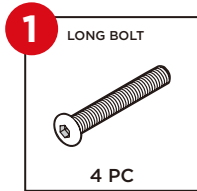


1 PERSON
ASSEMBLY

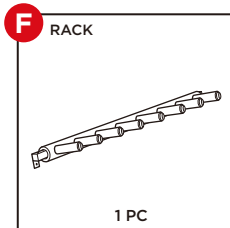
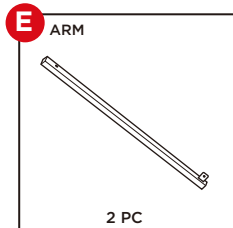
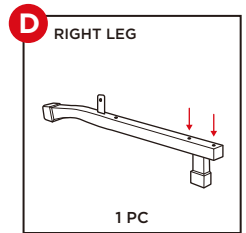
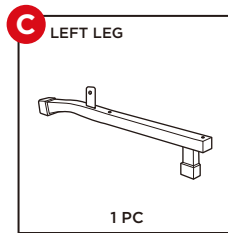
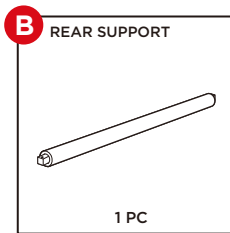
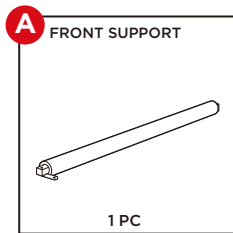


APPROXIMATELY
20 MIN.
ASSEMBLY

HARDWARE

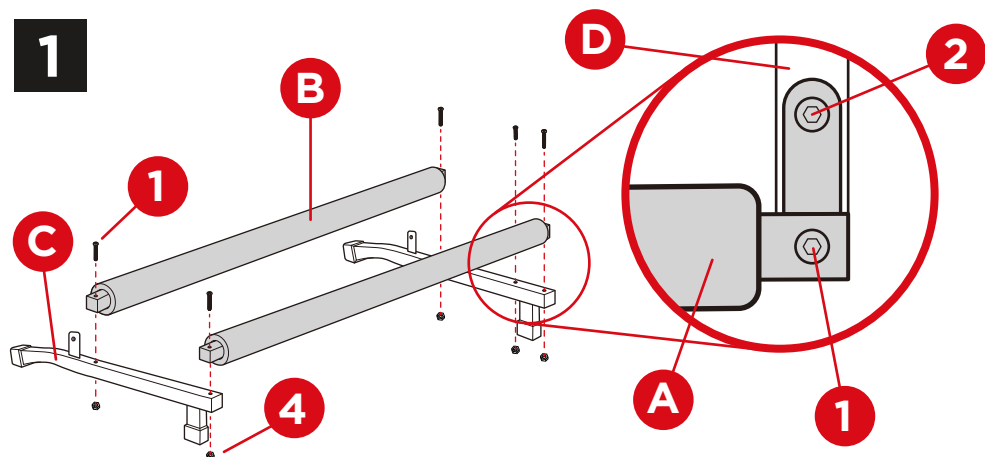


PARTS



PRODUCT ASSEMBLY

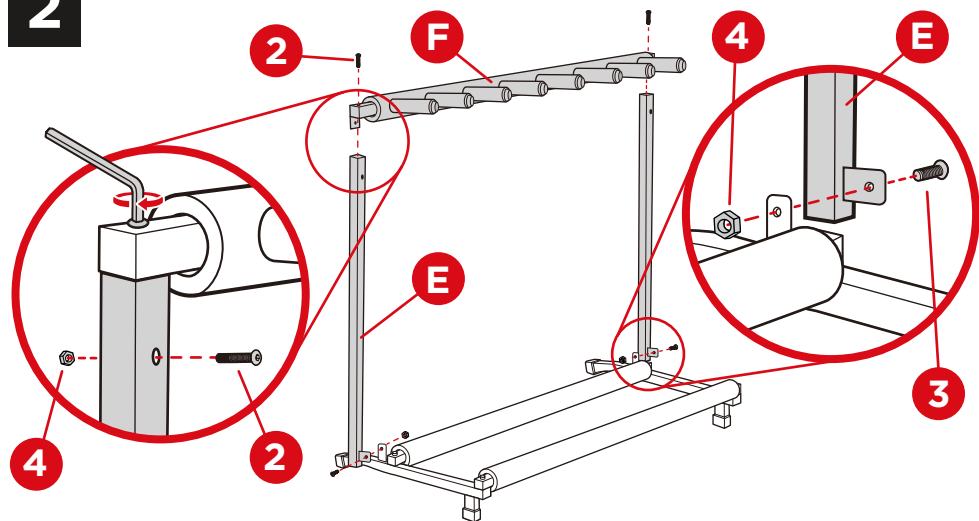
1



Attach the part C and D left/right legs to the part B rear support with two part 1 bolts and two part 4 nuts, one nut and bolt set per side.

Attach the part A front support to the legs with two part 1 bolts and two part 4 nuts, one nut and bolt set per side. Secure the right side of the front support with a part 2 bolt and part 4 nut on the metal plate.

2

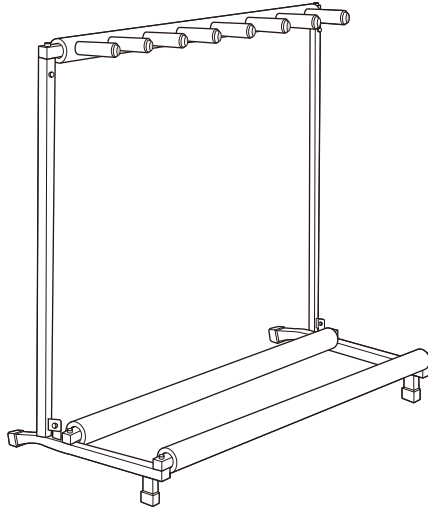


Attach the two part E arms with a part 3 bolt and part 4 nut per arm.

Attach the part F rack with two part 2 bolts and one part 4 nut per side.
Note: The two bolts on the top do not require a nut.

ENJOY YOUR PRODUCT!

bcp



PRODUCT WARRANTY INFORMATION

All items can be returned for any reason within 60 days of the receipt and will receive a full refund as long as the item is returned in its original product packaging and all accessories from its original shipment are included. All returned items will receive a full refund back to the original payment method. All returned items will not be charged a re-stocking fee.

All returned items require an RA (Return Authorization) number, which can only be provided by a Best Choice Products Customer Service Representative when the return request is submitted. Items received without an RA may not be accepted or may increase your return processing time. Once an item has been received by Best Choice Products, refunds or replacements will be processed within 5 business days.

All returns must be shipped back to the Best Choice Products Return Center at the customer's expense. If the reason for return is a result of an error by Best Choice Products then Best Choice Products will provide a pre-paid shipping label via email. Boxes for return shipping will not be provided by Best Choice Products, and is the customer's responsibility to either use the original shipping boxes or purchase new boxes.

Pictures may be required for some returns to ensure an item is not damaged prior to its return. Items returned are not considered undamaged until they are received by Best Choice Products and verified as such. All damages to items are the customer's responsibility until the item has been received by and acknowledge by Best Choice Products as undamaged.

CONTACT US; WE'RE HERE 7 DAYS A WEEK TO HELP YOU!



[bestchoiceproducts.com](https://www.bestchoiceproducts.com)



customerservice@bestchoiceproducts.com



844.948.8400



LEARN MORE!

WARNING

Manufacturer and seller expressly disclaim any and all liability for personal injury, property damage or loss, whether direct, indirect, or incidental, resulting from the incorrect attachment, improper use, inadequate maintenance, or neglect of this product.