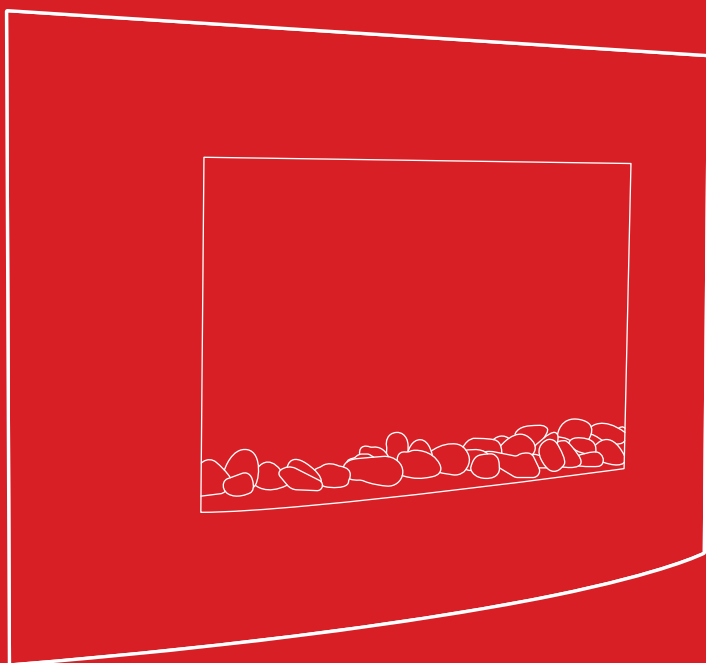




bestchoiceproducts



# INSTRUCTION MANUAL

---

Curved Electric Fireplace



**bestchoiceproducts**

---

Thank you for choosing us! Since 2002, Best Choice Products has been bringing customers high-quality products at the absolute lowest price. With everything ranging from instruments and toys to furniture and outdoor, we've got your everyday living essentials covered. We're centered around a customer-first philosophy – with free shipping, exceptional customer service, and a catalog sourced with you in mind.

---

## NOTICE

Please retain these instructions for future reference.

The following safety hazards may result in serious injury or death:

- Please read through all instructions before mounting and using this fireplace.
- This fireplace is not intended for commercial use.
- This product should be wall-mounted at least 2 ft. above the ground.
- There should be at least 3.5 ft. clearance between this product and the ceiling.
- The wall bracket on this product should only be fit per manual instructions.
- Do not install this unit onto a carpeted surface or onto any surface that could disrupt airflow to and from vents.
- Only use this heater with an AC power supply with the correct voltage.
- Cord should only be routed to the bottom right of the fireplace.
- Unplug fireplace when not in use. Turn off fireplace before unplugging unit.
- Do not plug in other devices into the same circuit.
- Do not turn the appliance on until it is properly installed.
- Do not leave appliance unattended during use or when plugged in.
- Do not let children operate or go near this appliance.
- Do not let children or small pets near during mounting and installation.
- Do not operate this product if the cord or any parts of this appliance are damaged. Do not attempt to modify the cord.
- Periodically check the cord and appliance for damage.
- Do not run cord under rugs, furniture, etc.
- Do not allow cord to hang over sharp edges or place near hot surfaces.
- Do not cover or obstruct the heater in any way.
- Do not store flammable liquids near this heater.
- Do not touch this heater when it is in use.
- Never immerse this appliance or cord in water or any other liquids.
- Do not expose this heater to water or humidity.
- Repairs to this appliance should only be performed by a licensed and qualified electrician.
- Disconnect and discontinue use of this appliance if any water damage occurs, or if the unit becomes hot to the touch, broken, or smokes/smells like smoke.
- Do not dispose of this appliance as unsorted waste. Use special collection facilities for electrical appliances.

*NOTE: When the heat function is turned on for the first time, a slight odor may be present. This is normal and should not occur again.*

## SPECIFICATIONS

<b>Power Supply</b>	110-120 V
<b>Rated Power</b>	1500 W
<b>Lighting</b>	(3) 40W G9 Bulbs

## TOOLS REQUIRED



PHILLIPS  
SCREWDRIVER



ELECTRIC  
DRILL



2 PERSON  
ASSEMBLY



APPROXIMATELY  
45 MIN.  
ASSEMBLY

## HARDWARE

**1** 4X40MM  
SCREWS



6 PCS

**2** 4X8MM  
SCREWS



2 PCS

**3** BEVELED  
SCREWS



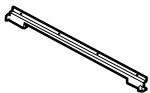
6 PCS

**4** WALL  
ANCHORS



6 PCS

**5** TOP  
BRACKET



1 PC

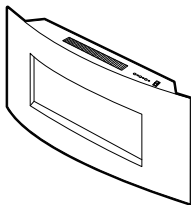
**6** BOTTOM  
BRACKET



1 PC

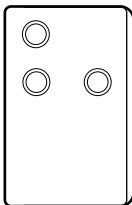
## PARTS

**A** FIREPLACE/HEATER



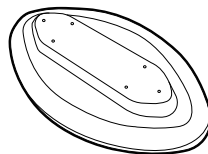
1 PC

**B** REMOTE CONTROL



1 PC

**C** STAND



1 PC

**D** PEBBLES

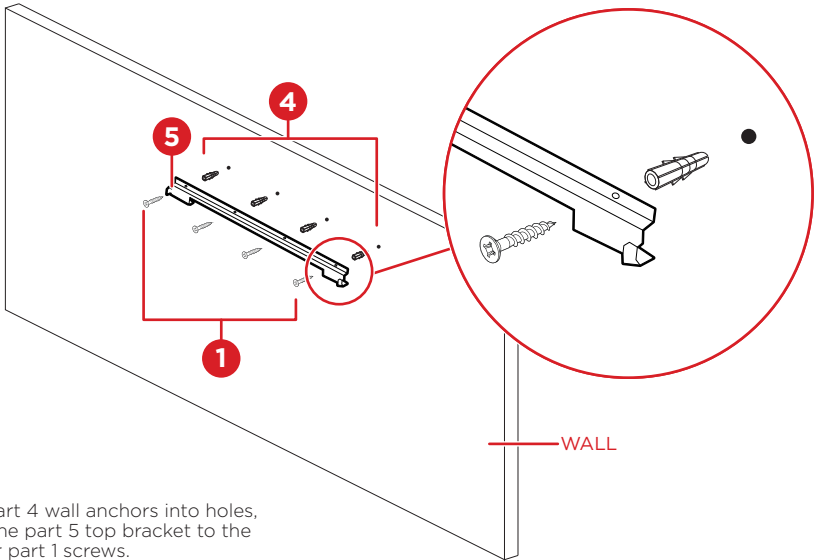


1 BAG

## MOUNTING TO THE WALL

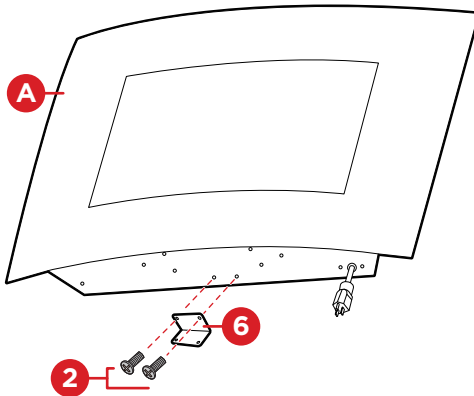
- Position the part 5 top bracket on the wall and mark where the four screw holes will be. Make sure that the bracket is level.
- Use an electric drill to drill the screw holes.

1



Screw four part 4 wall anchors into holes, then attach the part 5 top bracket to the wall with four part 1 screws.

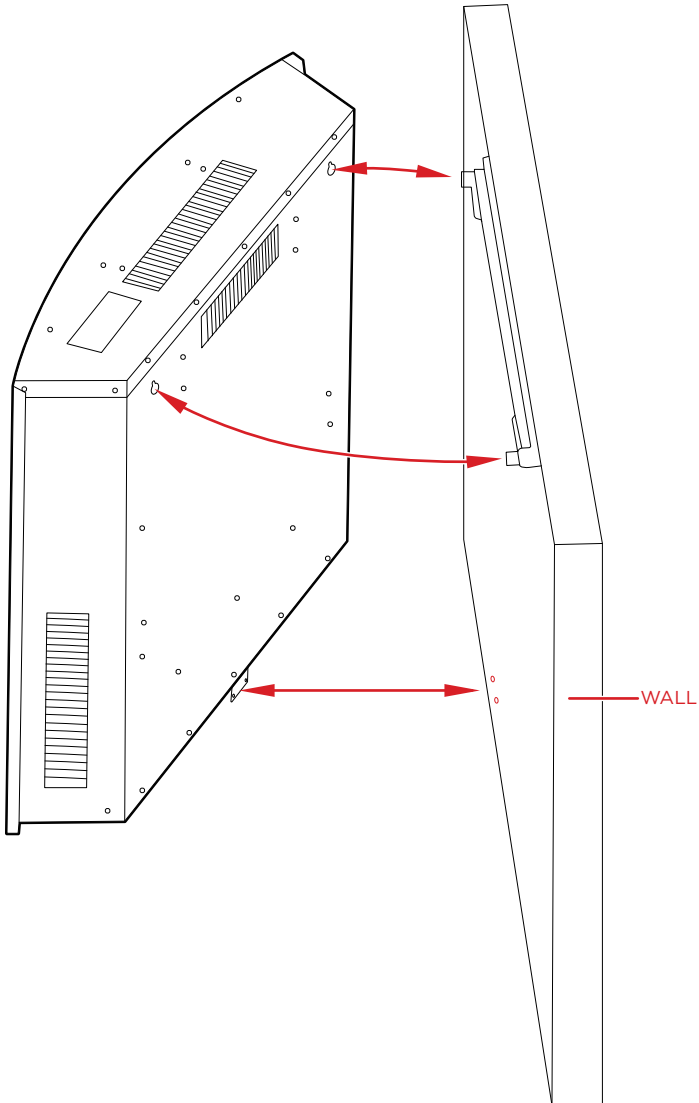
2



Attach the part 6 bottom bracket to the bottom of the part A fireplace with two part 2 screws.

## MOUNTING TO THE WALL

3



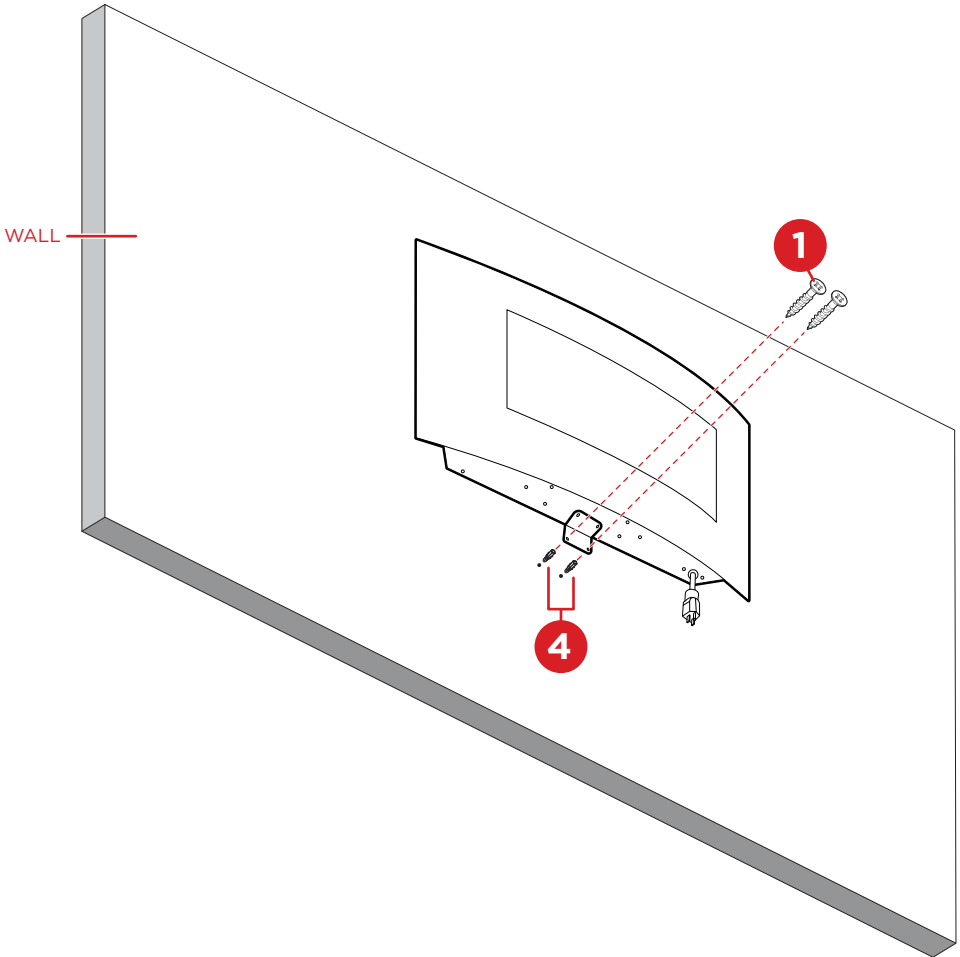
Lift the fireplace and carefully lower it onto the top bracket, ensuring that the bracket and fireplace are firmly engaged.

Mark the position on the wall of the two screw holes required for the part 5 bottom bracket. Carefully remove the fireplace from wall.

## MOUNTING TO THE WALL

- Use an electric drill to drill the screw holes for the bottom bracket.
- Screw two part 4 wall anchors into holes.

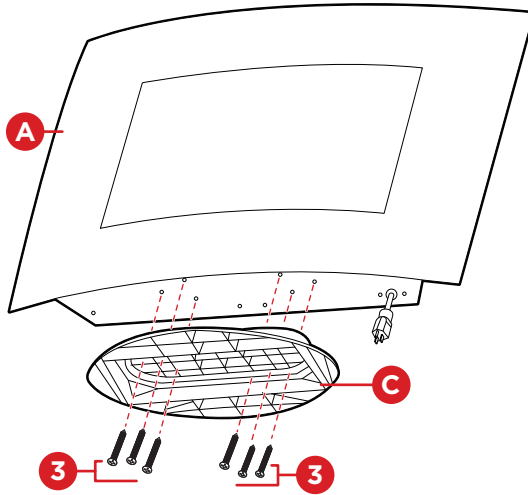
4



Lift the fireplace onto the top bracket. Attach the fireplace to the wall with two part 1 screws on the bottom bracket.

## MOUNTING TO A STAND

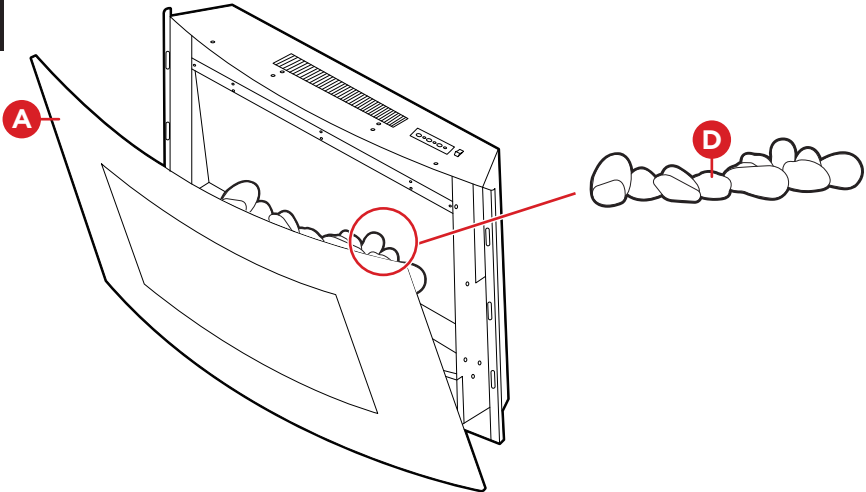
1



Attach the part C stand to the part A fireplace with six part 3 beveled screws.

## PLACING THE PEBBLES

2



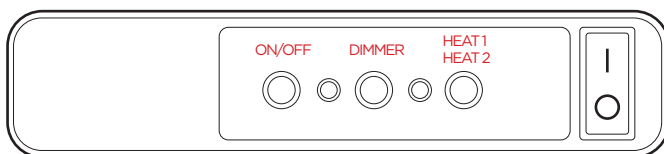
Carefully lift the glass off the front of the part A fireplace. Arrange the part D pebbles according to your preference. Replace the glass.



## HEATER/FIREPLACE OPERATION

- This appliance has a safety-cut off that will engage if the fireplace overheats. The fireplace will NOT automatically reset for safety reasons. To reset the appliance, unplug the unit for 15 minutes and then plug it back in.
- This appliance can be controlled by the panel on the unit or the remote.
- Do not press the buttons more than once in two seconds; it takes some time for the fireplace to respond.

## CONTROL PANEL



**ON/OFF:** Turn the heating/display effect on and off.

**DIMMER:** Controls the brightness levels. Press to cycle through dimness levels and the OFF setting.

**HEAT 1/HEAT 2:** Controls the heating level. Press to cycle through the low setting (750W), high setting (1500W), and the OFF setting.

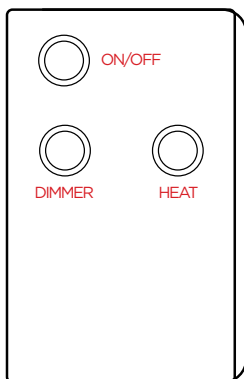
**STANDBY SWITCH:** Press to toggle standby on/off. This must be switched on to use the heater/fireplace. It is located on the right side of the fireplace.

## CARING FOR YOUR HEATER

- Turn unit off and unplug before any maintenance. Wait at least 15 minutes after unplugging before cleaning or maintenance.
- Use a vacuum/duster to keep vent area and heater clear of debris and dust.
- Fireplace exterior should be cleaned with a damp cloth or duster.
- Do not use abrasive cleaners or liquids.

## REMOTE CONTROL OPERATION

The remote has a 3V CR2025 lithium cell battery included. Remove the slip between the battery and contacts before operating the remote.



**DIMMER:** Adjust dimmer settings

**HEAT:** Adjust heat settings

## REPLACING BATTERIES



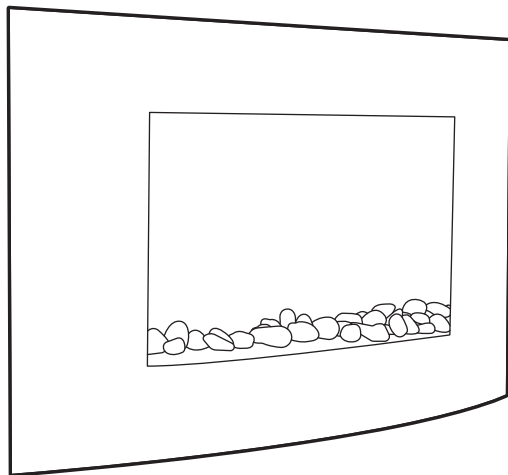
- Press the release and slide open the back panel of the remote.
- Remove the battery.
- Insert a brand new CR2025 battery, ensuring the "+" and "-" signs are in the correct order.
- Replace back panel.

## WARNINGS REGARDING BATTERIES

- Do not mix alkaline, standard (carbon zinc) and rechargeable (nickel hydride) batteries.
- Do not mix old and new batteries.
- Non-rechargeable batteries should not be charged.
- Rechargeable batteries should be charged under adult supervision only.
- Exhausted batteries should be removed.
- The supply terminals should not be short-circuited.
- Do not put batteries next to or in a heat source (fire, electronic heating device, etc.).
- Do not hit batteries against hard objects.
- Do not submerge batteries in water.
- Batteries should be inserted with the correct polarity.

**ASSEMBLY IS COMPLETE!**

bcp



## PRODUCT WARRANTY INFORMATION

All items can be returned for any reason within 60 days of the receipt and will receive a full refund as long as the item is returned in its original product packaging and all accessories from its original shipment are included. All returned items will receive a full refund back to the original payment method. All returned items will not be charged a re-stocking fee.

All returned items require an RA (Return Authorization) number, which can only be provided by a Best Choice Products Customer Service Representative when the return request is submitted. Items received without an RA may not be accepted or may increase your return processing time. Once an item has been received by Best Choice Products, refunds or replacements will be processed within 5 business days.

All returns must be shipped back to the Best Choice Products Return Center at the customer's expense. If the reason for return is a result of an error by Best Choice Products then Best Choice Products will provide a pre-paid shipping label via email. Boxes for return shipping will not be provided by Best Choice Products, and is the customer's responsibility to either use the original shipping boxes or purchase new boxes.

Pictures may be required for some returns to ensure an item is not damaged prior to its return. Items returned are not considered undamaged until they are received by Best Choice Products and verified as such. All damages to items are the customer's responsibility until the item has been received by and acknowledge by Best Choice Products as undamaged.

## CONTACT US; WE'RE HERE 7 DAYS A WEEK TO HELP YOU!



[bestchoiceproducts.com](http://bestchoiceproducts.com)



[customerservice@bestchoiceproducts.com](mailto:customerservice@bestchoiceproducts.com)



844.948.8400



LEARN MORE!

## **WARNING**

Manufacturer and seller expressly disclaim any and all liability for personal injury, property damage or loss, whether direct, indirect, or incidental, resulting from the incorrect attachment, improper use, inadequate maintenance, or neglect of this product.