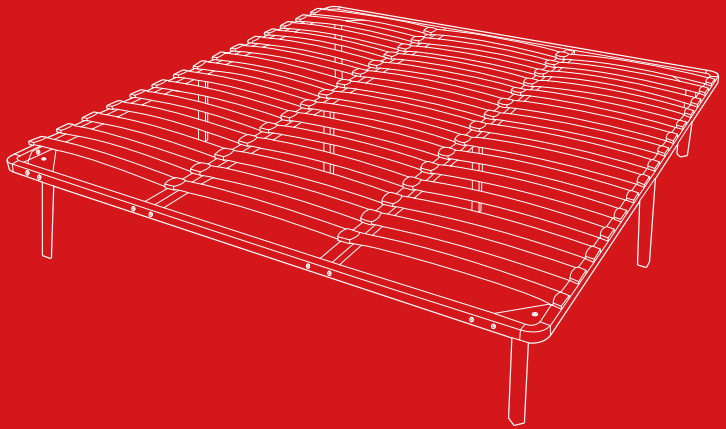




bestchoiceproducts



INSTRUCTION MANUAL

Wood Slat Kind Bed Frame



bestchoiceproducts

Thank you for choosing us! Since 2002, Best Choice Products has been bringing customers high-quality products at the absolute lowest price. With everything ranging from instruments and toys to furniture and outdoor, we've got your everyday living essentials covered. We're centered around a customer-first philosophy – with free shipping, exceptional customer service, and a catalog sourced with you in mind.

NOTICE

Please retain these instructions for future reference.

- Do not stand on or use any part of this product as a step ladder.
- Firmly secure all bolts, screws and knobs before use.
- Reconfirm that all bolts, screws, and knobs are secure every 90 days.
- Be aware that some parts are heavy and have sharp edges.
- If any parts are missing, broken, damaged, or worn, stop using this product until repairs are made and/or factory replacement parts are installed.
- Do not use this item in a way inconsistent with the manufacturer's instructions as this could void the product warranty.

TOOLS REQUIRED



1200 LBS
CAPACITY

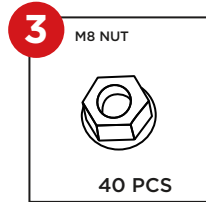
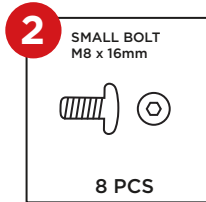
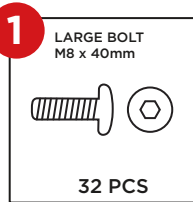


1 PERSON
ASSEMBLY

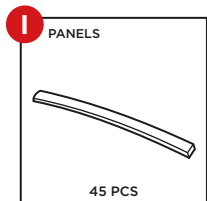
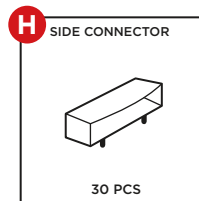
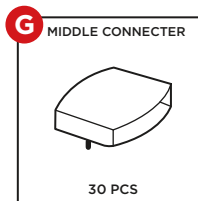
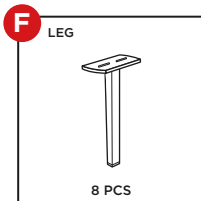
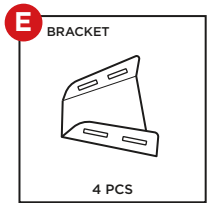
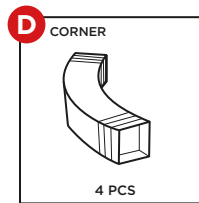
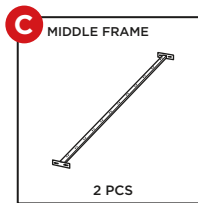
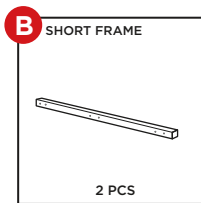
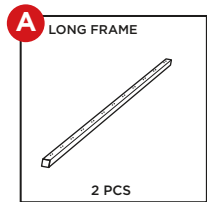


APPROXIMATELY
30 MIN.
ASSEMBLY

HARDWARE

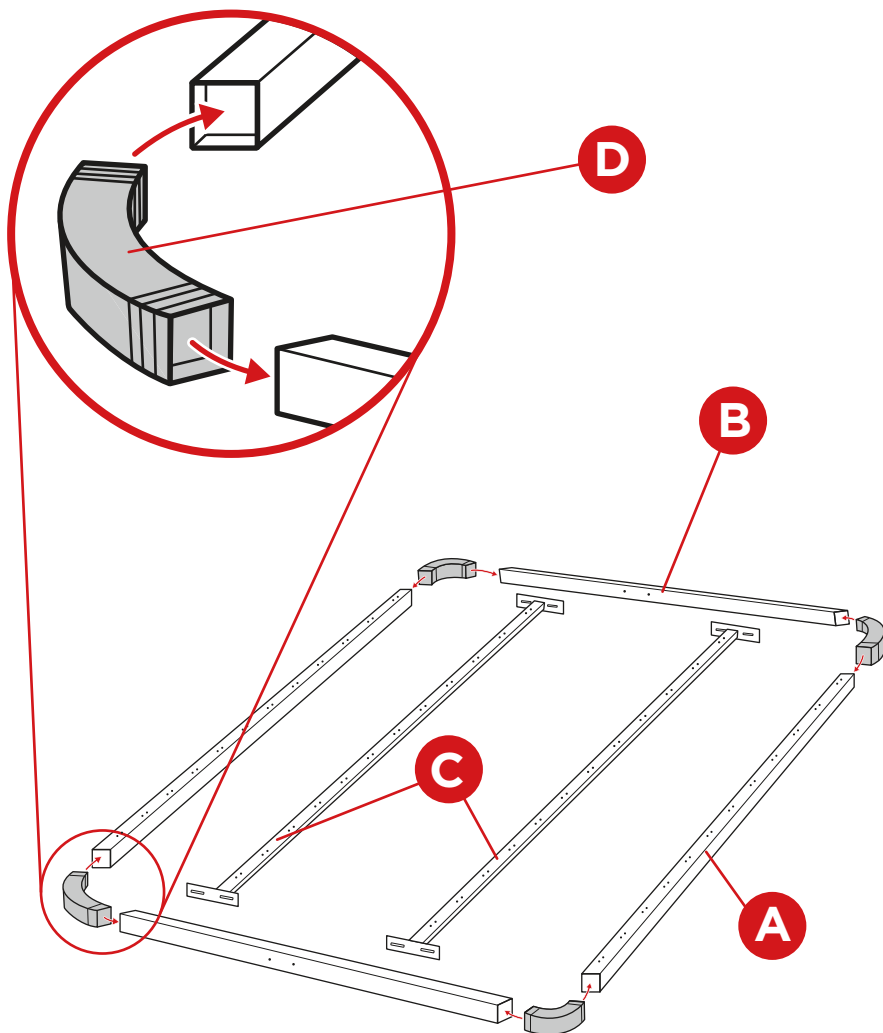


PARTS



PRODUCT ASSEMBLY

1



Arrange the two part A long frames, two part B short frames, and 2 part C middle frames to form the shape of the bed frame.

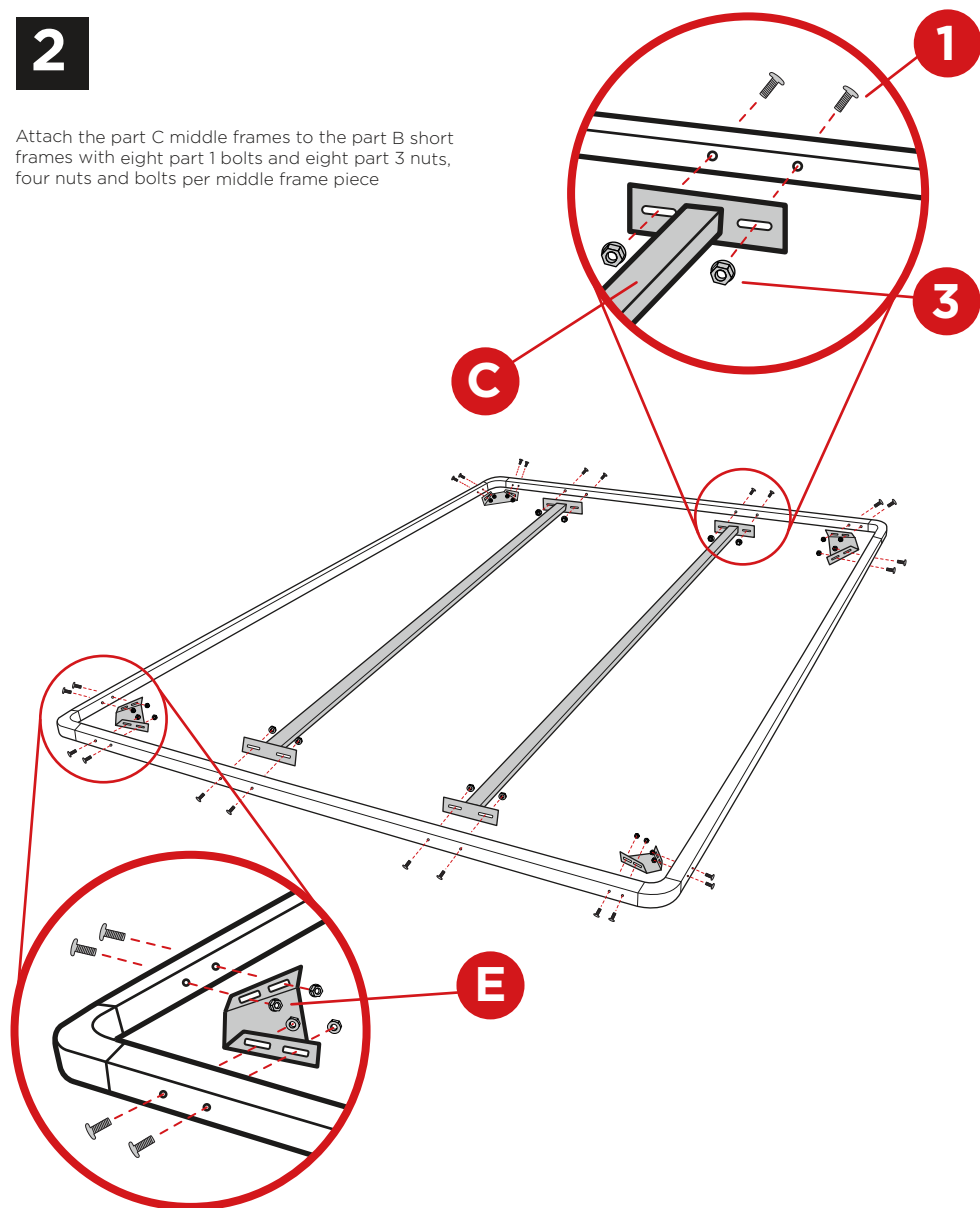
NOTE: Make sure that the holes on the long frames and middle frames face up, and the holes on the short frames face sideways.

Attach the long frames to the short frames with four part D corners.

PRODUCT ASSEMBLY

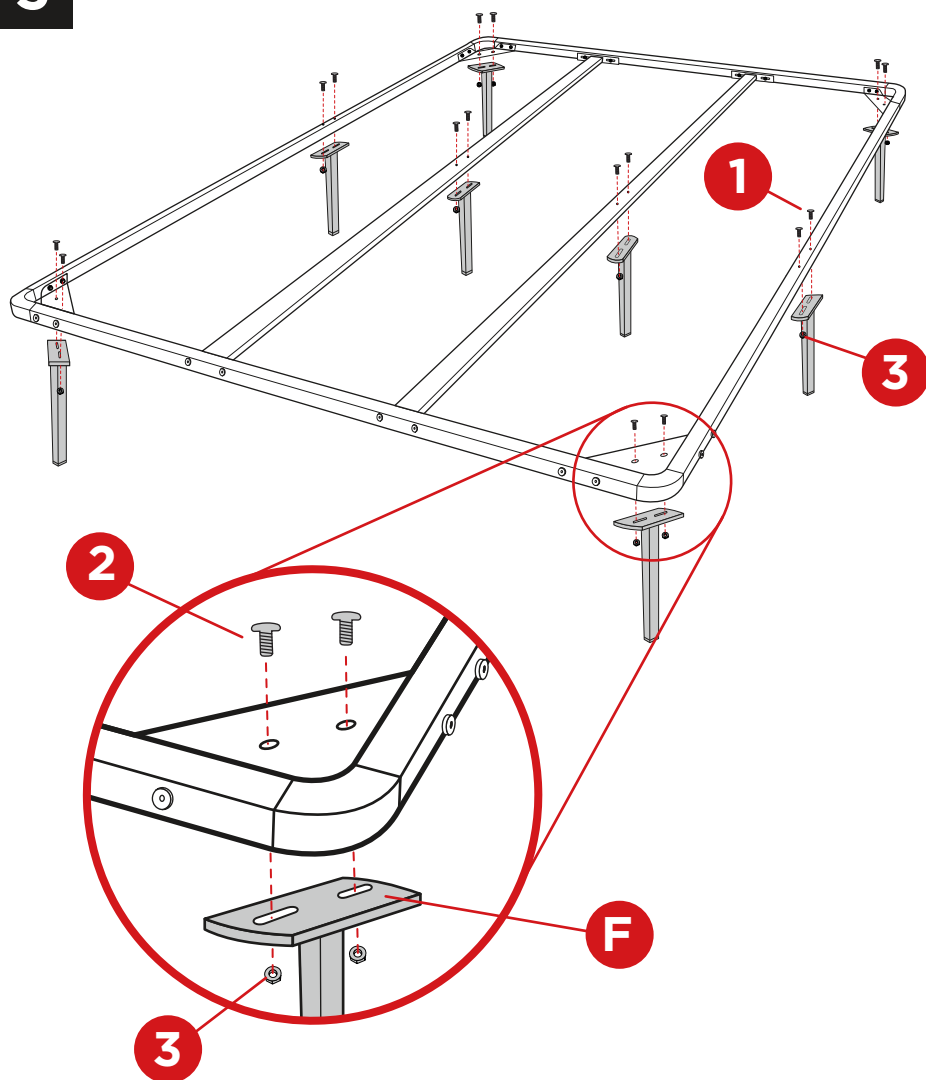
2

Attach the part C middle frames to the part B short frames with eight part 1 bolts and eight part 3 nuts, four nuts and bolts per middle frame piece



Attach a part E bracket to each corner with four part 1 bolts and four part 3 nuts per bracket

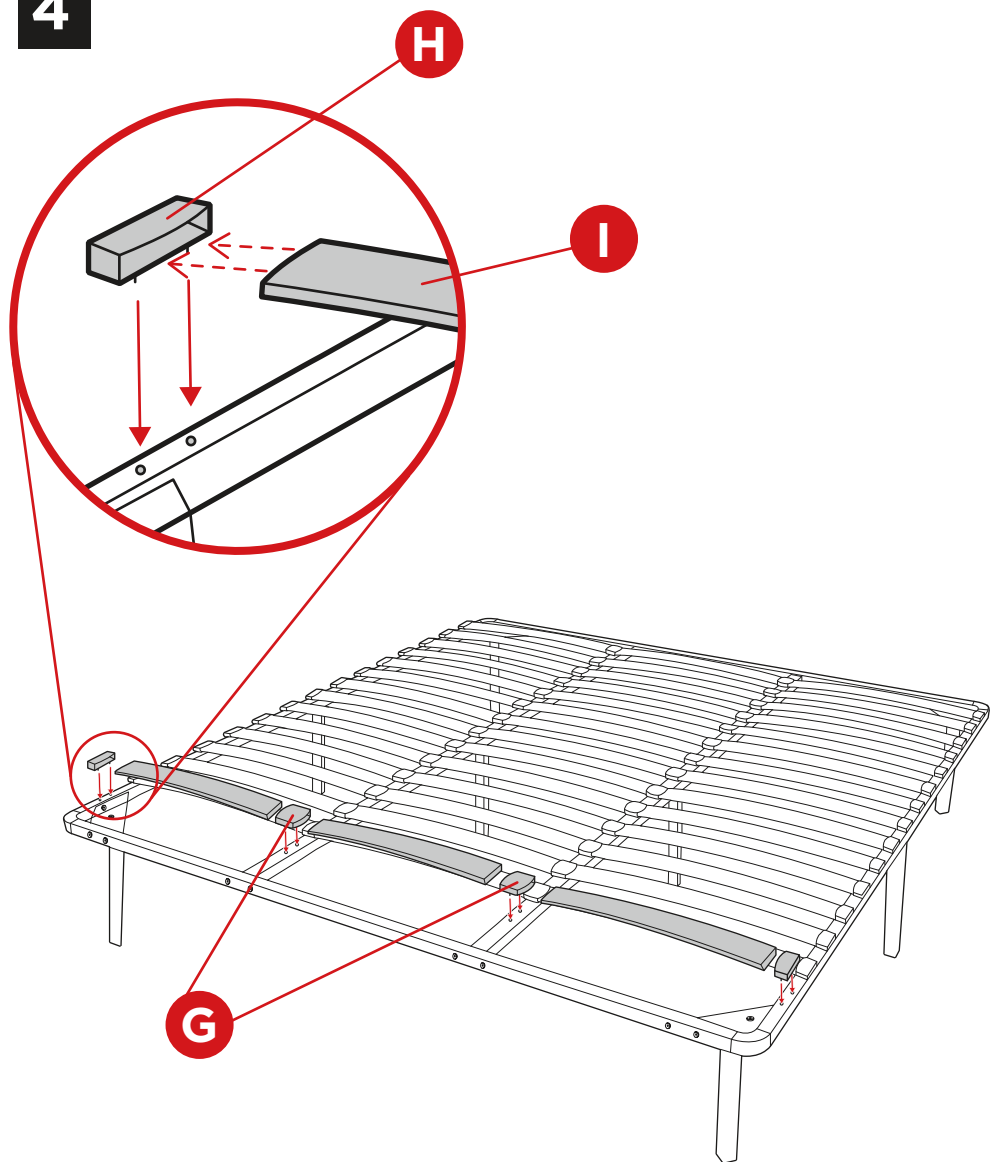
3



Attach a part F leg to each part E bracket with two part 2 bolts and two part 3 nuts per bracket.

Attach the four remaining legs to the long frames and middle frames with two part 1 bolts and two part 3 nuts per leg.

4

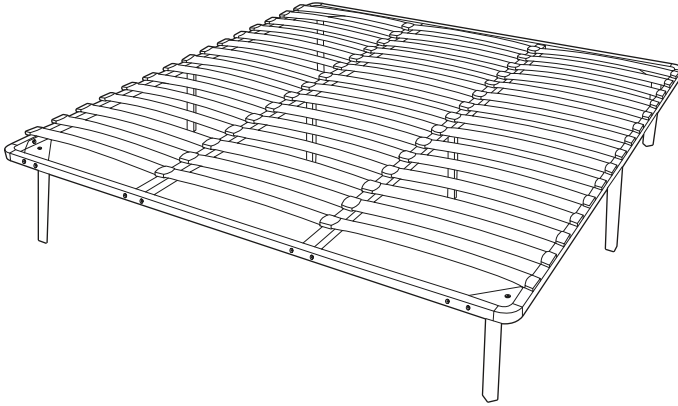


Install the 45 part I panels with thirty part G middle connectors and thirty part H side connectors.

NOTE: Arrange the side connectors on the two long frames and the middle connectors on the two middle frames.

ENJOY YOUR PRODUCT!

bcp



PRODUCT WARRANTY INFORMATION

All items can be returned for any reason within 60 days of the receipt and will receive a full refund as long as the item is returned in its original product packaging and all accessories from its original shipment are included. All returned items will receive a full refund back to the original payment method. All returned items will not be charged a re-stocking fee.

All returned items require an RA (Return Authorization) number, which can only be provided by a Best Choice Products Customer Service Representative when the return request is submitted. Items received without an RA may not be accepted or may increase your return processing time. Once an item has been received by Best Choice Products, refunds or replacements will be processed within 5 business days.

All returns must be shipped back to the Best Choice Products Return Center at the customer's expense. If the reason for return is a result of an error by Best Choice Products then Best Choice Products will provide a pre-paid shipping label via email. Boxes for return shipping will not be provided by Best Choice Products, and is the customer's responsibility to either use the original shipping boxes or purchase new boxes.

Pictures may be required for some returns to ensure an item is not damaged prior to its return. Items returned are not considered undamaged until they are received by Best Choice Products and verified as such. All damages to items are the customer's responsibility until the item has been received by and acknowledge by Best Choice Products as undamaged.

CONTACT US; WE'RE HERE 7 DAYS A WEEK TO HELP YOU!



bestchoiceproducts.com



customerservice@bestchoiceproducts.com



844.948.8400



[LEARN MORE!](#)

WARNING

Manufacturer and seller expressly disclaim any and all liability for personal injury, property damage or loss, whether direct, indirect, or incidental, resulting from the incorrect attachment, improper use, inadequate maintenance, or neglect of this product.