



bestchoiceproducts



# INSTRUCTION MANUAL

---

Mesh Computer  
Office Chair



**bestchoiceproducts**

---

Thank you for choosing us! Since 2002, Best Choice Products has been bringing customers high-quality products at the absolute lowest price. With everything ranging from instruments and toys to furniture and outdoor, we've got your everyday living essentials covered. We're centered around a customer-first philosophy – with free shipping, exceptional customer service, and a catalog sourced with you in mind.

---

## ! NOTICE

Please retain these instructions for future reference.

- Do not stand on or use any part of this item as a step ladder.
- Firmly secure all bolts, screws and knobs before use.
- Reconfirm that all bolts, screws, and knobs are secure every 90 days.
- Do not use or store this item in the proximity of open flame or flammable/ combustible chemicals.
- If any parts are missing, broken, damaged, or worn, stop using this product until repairs are made and/or factory replacement parts are installed.
- Do not use this item in a way inconsistent with the manufacturer's instructions as this could void the product warranty.
- This chair has a weight capacity of 250 lbs. Please do not exceed that amount of weight on the chair.
- This product contains small parts for assembly. Keep small children and pets away while assembling this chair.

## TOOLS REQUIRED



ALLEN WRENCH  
(PROVIDED)



250 LBS  
CAPACITY



1 PERSON  
ASSEMBLY



APPROXIMATELY  
25 MIN.  
ASSEMBLY

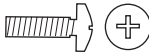
## HARDWARE

**1** 6x20 SCREWS



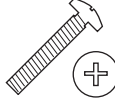
4 PCS

**2** 6x25 SCREWS



8 PCS

**3** 6x35 SCREWS



8 PCS

**4**



8 PCS

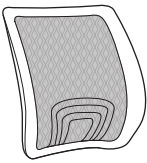
**5**



4 PCS

## PARTS

**A** BACK



1 PC

**B** SEAT



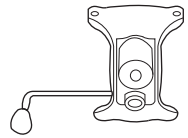
1 PC

**C** ARMREST



2 PCS

**D** ADJUSTMENT  
MECHANISM



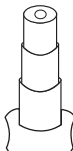
1 PC

**E** GAS LIFT



1 PC

**F** GAS LIFT COVER



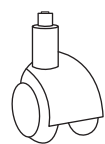
1 PC

**G** BASE



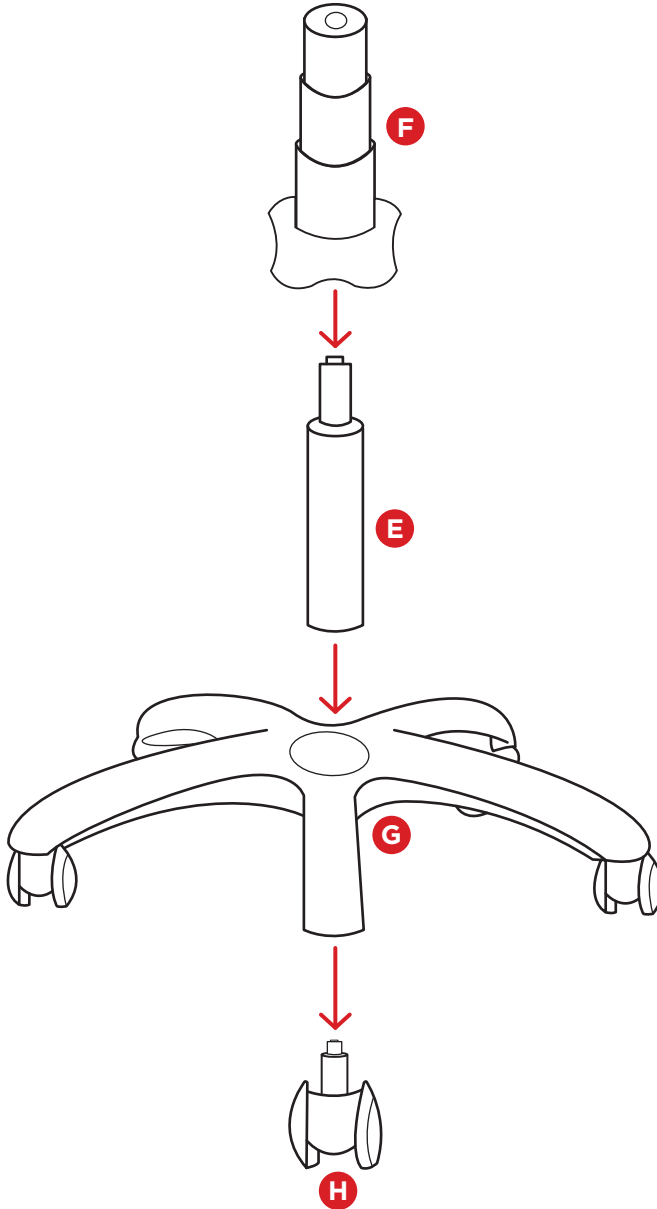
1 PC

**H** CASTER



5 PCS

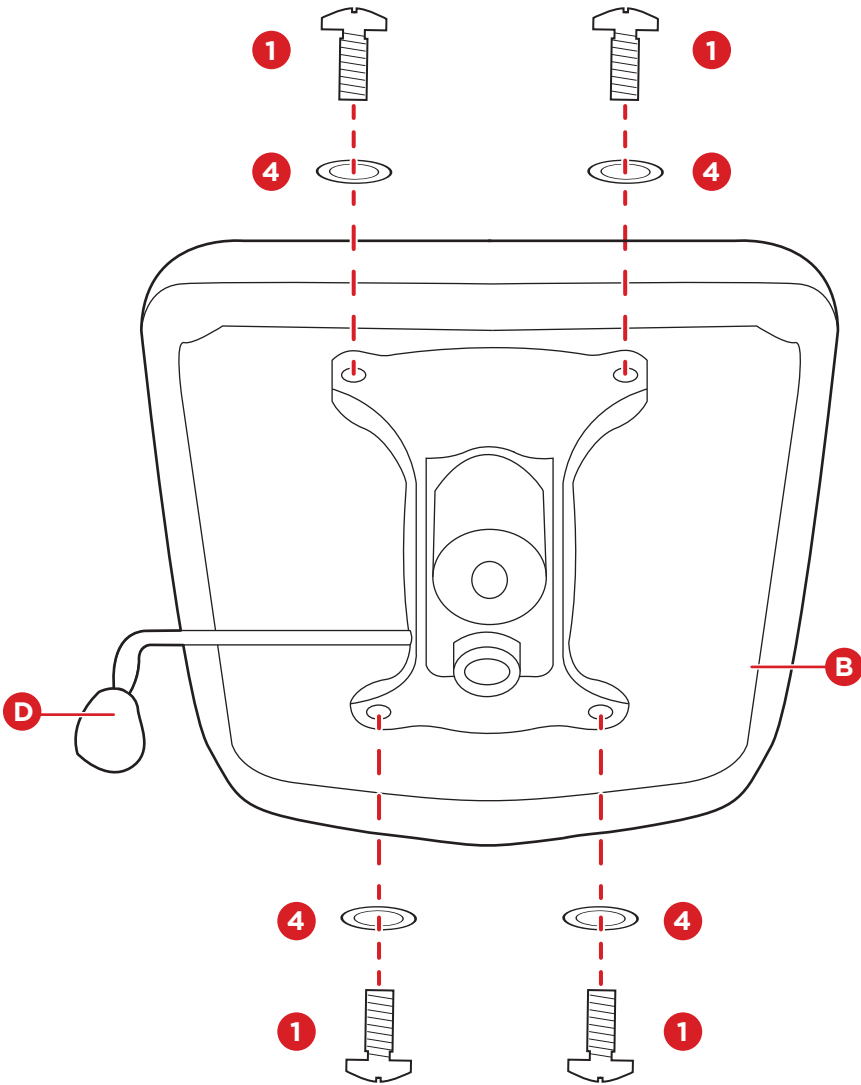
**1**



Attach the five part H casters to the part G base.

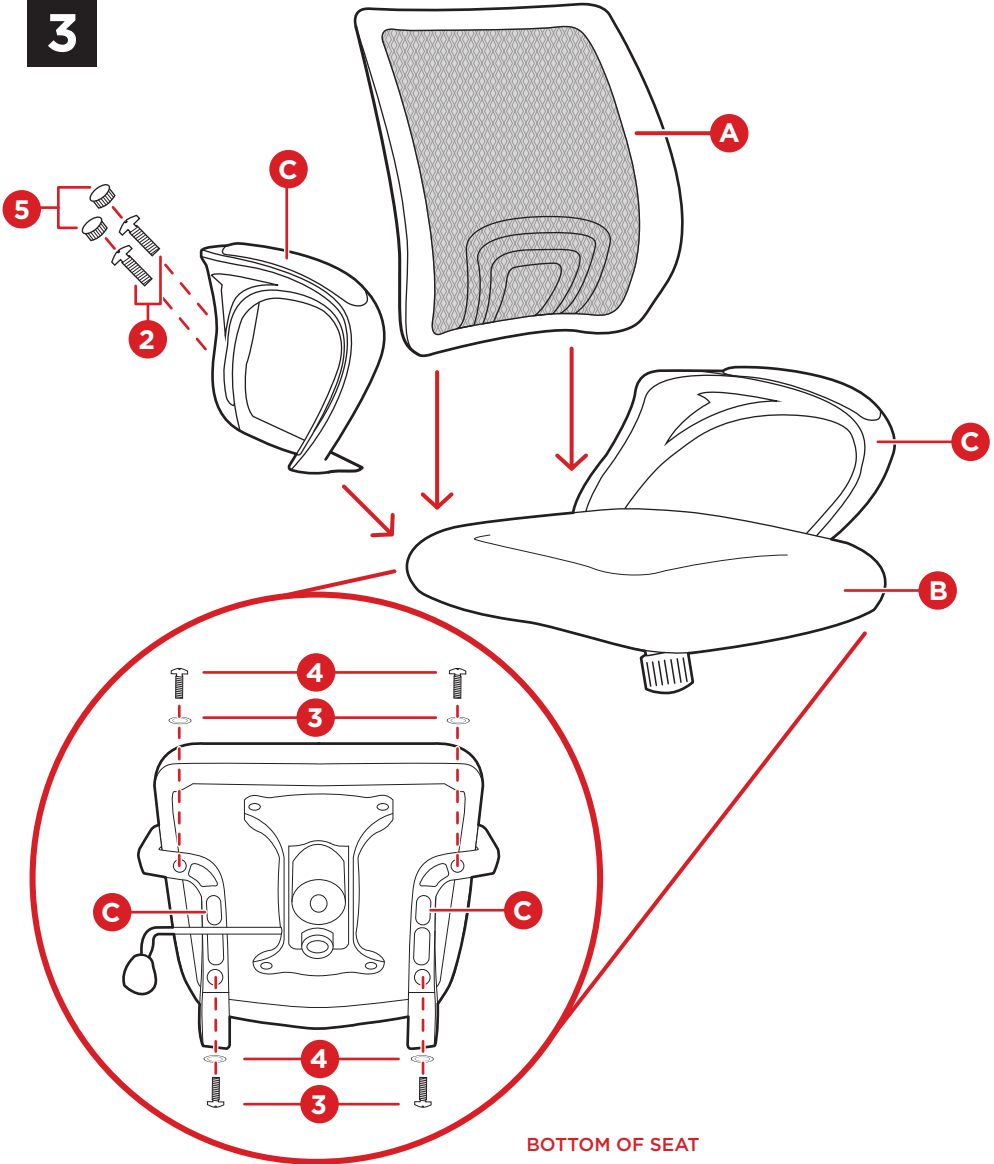
Insert the part E gas lift into the base. Slide the part F gas lift cover over the gas lift.

2



Flip over part B seat. Attach the part D adjustment mechanism to the seat with four part 1 screws and four part 4 washers.

**3**

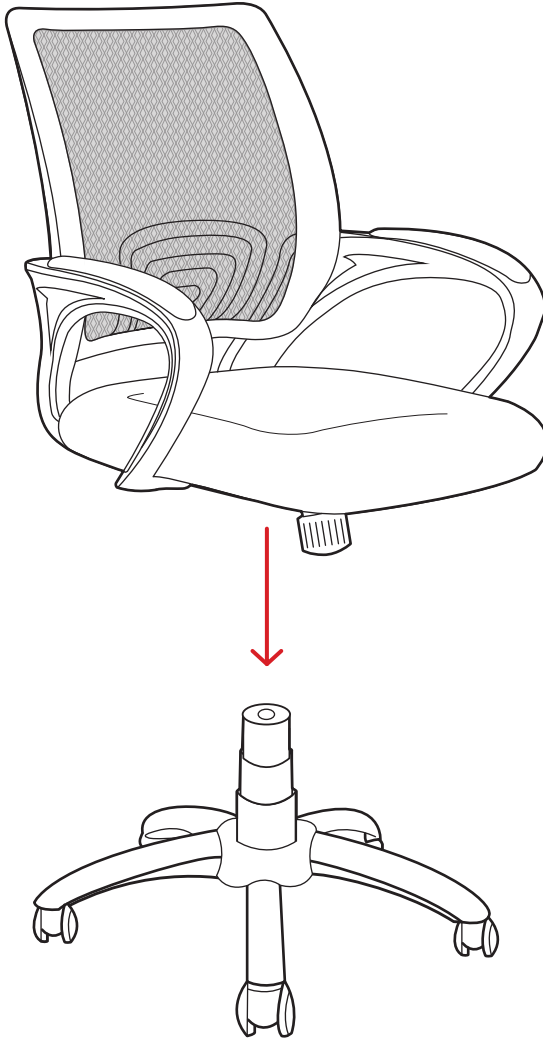


**BOTTOM OF SEAT**

Attach a part C armrest to the underside of the seat with two part 3 screws and two part 4 washers. Repeat on the other side to attach the other armrest.

Secure the armrests to the part A backrest with four part 2 screws, two on each armrest. Cover the screws with four part 5 caps.

4



Use two hands to press the chair onto the assembled base/gas lift.  
*Note: Make sure to apply even pressure when combining the chair and base.*

**ASSEMBLY IS COMPLETE!**

bcp



## PRODUCT WARRANTY INFORMATION

All items can be returned for any reason within 60 days of the receipt and will receive a full refund as long as the item is returned in its original product packaging and all accessories from its original shipment are included. All returned items will receive a full refund back to the original payment method. All returned items will not be charged a re-stocking fee.

All returned items require an RA (Return Authorization) number, which can only be provided by a Best Choice Products Customer Service Representative when the return request is submitted. Items received without an RA may not be accepted or may increase your return processing time. Once an item has been received by Best Choice Products, refunds or replacements will be processed within 5 business days.

All returns must be shipped back to the Best Choice Products Return Center at the customer's expense. If the reason for return is a result of an error by Best Choice Products then Best Choice Products will provide a pre-paid shipping label via email. Boxes for return shipping will not be provided by Best Choice Products, and is the customer's responsibility to either use the original shipping boxes or purchase new boxes.

Pictures may be required for some returns to ensure an item is not damaged prior to its return. Items returned are not considered undamaged until they are received by Best Choice Products and verified as such. All damages to items are the customer's responsibility until the item has been received by and acknowledge by Best Choice Products as undamaged.

## CONTACT US; WE'RE HERE 7 DAYS A WEEK TO HELP YOU!



[bestchoiceproducts.com](https://www.bestchoiceproducts.com)



[customerservice@bestchoiceproducts.com](mailto:customerservice@bestchoiceproducts.com)



844.948.8400



[LEARN MORE!](#)

## **WARNING**

Manufacturer and seller expressly disclaim any and all liability for personal injury, property damage or loss, whether direct, indirect, or incidental, resulting from the incorrect attachment, improper use, inadequate maintenance, or neglect of this product.