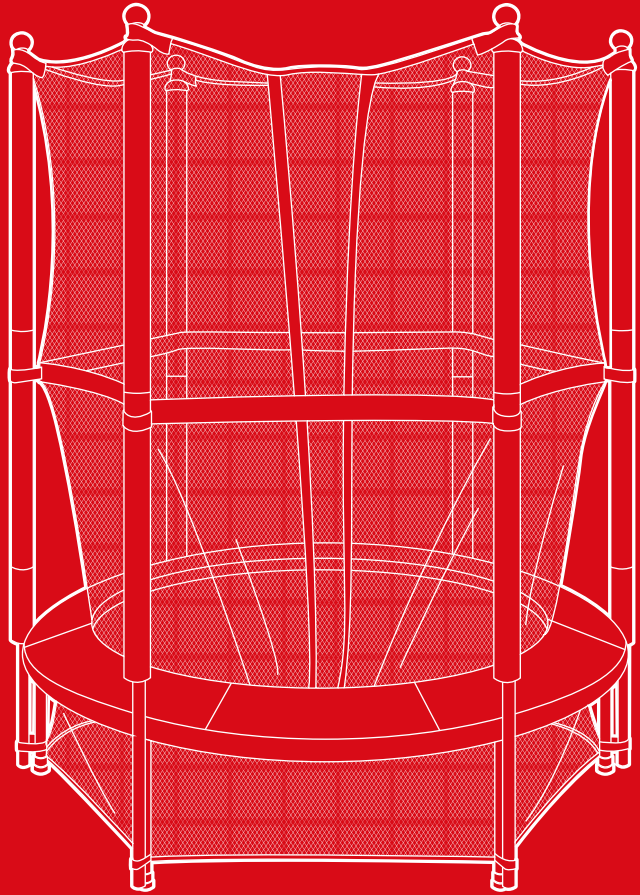




bestchoiceproducts



INSTRUCTION MANUAL

Kids Trampoline and Enclosure



bestchoiceproducts

Thank you for choosing us! Since 2002, Best Choice Products has been bringing customers high-quality products at the absolute lowest price. With everything ranging from instruments and toys to furniture and outdoor, we've got your everyday living essentials covered. We're centered around a customer-first philosophy - with free shipping, exceptional customer service, and a catalog sourced with you in mind.

NOTICE

- Adult assembly is required.
- This trampoline is for outdoor use only.
- Only use this with adult supervision.
- No more than one person at a time may jump on this trampoline.
- Do not perform somersaults or flips as this may increase the risk of injury.

Age Range: 3 to 10 years old

WARNING

- Misuse and abuse of this trampoline is dangerous and can cause serious injury.
- Check the screws, frame and the trampoline bed for any defects before use.
- Always inspect the trampoline before each use for wear on the mat and loose or missing parts.
- Only jump with bare feet, or socks on the trampoline.
- Ensure that the trampoline is placed on level ground, not less than 8 feet from any structure or obstruction such as a fence, garage, house, over-hanging branches, laundry lines or electrical wires.
- Do not install trampoline over concrete, asphalt, padded earth or any other hard surface.
- Maintain a clear area around, above, and under the enclosure while the trampoline is in use.
- Do not attach items to the trampoline as they may cause a strangulation hazard.
- Packing materials are not toys. Remove all packing and packing tags/wires before giving this toy to your child.
- This trampoline is designed for home use only.
- Do not place the trampoline under a canopy of surrounding trees.
- Do not use trampoline in darkness or low light.
- Do not put any objects on the trampoline.
- Do not allow any objects or people underneath the trampoline.
- Do not put animals on the trampoline.
- Do not use if suffering from injury or if you are pregnant.
- Empty your pockets and remove glasses, watches, jewelry and chains, ornaments, clasps and other sharp objects before starting to jump.
- Do not smoke while using the trampoline.
- Climb on and off the trampoline. Do not use the trampoline as a springboard.
- To stop bouncing, flex your knees while your feet are in contact with the bed.
- Avoid bouncing too high; maintain control while jumping.
- Bounce in the center of the trampoline bed.
- Avoid bouncing if you are over-exhausted.
- Keep objects away which could interfere with the person jumping.
- Do not use the trampoline while under the influence of alcohol or drugs.
- Do not use when trampoline is wet or in windy conditions.

NOTICE TO ADULT SUPERVISOR

- The supervisor must strictly enforce the safety rules and be familiar with all the information provided in the owner's manual prior to allowing any user on the trampoline.
- Children must not crawl under or try to enter the enclosure while the trampoline is in use.
- Never allow supervision of the trampoline by someone who is under the influence of alcohol or drugs.
- Children must always grip the enclosure struts firmly with both hands when entering and exiting the trampoline enclosure.
- It is recommended that children focus their eyes on the edge of the trampoline to help control their bounce.
- Routinely check all nuts and bolts for tightness.
- Check that all elastic loops are intact and cannot come undone during play.
- If any parts are missing, broken, damaged, or worn, stop using this product until repairs are made and/or factory replacement parts are installed.
- Do not use this item in a way inconsistent with the manufacturer's instructions as this could void the product warranty.
- Do not allow anyone to use the trampoline unsupervised, regardless of the skill or age of the trampoline user.

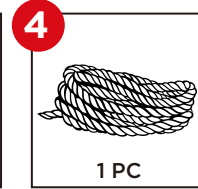
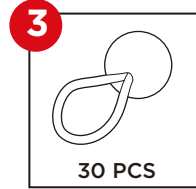
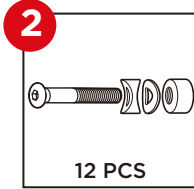
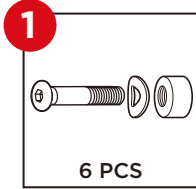
TOOLS REQUIRED



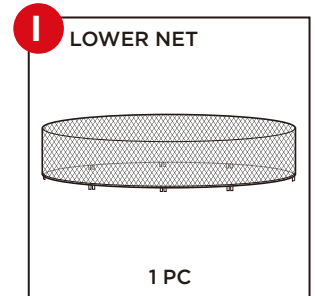
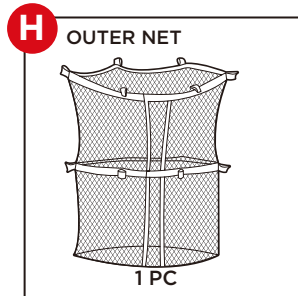
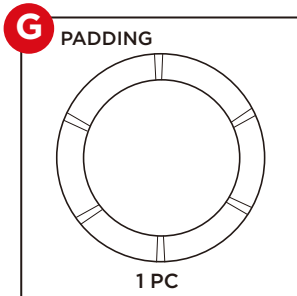
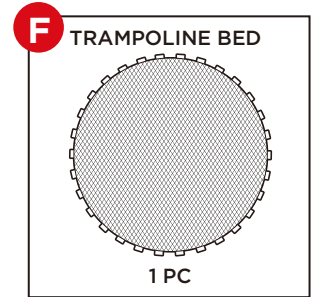
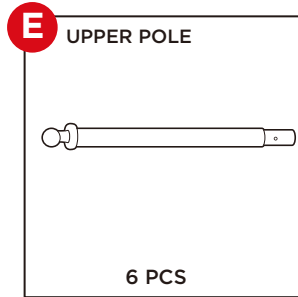
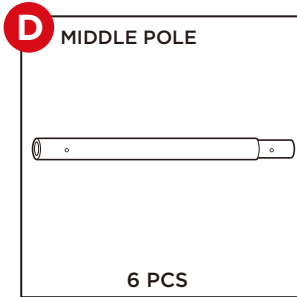
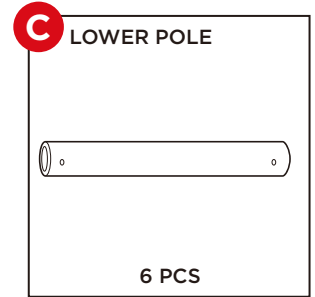
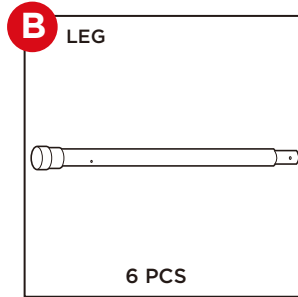
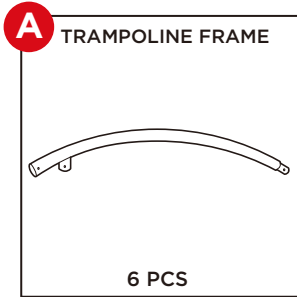
121 LBS
CAPACITY



HARDWARE



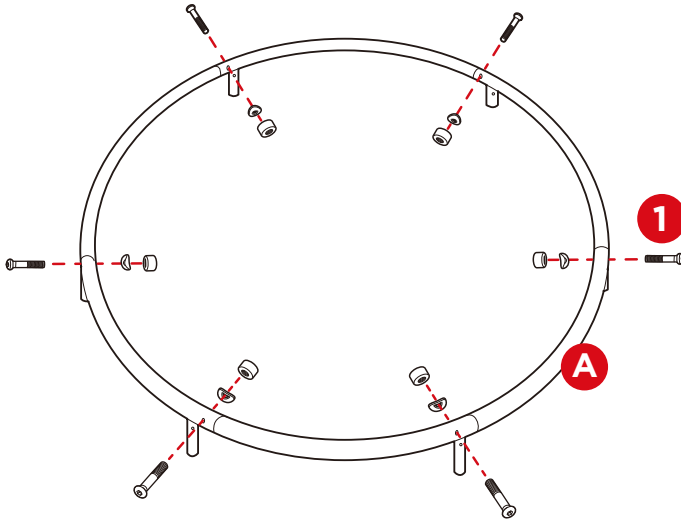
PARTS



PRODUCT ASSEMBLY

Please retain these instructions for future reference.

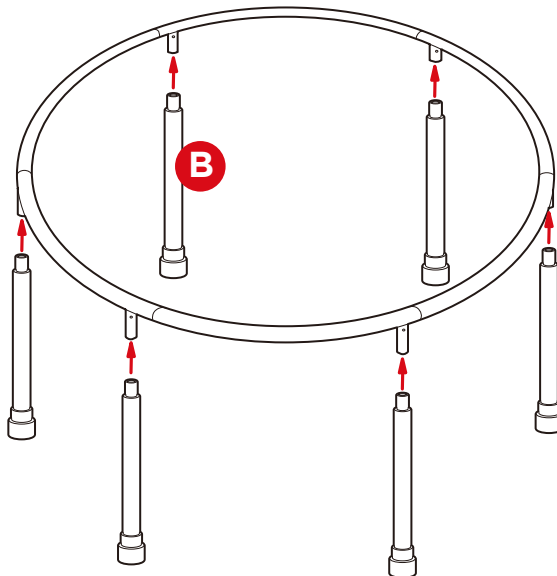
1



Join the six part A trampoline frame pieces together to form a circle. Secure the frame pieces with six part 1 nut, bolt, and washer sets.

Note: Apply downward pressure while joining the trampoline frame pieces together.

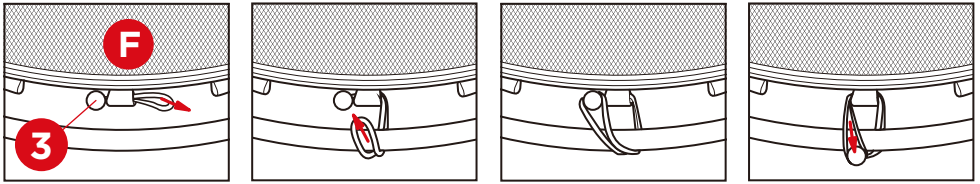
2



Insert the six part B legs into the trampoline frame. Do not insert screws into the legs yet.

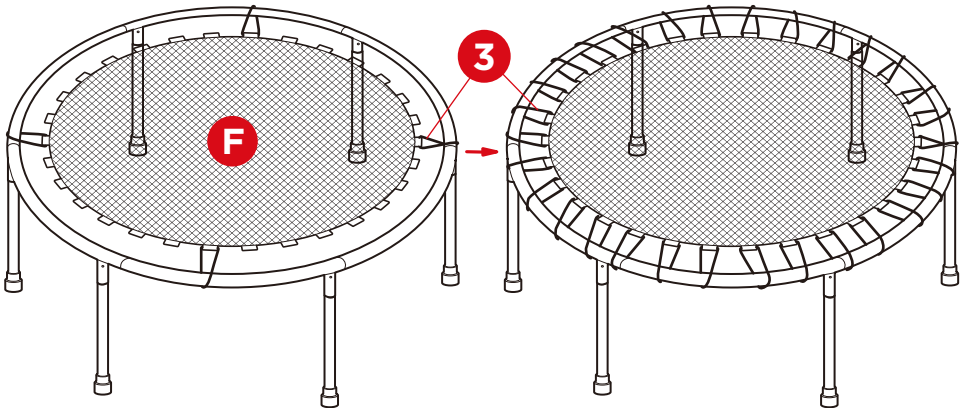
PRODUCT ASSEMBLY

3

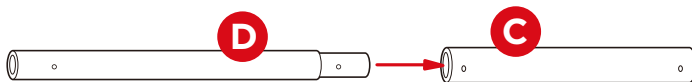


Attach the part F trampoline bed to the frame with thirty part 3 elastic loops. Every part A trampoline piece should have five elastic loops.

Note: Start by attaching the diagonals and then fill in the edge evenly.



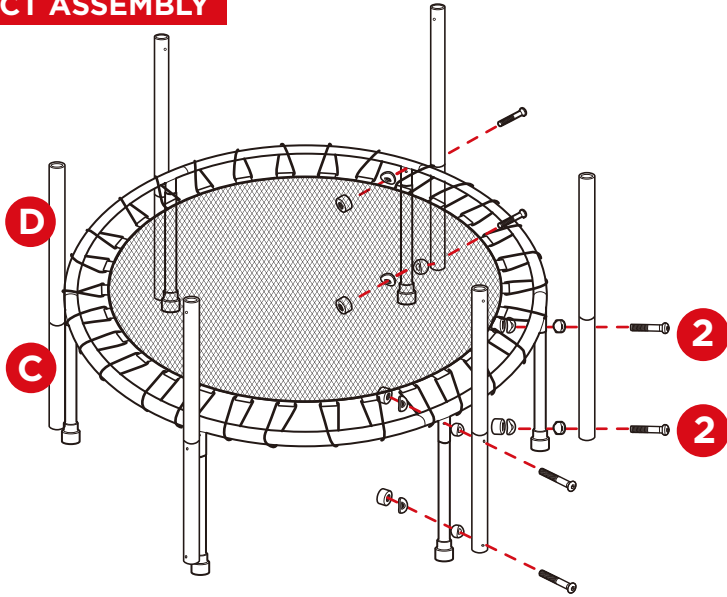
4



Insert the six part D middle poles into the six part C lower poles.

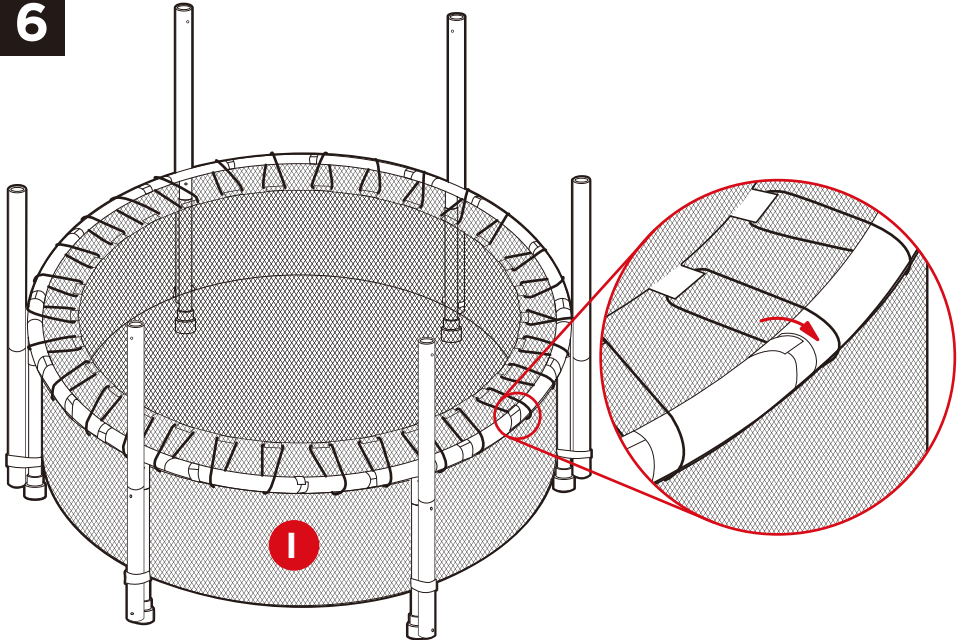
PRODUCT ASSEMBLY

5



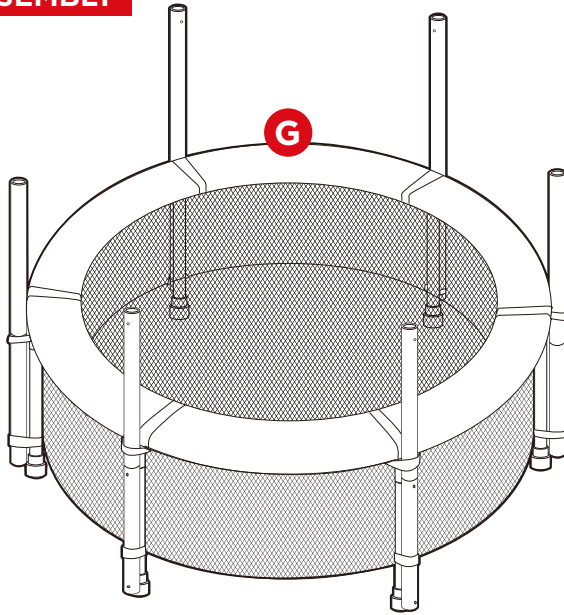
Attach the six part C and D poles to the outside of the legs with two part 2 nut, bolt, washer, and spacer sets per leg. Note: Do not overtighten the bolts.

6



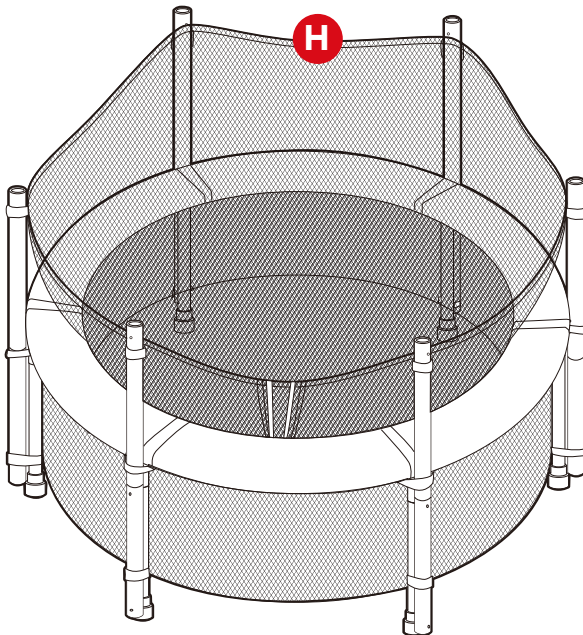
Attach the part I lower net to the bottom of the trampoline. Use the attached Velcro® straps and loops to secure it to the frame and legs.

7



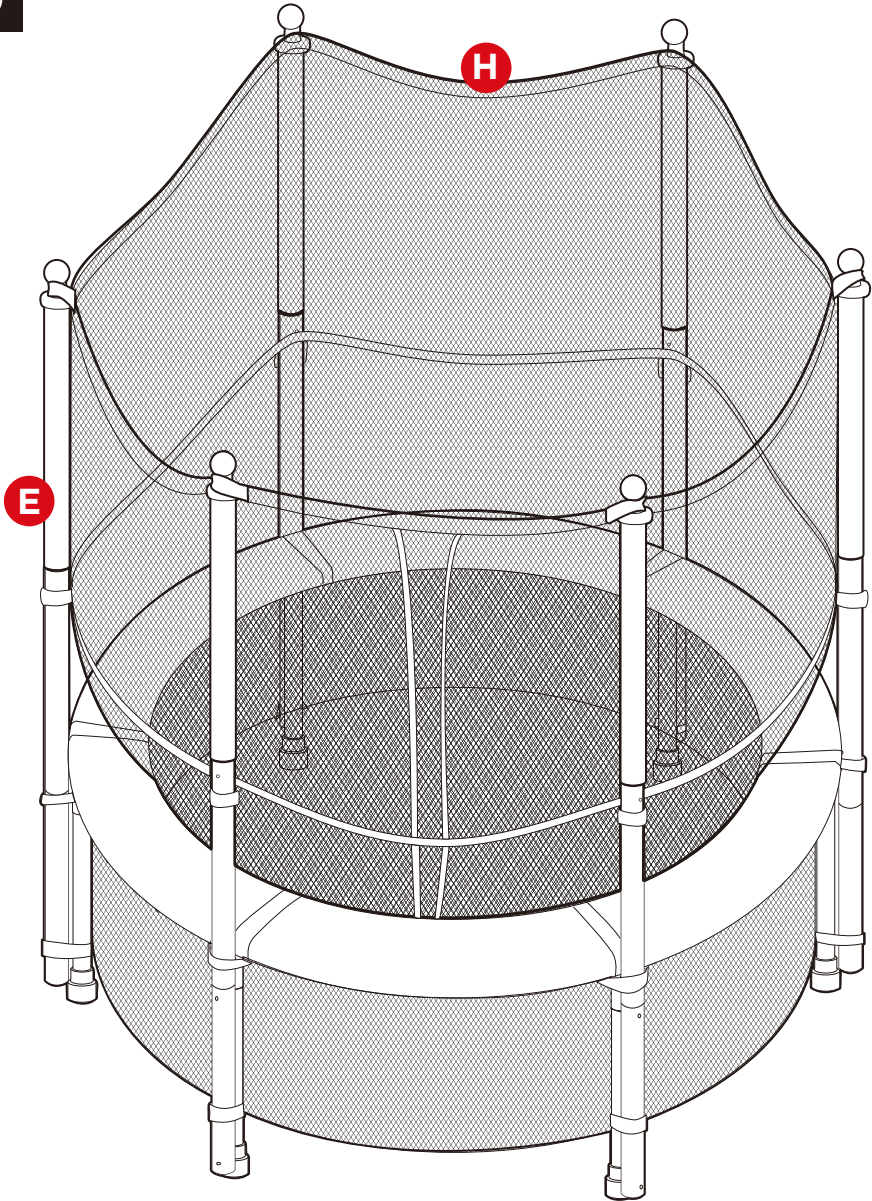
Place the part G padding over the edge of the trampoline and use the loops to secure it to the poles. Make sure that all the metal frame is covered.

8



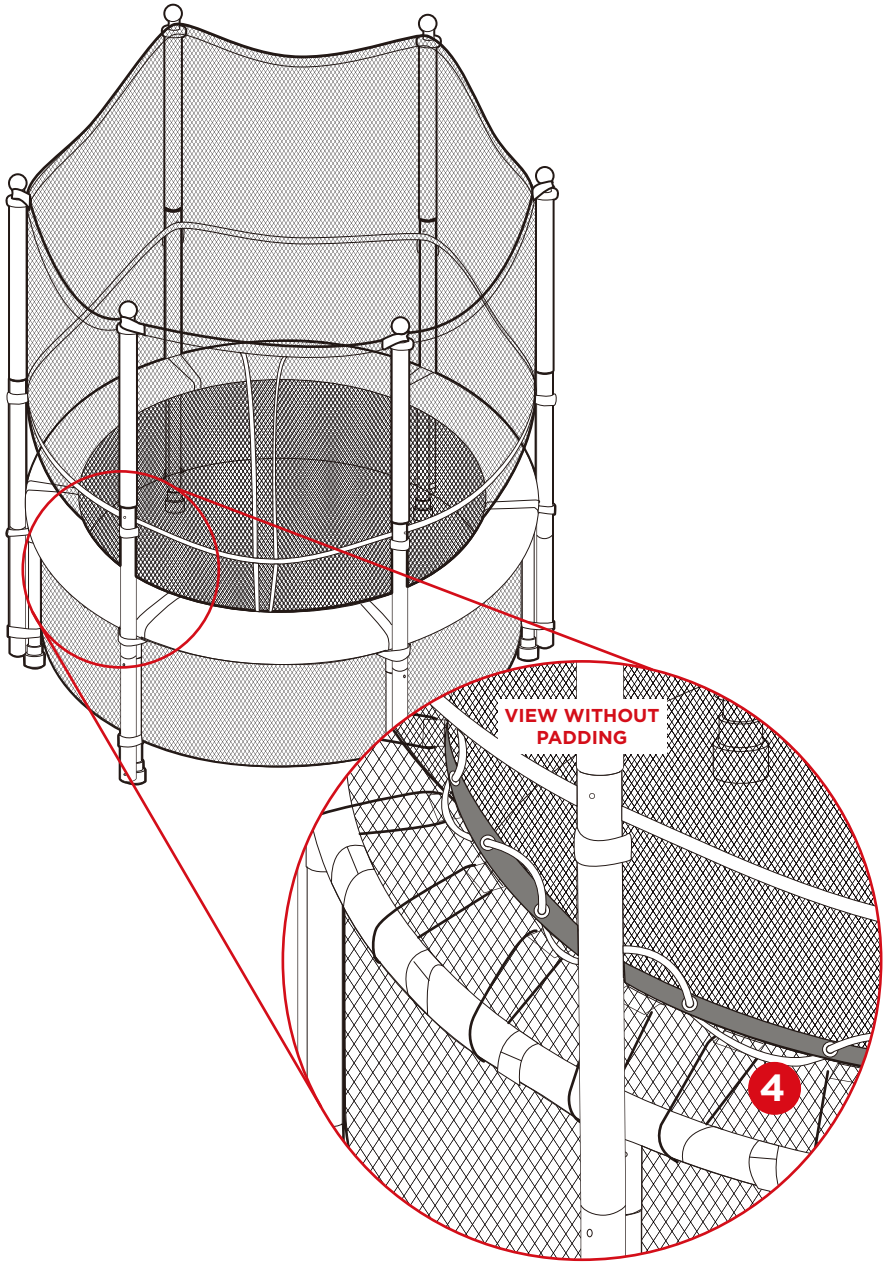
Attach the part H outer net to the part D middle poles with the provided loops.

9



Insert six part E upper poles into the part D middle poles. Attach the top of the part H outer net to the upper poles with the provided loops.

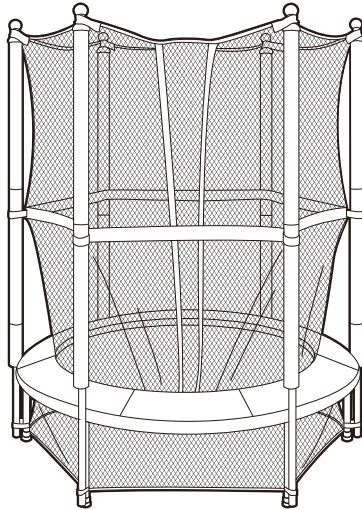
10



Route the part 4 rope through the holes on the edge of the part F trampoline bed and part H outer net.

ASSEMBLY COMPLETE!

bcp



PRODUCT WARRANTY INFORMATION

All items can be returned for any reason within 60 days of the receipt and will receive a full refund as long as the item is returned in its original product packaging and all accessories from its original shipment are included. All returned items will receive a full refund back to the original payment method. All returned items will not be charged a re-stocking fee.

All returned items require an RA (Return Authorization) number, which can only be provided by a Best Choice Products Customer Service Representative when the return request is submitted. Items received without an RA may not be accepted or may increase your return processing time. Once an item has been received by Best Choice Products, refunds or replacements will be processed within 5 business days.

All returns must be shipped back to the Best Choice Products Return Center at the customer's expense. If the reason for return is a result of an error by Best Choice Products then Best Choice Products will provide a pre-paid shipping label via email. Boxes for return shipping will not be provided by Best Choice Products, and is the customer's responsibility to either use the original shipping boxes or purchase new boxes.

Pictures may be required for some returns to ensure an item is not damaged prior to its return. Items returned are not considered undamaged until they are received by Best Choice Products and verified as such. All damages to items are the customer's responsibility until the item has been received by and acknowledge by Best Choice Products as undamaged.

CONTACT US; WE'RE HERE 7 DAYS A WEEK TO HELP YOU!



bestchoiceproducts.com



customerservice@bestchoiceproducts.com



844.948.8400



[LEARN MORE!](#)

WARNING

Manufacturer and seller expressly disclaim any and all liability for personal injury, property damage or loss, whether direct, indirect, or incidental, resulting from the incorrect attachment, improper use, inadequate maintenance, or neglect of this product.