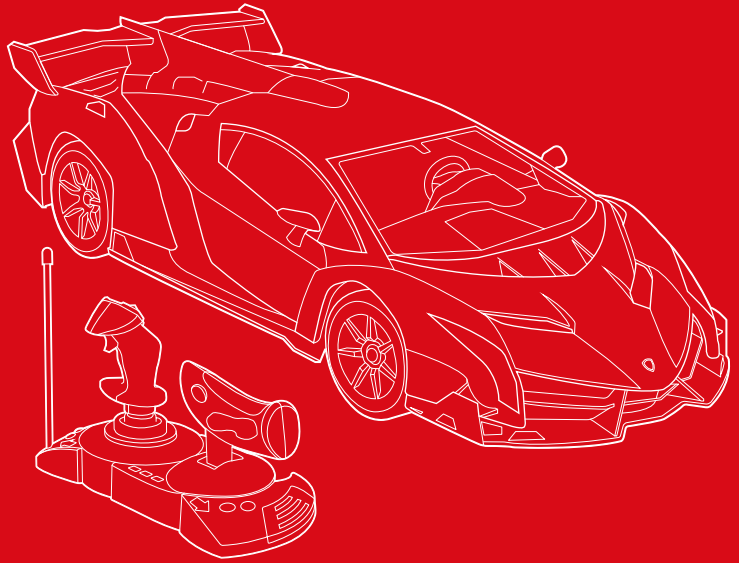




bestchoiceproducts



INSTRUCTION MANUAL

1:14 Scale Lamborghini Veneno



bestchoiceproducts

Thank you for choosing us! Since 2002, Best Choice Products has been bringing customers high-quality products at the absolute lowest price. With everything ranging from instruments and toys to furniture and outdoor, we've got your everyday living essentials covered. We're centered around a customer-first philosophy – with free shipping, exceptional customer service, and a catalog sourced with you in mind.

NOTICE

Please retain these instructions for future reference.

- Do not operate this model in the vicinity of another model using the same frequency, otherwise the radio signals may interfere with each other.
- Make sure that batteries are inserted in the correct polarity.
- Avoid exposure to direct sunlight and excessive heat.
- If any parts are missing, broken, damaged, or worn, stop using this item until repairs are made and/or factory replacement parts are installed.
- Do not use this item in a way inconsistent with the manufacturer's instructions as this could void the product warranty.

REQUIRED



PHILLIPS
SCREWDRIVER



5 RECHARGABLE
AA BATTERIES
(PROVIDED)



4 AAA BATTERIES



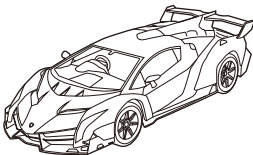
1 PERSON
ASSEMBLY



APPROXIMATELY
10 MIN.
SETUP

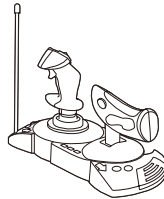
PARTS

A R/C CAR



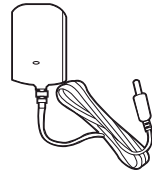
1 PC

B REMOTE CONTROL



1 PC

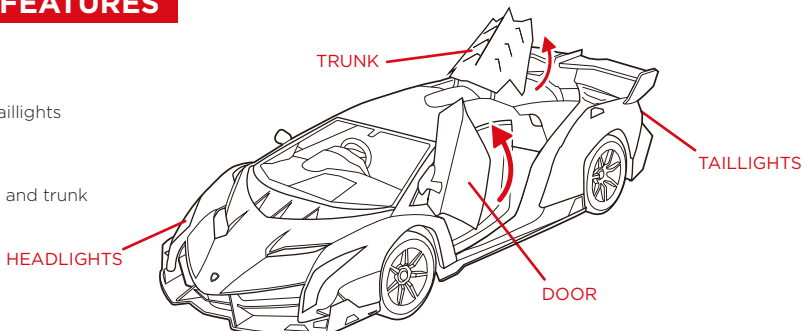
C CHARGER



1 PC

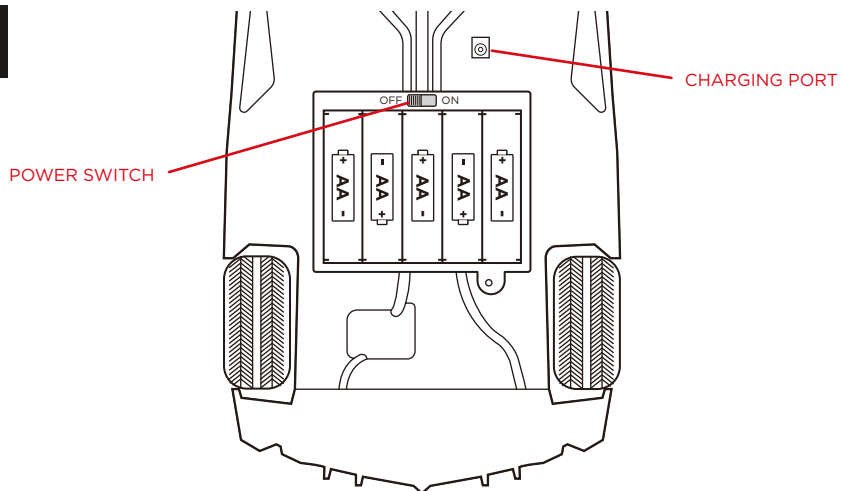
R/C CAR FEATURES

- 1:14 Scale
- Headlights and taillights
- Engine sounds
- Functional doors and trunk



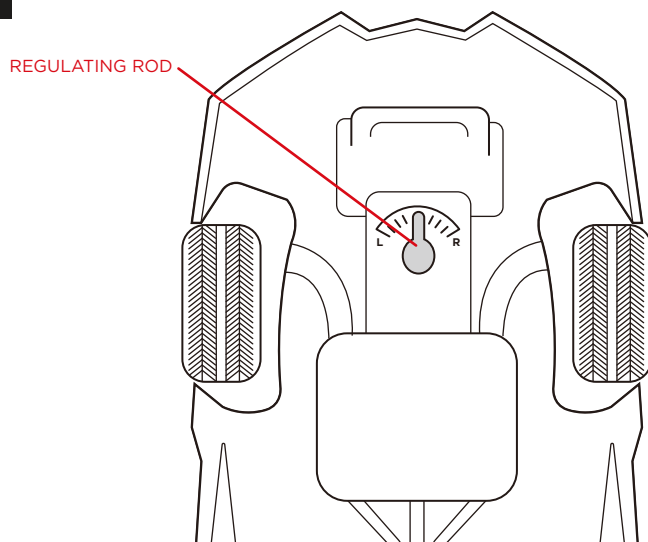
PREPARING TO DRIVE

1



Remove the battery cover underneath the car and insert 5 rechargeable AA batteries. Replace the battery cover. Turn on the power switch underneath the car.

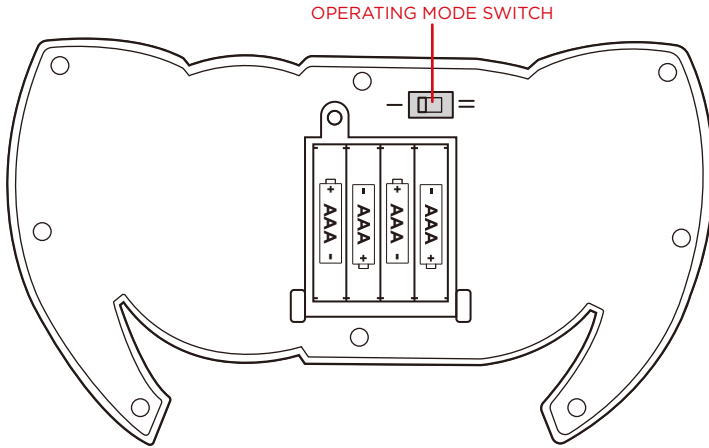
2



Adjust the regulating rod (trim) to make sure the car drives in a straight line.

PREPARING TO DRIVE

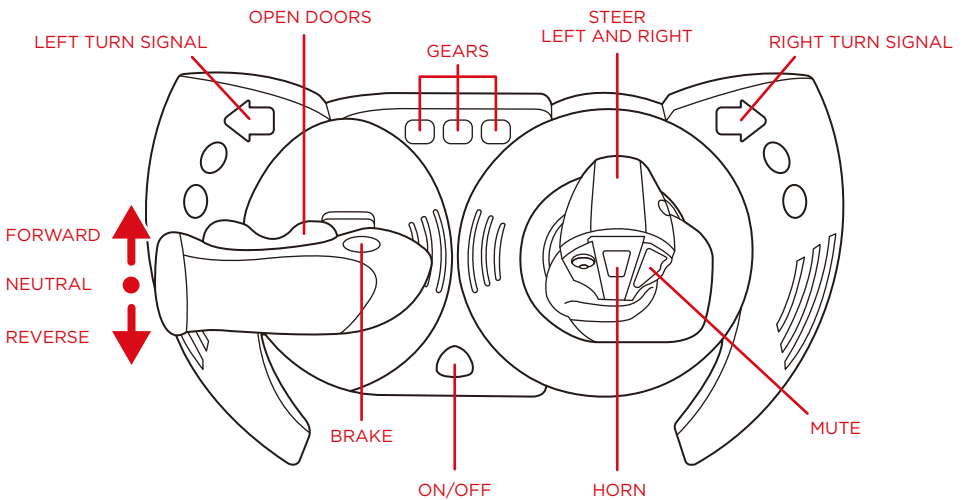
3



Remove the battery cover on the back of the remote and insert 4 AAA batteries. Replace the battery cover. Use the switch on the back of the remote to select your operating mode: normal remote or motion steering.

REMOTE CONTROL

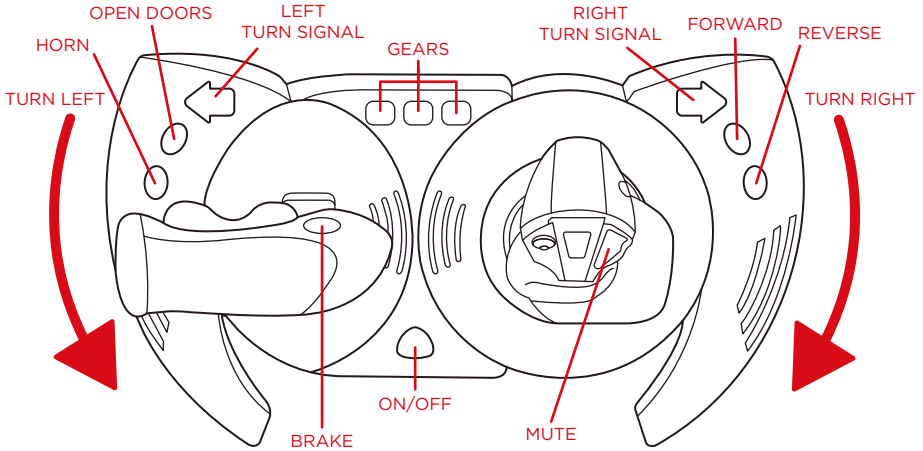
Normal Remote Operation: Use the shifter and joystick to drive the car.



REMOTE CONTROL

NOTE: Use the switch underneath the remote control to switch between normal remote operation and motion steering remote operation.

Motion steering remote operation: Use the built-in gyroscope to turn the car as you tilt the remote.



CLEANING AND STORAGE

- Always switch the car and remote control off after use.
- If unused for a long period of time, remove the batteries.
- Do not use abrasive chemicals to clean the car or remote control.

WARNINGS REGARDING BATTERIES

1. Do not mix alkaline, standard (carbon zinc) and rechargeable (nickel hydride) batteries.
2. Do not mix old and new batteries.
3. Non-rechargeable batteries should not be charged.
4. Rechargeable batteries should be charged under adult supervision only.
5. Exhausted batteries should be removed.
6. The supply terminals should not be short-circuited.
7. Do not put batteries next to or in a heat source (fire, electronic heating device, etc.).
8. Do not hit batteries against hard objects.
9. Do not submerge batteries in water.
10. Batteries should be inserted with the correct polarity.

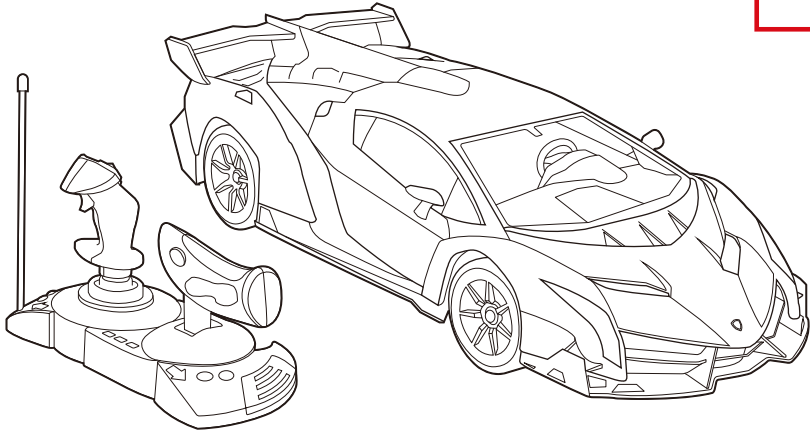


bestchoiceproducts

Check out more great products:
bestchoiceproducts.com

ENJOY YOUR PRODUCT!

bcp



PRODUCT WARRANTY INFORMATION

All items can be returned for any reason within 60 days of the receipt and will receive a full refund as long as the item is returned in its original product packaging and all accessories from its original shipment are included. All returned items will receive a full refund back to the original payment method. All returned items will not be charged a re-stocking fee.

All returned items require an RA (Return Authorization) number, which can only be provided by a Best Choice Products Customer Service Representative when the return request is submitted. Items received without an RA may not be accepted or may increase your return processing time. Once an item has been received by Best Choice Products, refunds or replacements will be processed within 5 business days.

All returns must be shipped back to the Best Choice Products Return Center at the customer's expense. If the reason for return is a result of an error by Best Choice Products then Best Choice Products will provide a pre-paid shipping label via email. Boxes for return shipping will not be provided by Best Choice Products, and is the customer's responsibility to either use the original shipping boxes or purchase new boxes.

Pictures may be required for some returns to ensure an item is not damaged prior to its return. Items returned are not considered undamaged until they are received by Best Choice Products and verified as such. All damages to items are the customer's responsibility until the item has been received by and acknowledge by Best Choice Products as undamaged.

CONTACT US; WE'RE HERE 7 DAYS A WEEK TO HELP YOU!



bestchoiceproducts.com



customerservice@bestchoiceproducts.com



844.948.8400



[LEARN MORE!](#)

WARNING

Manufacturer and seller expressly disclaim any and all liability for personal injury, property damage or loss, whether direct, indirect, or incidental, resulting from the incorrect attachment, improper use, inadequate maintenance, or neglect of this product.