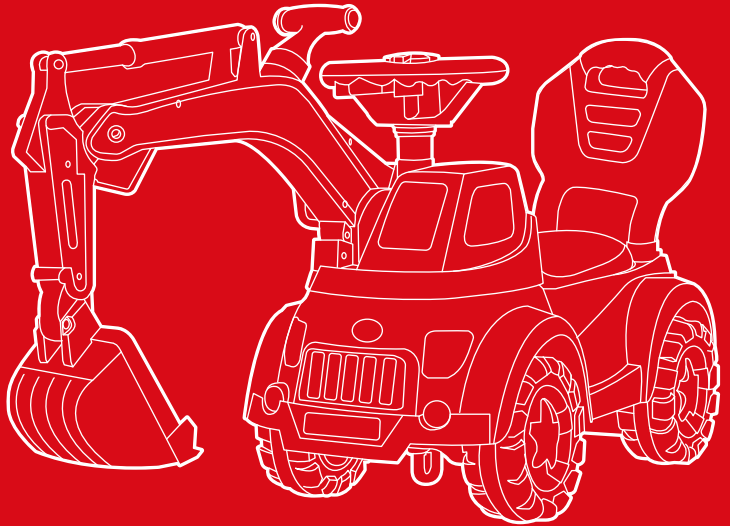




bestchoiceproducts



# INSTRUCTION MANUAL

---

Kids Ride-On Excavator

## SAFETY

Please retain these instructions for future reference.

This vehicle must be assembled by an adult who has read and understood the instructions in this manual. Keep the packaging and bags away from children and dispose of all packaging before use. Always use common sense and safe practices when operating this vehicle.

**NOTE:** For best performance, only use this vehicle on flat and hard surfaces.

**Age Range:** 18 months to 6 years old

**Weight Capacity:** 44 lbs.

The following safety hazards may result in serious injury or death:

- This product contains small parts. Keep children away during assembly.
- This vehicle does not have brakes or braking capability. Do not leave a child unattended during operation. Do not use this in a location that may require braking capability, as this could result in loss of control, which may cause serious injury or death.
- Use of this vehicle near streets, motor vehicles, steps, bodies of water, sloped surfaces, hills, wet areas, flammable vapors, in alleys, at night, or in the dark could result in an unexpected accident.
- Use of this vehicle in unsafe conditions such as snow, rain, loose dirt, mud, sand, or gravel may result in an unexpected accident such as tipping over.

## USER WARNINGS

- Never leave a child unattended.
- Always sit in the seat when using this vehicle.
- Always wear shoes when operating this vehicle.
- Only one rider is allowed on the vehicle at a time
- Toddlers under 18 months cannot use the vehicle.
- Only use this vehicle on level ground.
- Do not go near swimming pools or other bodies of water, drop-offs, or up and down steep inclines.
- Do not drive the vehicle into loose dirt, mud, sand, fine gravel or on wet surfaces.
- Do not drive the vehicle on streets or near cars.

## SPECIFICATIONS

|                    |                              |
|--------------------|------------------------------|
| Overall Dimensions | 34.5"(L) x 12"(W) x 18.5"(H) |
| Weight             | 6.1 lbs.                     |
| Weight Capacity    | 44 lbs.                      |
| Age Range          | 18 months to 6 years old     |
| Material           | Plastic, Metal               |

## TOOLS REQUIRED



PHILLIPS  
SCREWDRIVER



2 AA BATTERIES



44 LBS  
CAPACITY



1 PERSON  
ASSEMBLY



APPROXIMATELY  
25 MIN.  
ASSEMBLY

## HARDWARE

1

SCREW



2 PCS

## PARTS

A

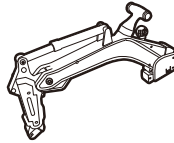
STEERING WHEEL



1 PCS

B

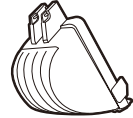
EXCAVATOR ARM



1 PC

C

EXCAVATOR BUCKET



1 PC

D

BACKREST



1 PC

E

WATERING CAN



1 PC

F

SHOVEL



1 PC

G

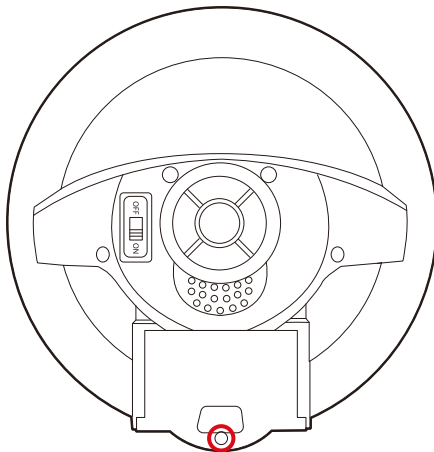
RAKE



1 PC

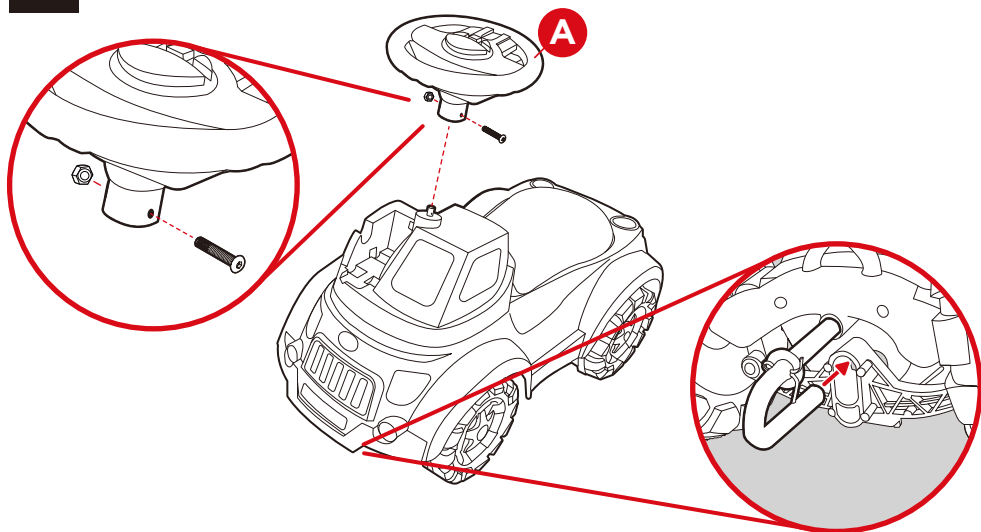
## PRODUCT ASSEMBLY

1



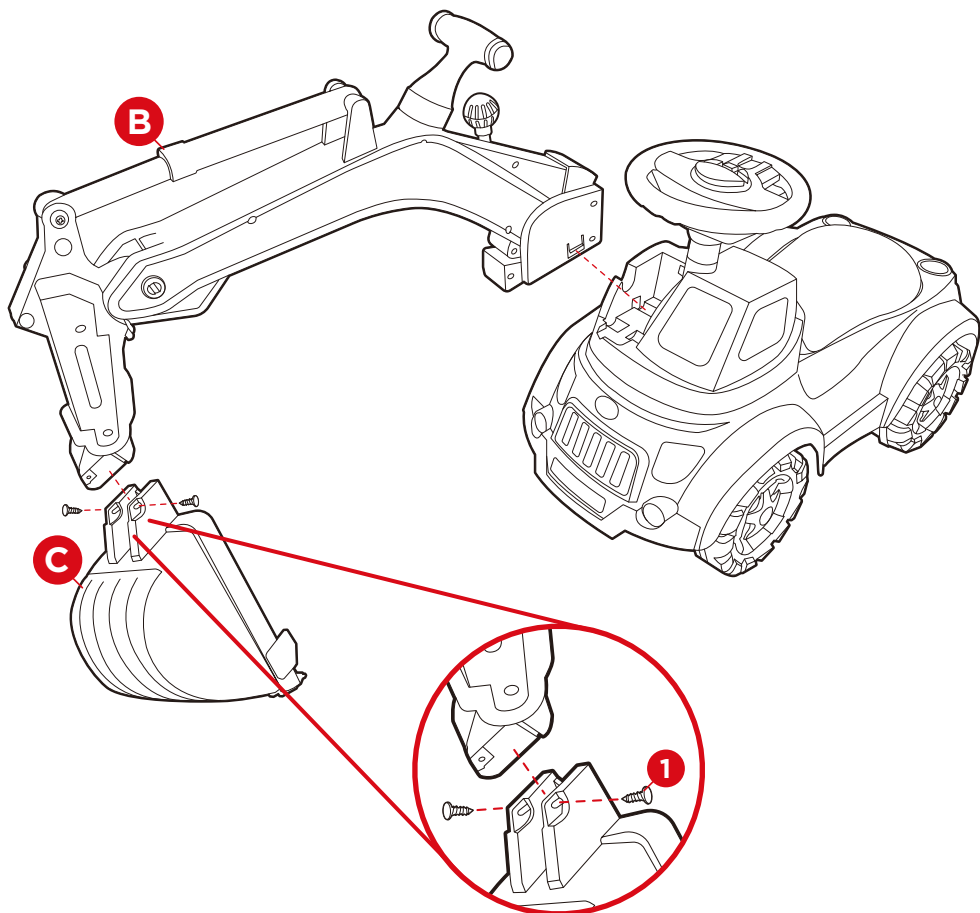
Use a screwdriver to install two AA batteries on the back of the part A steering wheel.

2



Remove the nut and bolt from the steering wheel mount, slide on the steering wheel, and then replace the nut and bolt to secure the steering wheel to the mount. **NOTE:** If the steering wheel mount sinks into the vehicle body during installation, push the mount back up from underneath the vehicle.

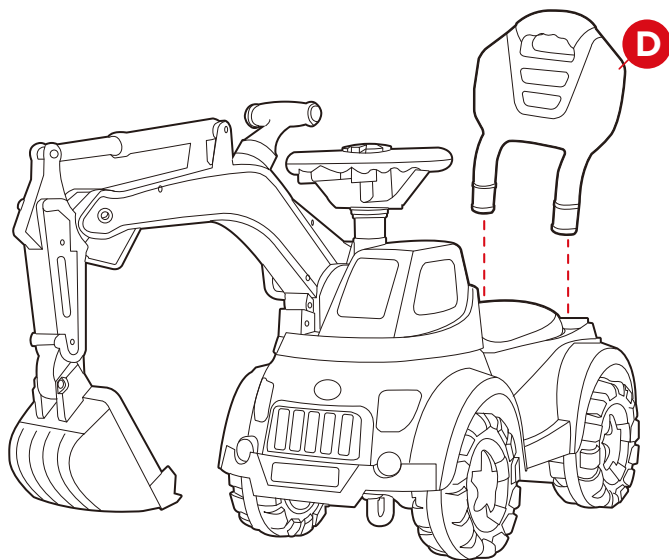
3



Insert the part B excavator arm into the slot to the right of the steering wheel and it will lock in place. Slide the part C excavator bucket onto the arm and secure it with two part 1 screws.

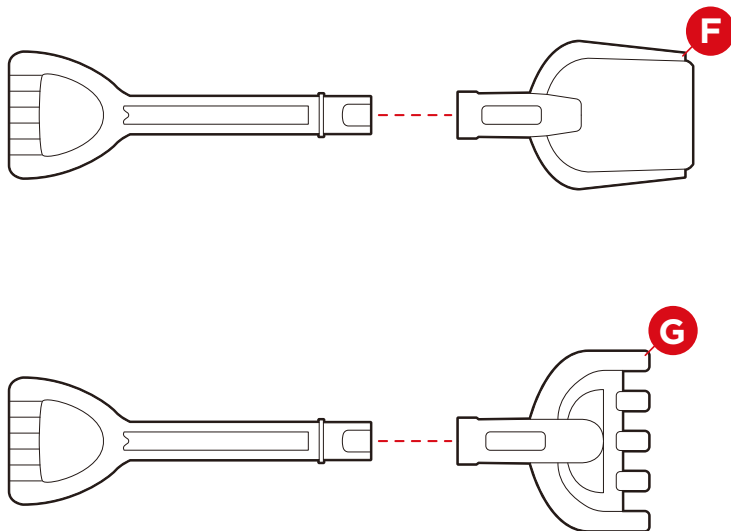
## PRODUCT ASSEMBLY

4



Insert the part D backrest into the slots behind the seat.

5



Assemble the part F shovel and part G rake by snapping the pieces together.

## USAGE NOTES

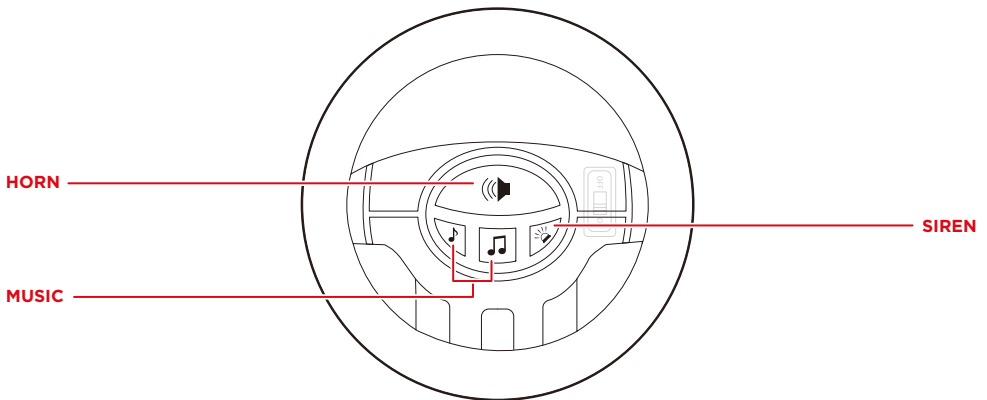
- There is additional storage space underneath the seat.
- Pull the lever back and the excavator arm will go back. Push the lever forward and the excavator arm will go forward.
- Use the handle to swing the excavator sideways or up and down.

## CARE AND MAINTENANCE:

- Park the vehicle indoors or cover it with a tarp to protect it from wet weather.
- Do not leave the vehicle in the sun for long periods of time or fading may occur. Store in shade or cover with tarp.
- Do not wash the vehicle with a hose.
- Do not wash the vehicle with soap.

## DASHBOARD DIAGRAM:

The power switch is located on the back of the part A steering wheel.

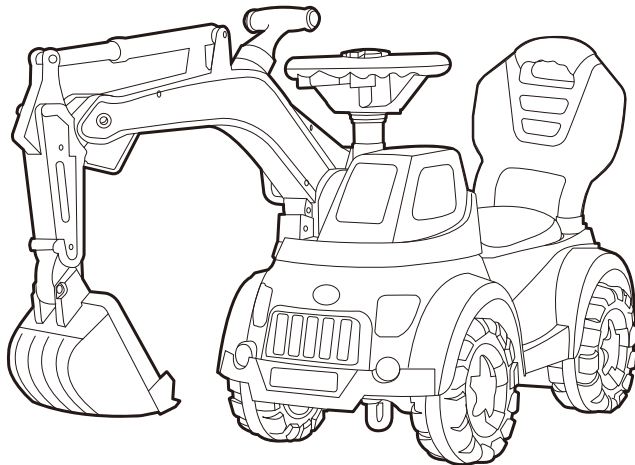


## WARNINGS REGARDING BATTERIES

- Do not mix alkaline, standard (carbon zinc) and rechargeable (nickel hydride) batteries.
- Do not mix old and new batteries.
- Non-rechargeable batteries should not be charged.
- Rechargeable batteries should be charged under adult supervision only.
- Exhausted batteries should be removed.
- The supply terminals should not be short-circuited.
- Do not put batteries next to or in a heat source (fire, electronic heating device, etc.).
- Do not hit batteries against hard objects.
- Do not submerge batteries in water.
- Batteries should be inserted with the correct polarity.

**ASSEMBLY IS COMPLETE!**

bcp



## PRODUCT WARRANTY INFORMATION

All items can be returned for any reason within 60 days of the receipt and will receive a full refund as long as the item is returned in its original product packaging and all accessories from its original shipment are included. All returned items will receive a full refund back to the original payment method. All returned items will not be charged a re-stocking fee.

All returned items require an RA (Return Authorization) number, which can only be provided by a Best Choice Products Customer Service Representative when the return request is submitted. Items received without an RA may not be accepted or may increase your return processing time. Once an item has been received by Best Choice Products, refunds or replacements will be processed within 5 business days.

All returns must be shipped back to the Best Choice Products Return Center at the customer's expense. If the reason for return is a result of an error by Best Choice Products then Best Choice Products will provide a pre-paid shipping label via email. Boxes for return shipping will not be provided by Best Choice Products, and is the customer's responsibility to either use the original shipping boxes or purchase new boxes.

Pictures may be required for some returns to ensure an item is not damaged prior to its return. Items returned are not considered undamaged until they are received by Best Choice Products and verified as such. All damages to items are the customer's responsibility until the item has been received by and acknowledge by Best Choice Products as undamaged.

## CONTACT US; WE'RE HERE 7 DAYS A WEEK TO HELP YOU!



[bestchoiceproducts.com](http://bestchoiceproducts.com)



[customerservice@bestchoiceproducts.com](mailto:customerservice@bestchoiceproducts.com)



844.948.8400



LEARN MORE!

## **WARNING**

Manufacturer and seller expressly disclaim any and all liability for personal injury, property damage or loss, whether direct, indirect, or incidental, resulting from the incorrect attachment, improper use, inadequate maintenance, or neglect of this product.