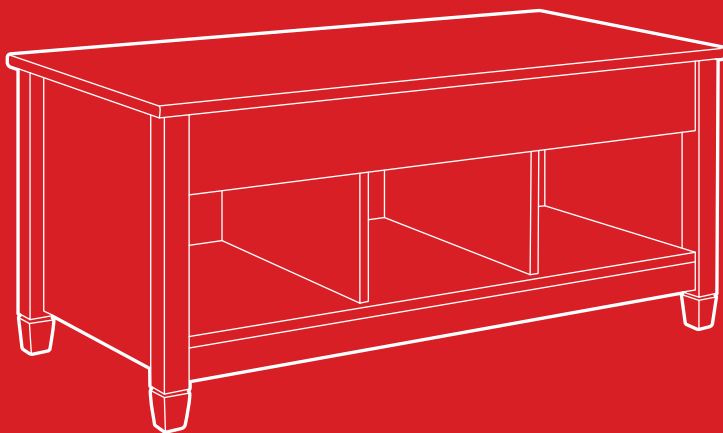




bestchoiceproducts



INSTRUCTION MANUAL

Lift-Top Coffee Table

NOTICE

Please retain these instructions for future reference.

The following safety hazards may result in serious injury or death:

- Firmly secure all bolts, screws and knobs before use.
- Reconfirm that all bolts, screws, and knobs are secure every 90 days.
- Do not use or store this item in the proximity of open flame or flammable/combustible chemicals.
- Always lay components on a clean, soft-cushioned surface during assembly.
- Improper installation may cause damage to the product.
- Product is intended for indoor use only.
- If any parts are missing, broken, damaged, or worn, stop using this item until repairs are made and/or factory replacement parts are installed.
- Do not use this item in a way inconsistent with the manufacturer's instructions as this could void the product warranty.
- To wipe down the furniture, use a damp cloth. Then, wipe it down once more with a dry cloth.
- Reconfirm that all bolts, screws, and knobs are secure every 90 days.
- Be aware that extra hardware may be included.

TOOLS REQUIRED



PHILLIPS
SCREWDRIVER



ELECTRIC DRILL

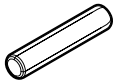
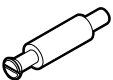







1 PERSON
ASSEMBLY



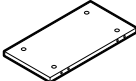

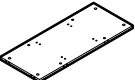
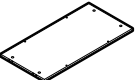

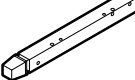
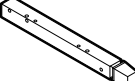



APPROXIMATELY
45 MIN.
ASSEMBLY

HARDWARE

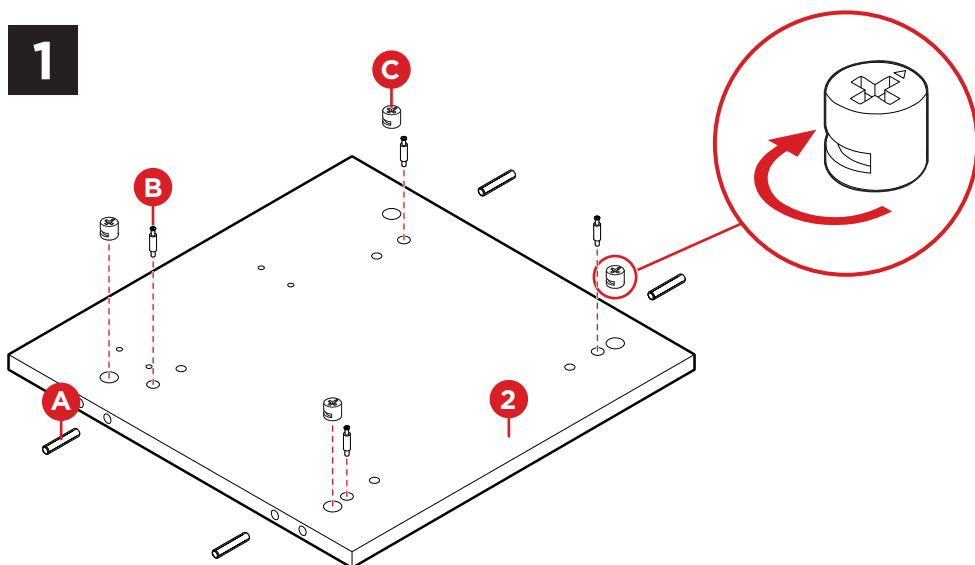
A DOWEL  32 PCS	B CAM BOLT  40 PCS	C CAM LOCK  40 PCS	P CAM COVER  40PCS
M1 TABLETOP PAD  6PCS	E4 WOOD SCREW  44PCS	S1 CORNER BRACKET  4 PCS	

PARTS

1 TABLETOP  1 PC	2 END PANEL  2 PCS	3 DIVIDER  2 PCS	4 SIDE PANEL  2 PCS
5 INNER SHELF  1 PC	6 BOTTOM SHELF  1 PC	7 BASEBOARD  2 PCS	8 LEG  2 PCS
9 LEG  2 PCS	10 LIFT HINGE  2 PCS		

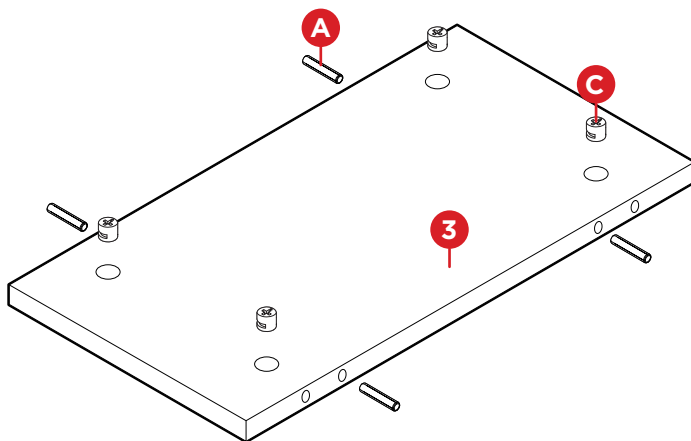
PRODUCT ASSEMBLY

1



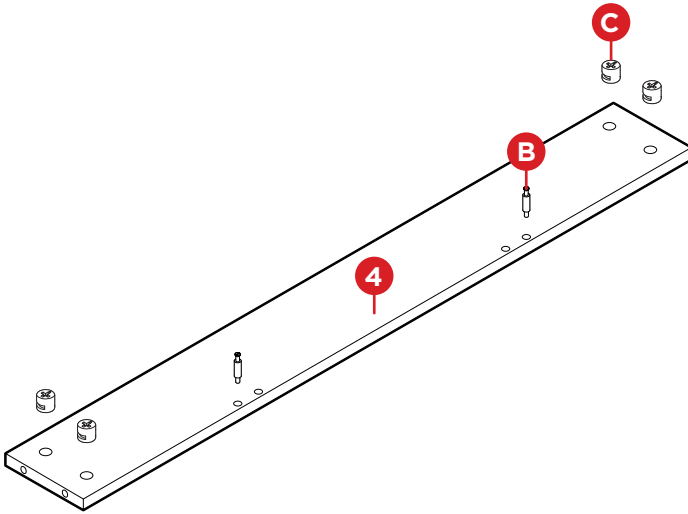
Insert four part A dowels, four part B cam bolts, and four part C cam locks into each part 2 end panel.

2



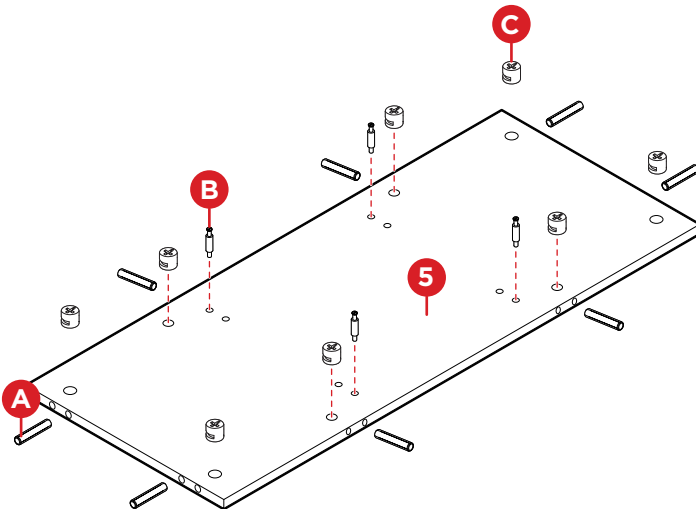
Insert four part A dowels and four part C cam locks into part 3 dividers.

3



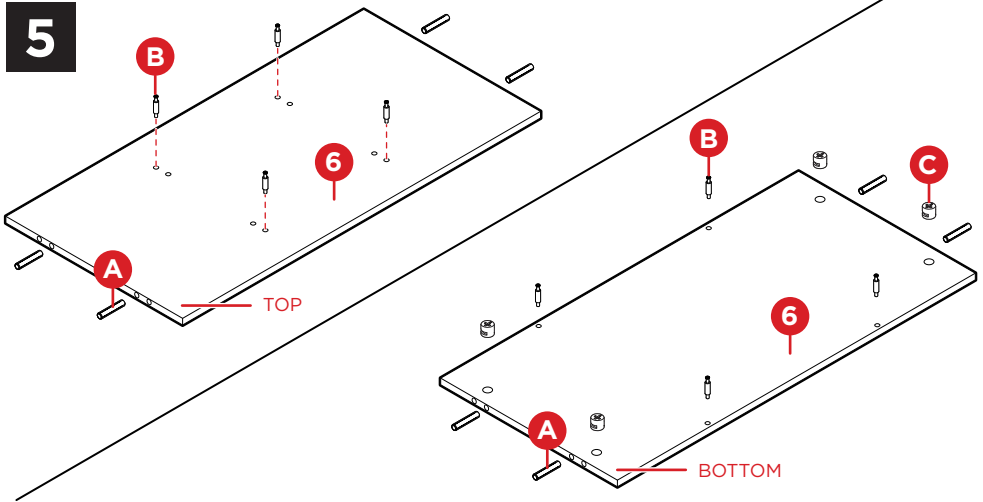
Insert two part B cam bolts and four part C cam locks into each part 4 side panel.

4



Insert eight part A dowels, four part B cam bolts, and eight part C cam locks into part 5 inner shelf.

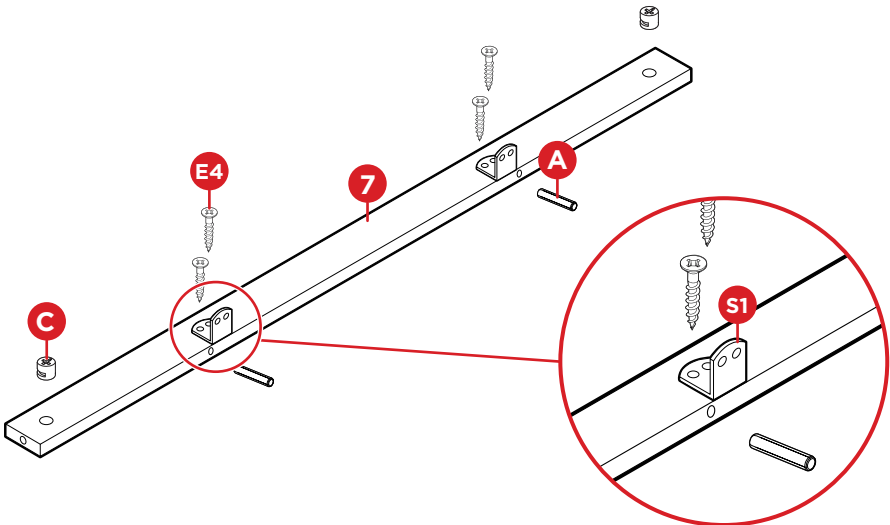
PRODUCT ASSEMBLY



Insert four part A dowels and four part B cam bolts into the top end of part 6 bottom shelf.

Then insert four part A dowels, four part B cam bolts, and four part C cam locks into the bottom end of part 6 bottom shelf.

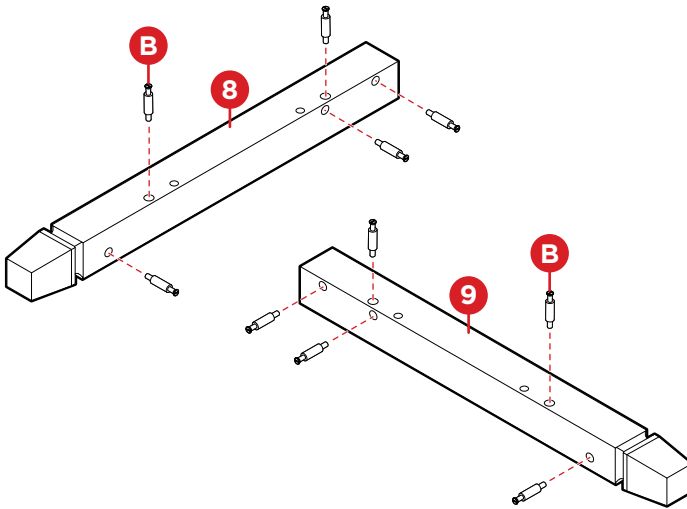
6 Align two part S1 corner brackets with dowel housings. Then, use drill to attach brackets to baseboard with two part E4 wood screws per bracket. Repeat with remaining baseboard.



Insert two part A dowels and two part C cam locks per baseboard.

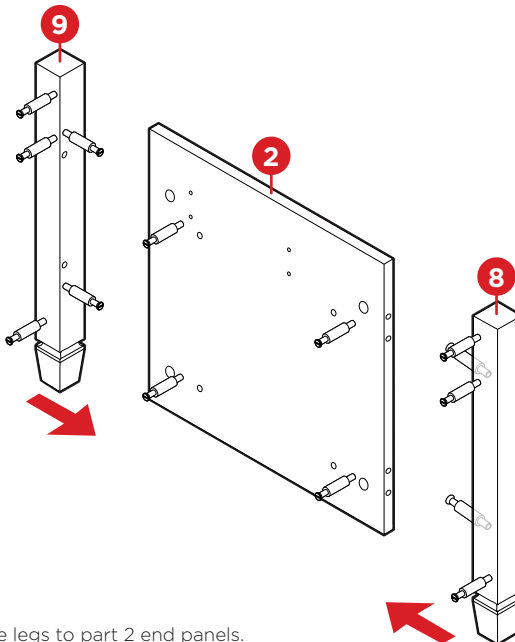
PRODUCT ASSEMBLY

7



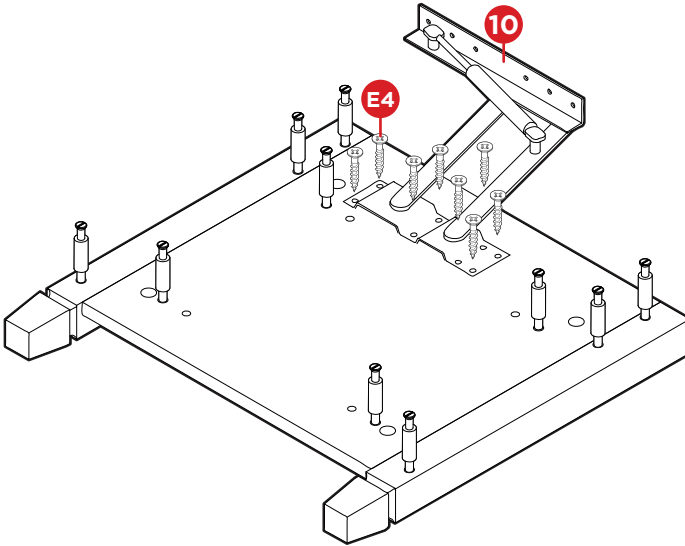
Insert five part B cam bolts into each part 8 and 9 legs.

8



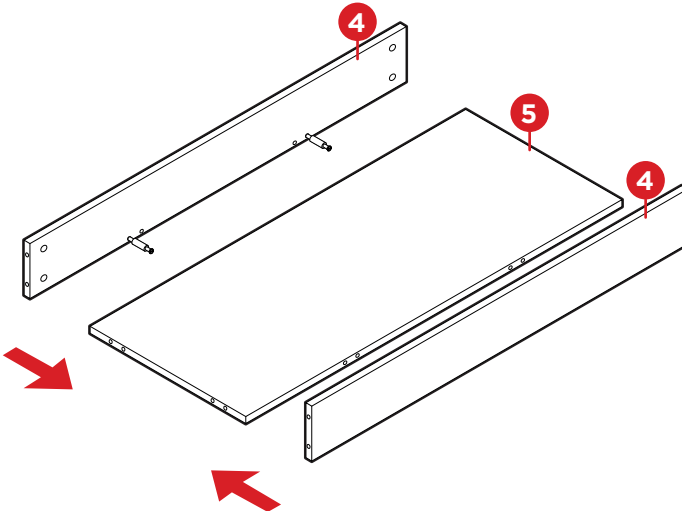
Attach part 8 and 9 table legs to part 2 end panels.

9



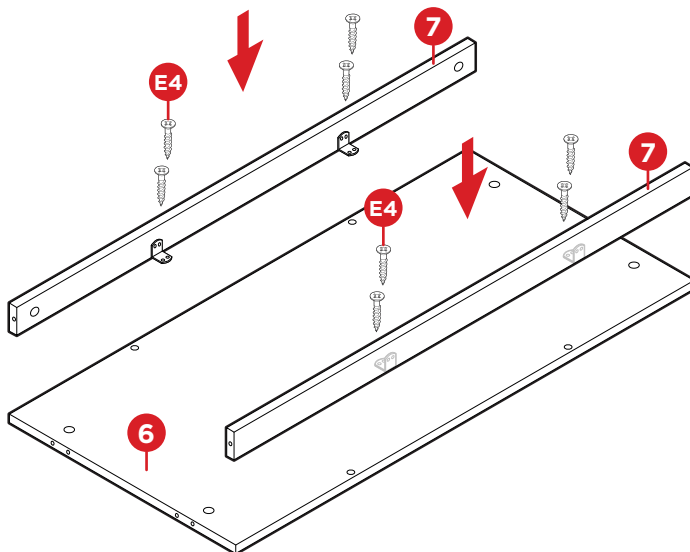
Use drill to attach part 10 lift hinges to end panels with eight part E4 wood screws each.

10



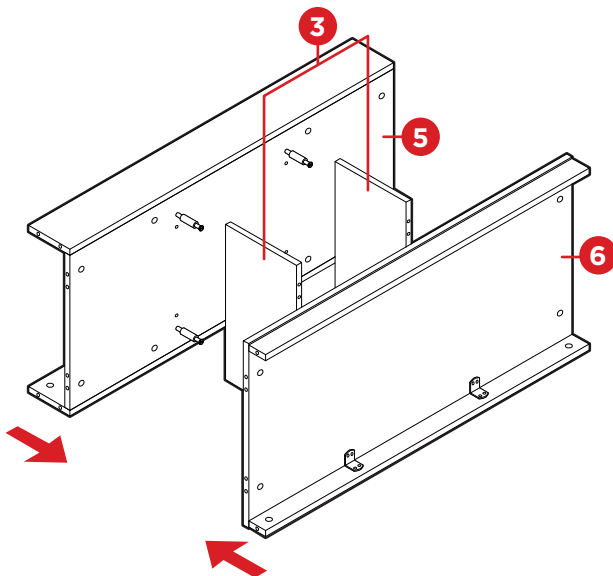
Insert part 4 side panels into part 5 inner shelf.

11



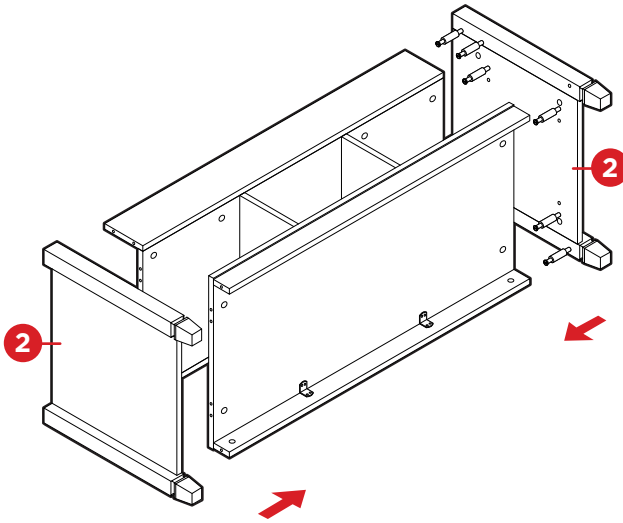
Use drill to attach part 7 baseboards to part 6 bottom shelf with four part E4 wood screws.

12



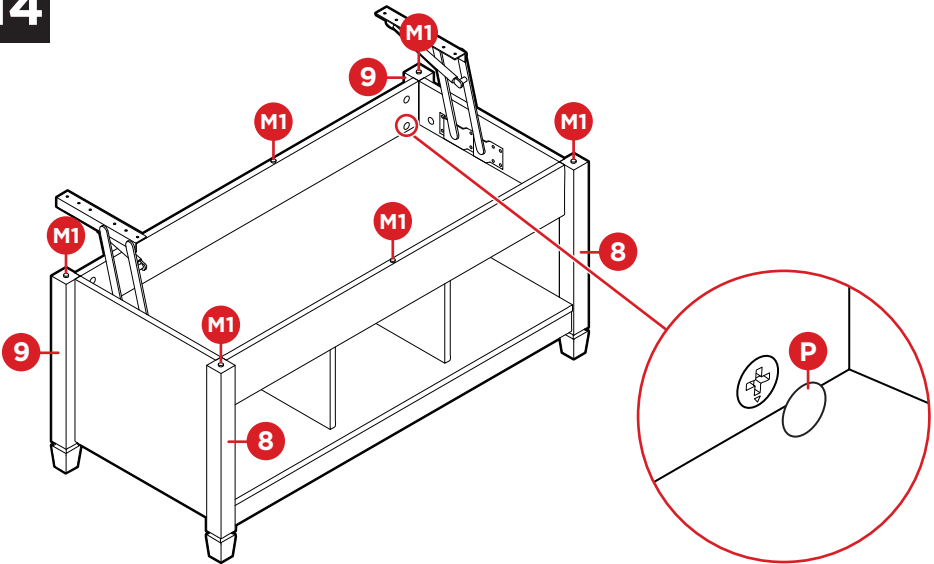
Connect part 5 inner panels to part 6 bottom shelf with two part 3 dividers.

13



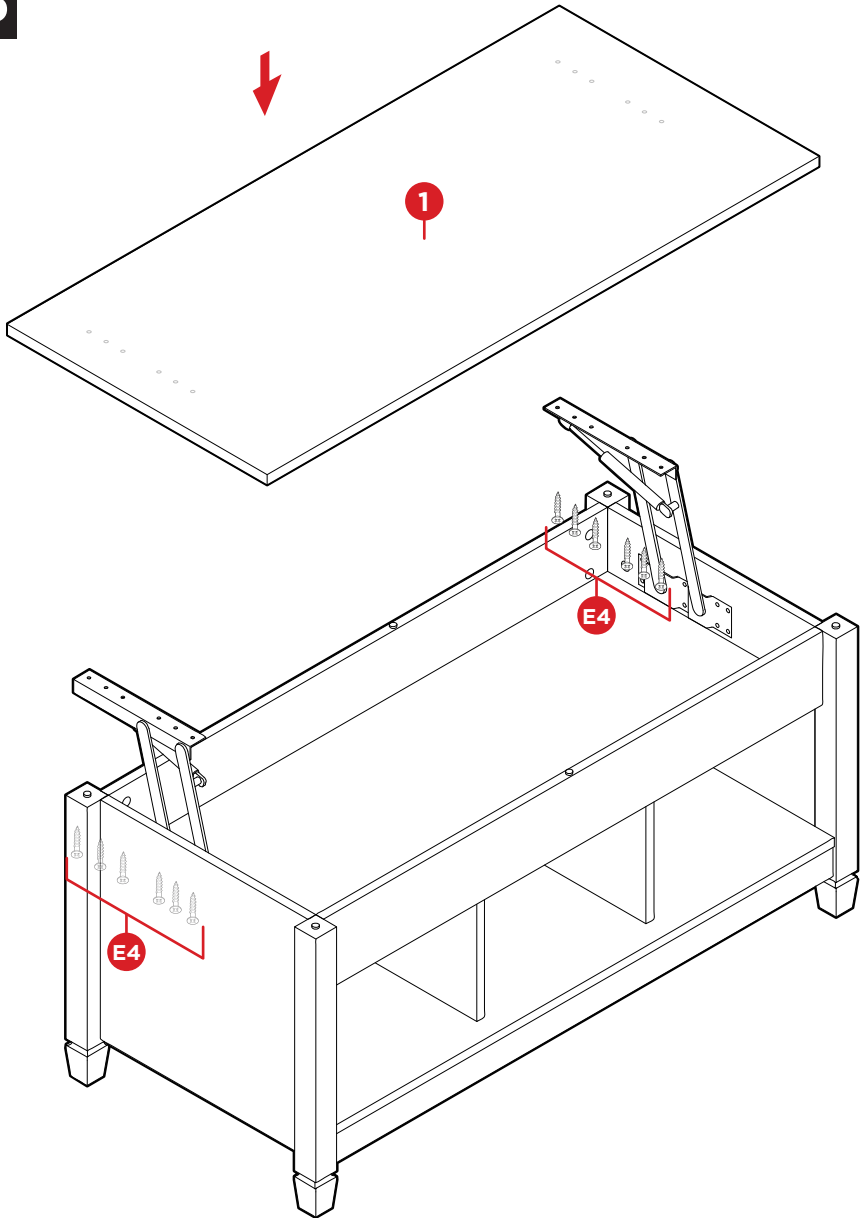
Attach part 2 end panels to inner shelf and bottom shelf.

14



Place part M1 tabletop pads on the tops of each part 8 and 9 legs. Then apply part P cam covers over each exposed cam lock.

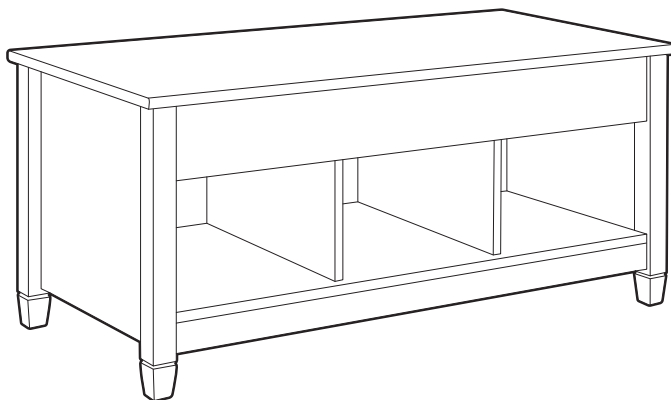
15



Use drill to attach part 1 tabletop to lift hinges with twelve part E4 wood screws.

ASSEMBLY IS COMPLETE!

bcp



PRODUCT WARRANTY INFORMATION

All items can be returned for any reason within 60 days of the receipt and will receive a full refund as long as the item is returned in its original product packaging and all accessories from its original shipment are included. All returned items will receive a full refund back to the original payment method. All returned items will not be charged a re-stocking fee.

All returned items require an RA (Return Authorization) number, which can only be provided by a Best Choice Products Customer Service Representative when the return request is submitted. Items received without an RA may not be accepted or may increase your return processing time. Once an item has been received by Best Choice Products, refunds or replacements will be processed within 5 business days.

All returns must be shipped back to the Best Choice Products Return Center at the customer's expense. If the reason for return is a result of an error by Best Choice Products then Best Choice Products will provide a pre-paid shipping label via email. Boxes for return shipping will not be provided by Best Choice Products, and is the customer's responsibility to either use the original shipping boxes or purchase new boxes.

Pictures may be required for some returns to ensure an item is not damaged prior to its return. Items returned are not considered undamaged until they are received by Best Choice Products and verified as such. All damages to items are the customer's responsibility until the item has been received by and acknowledge by Best Choice Products as undamaged.

CONTACT US; WE'RE HERE 7 DAYS A WEEK TO HELP YOU!



bestchoiceproducts.com



customerservice@bestchoiceproducts.com



844.948.8400



[LEARN MORE!](#)

WARNING

Manufacturer and seller expressly disclaim any and all liability for personal injury, property damage or loss, whether direct, indirect, or incidental, resulting from the incorrect attachment, improper use, inadequate maintenance, or neglect of this product.