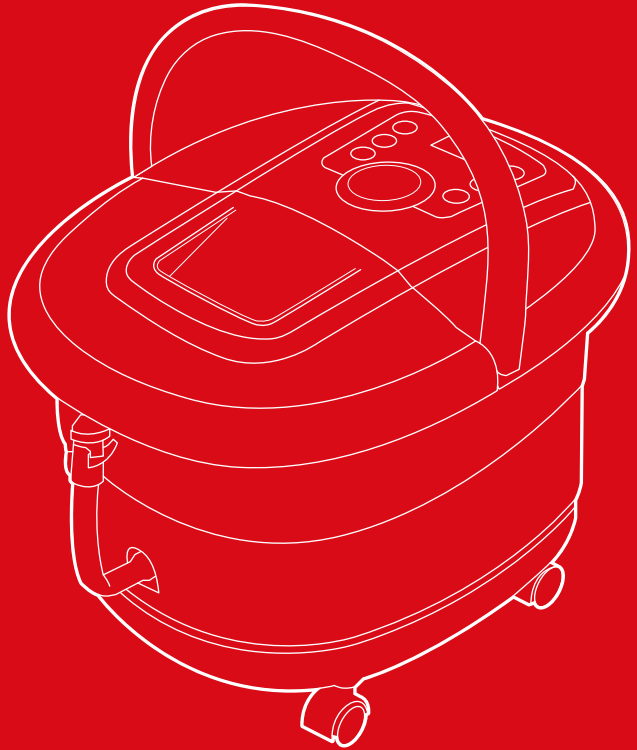




bestchoiceproducts



# INSTRUCTION MANUAL

---

Portable Foot  
Spa Massager



**bestchoiceproducts**

---

Thank you for choosing us! Since 2002, Best Choice Products has been bringing customers high-quality products at the absolute lowest price. With everything ranging from instruments and toys to furniture and outdoor, we've got your everyday living essentials covered. We're centered around a customer-first philosophy - with free shipping, exceptional customer service, and a catalog sourced with you in mind.

---

## **! NOTICE**

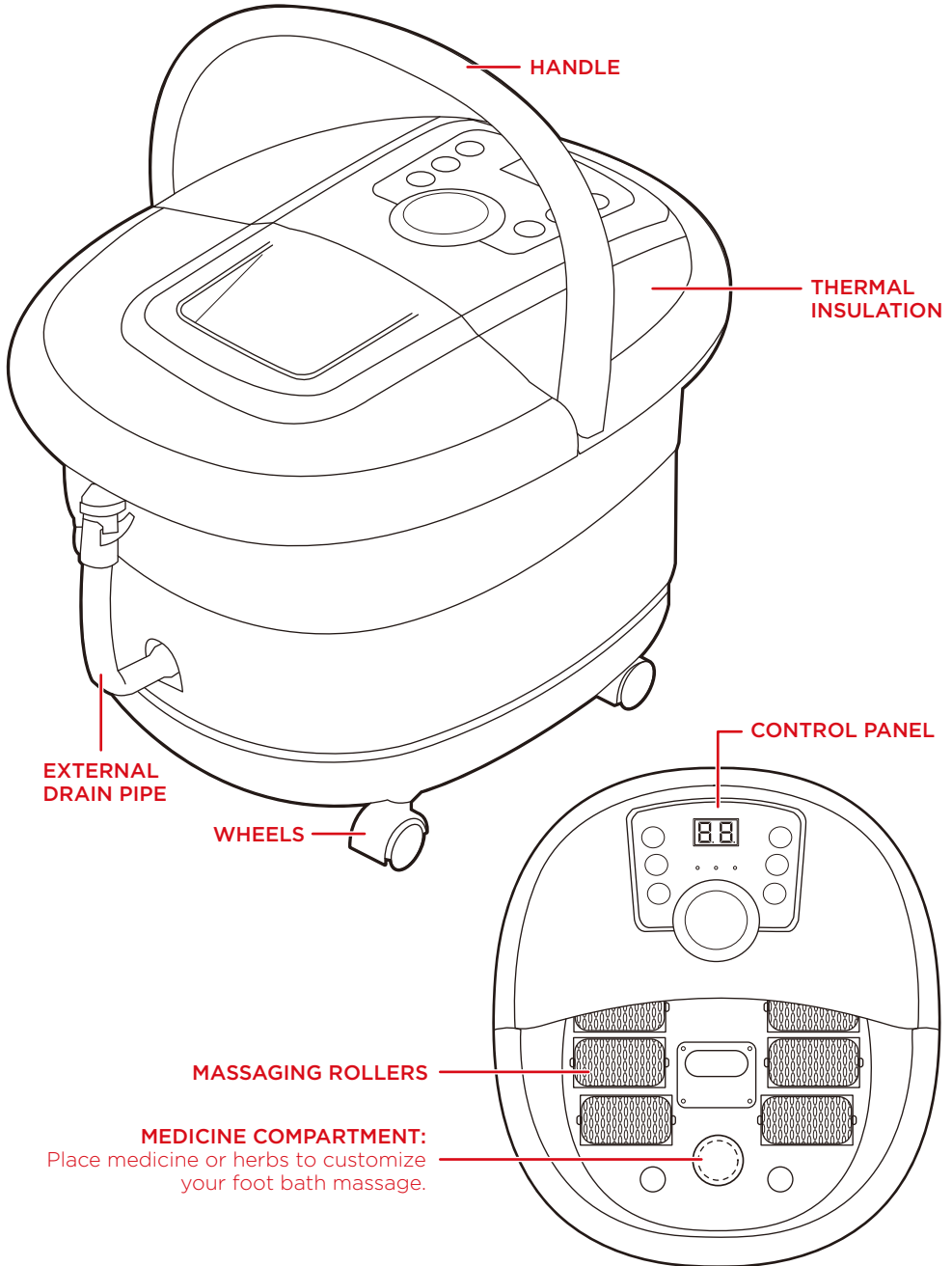
Please retain these instructions for future reference.

- Only one person may use this product at a time.
- Only clean this product with soap and water.
- Dump out remaining water and unplug the product after every use.
- Do not use this product immediately after eating a meal.
- Test the water temperature before use to make sure that it is at a comfortable temperature.
- Please stop if you are feeling uncomfortable (dizziness, headache, etc.).
- If herbal medicine is used during foot bath massage, wrap the medicine in gauze and place it in the medicine compartment.
- Do not add acid, alkaline, or other corrosive additives to the footbath.
- Do not move the massager by dragging it by the power cord.
- Do not use in a wet bathroom or exceedingly wet/humid environment.
- Do not use on carpeted floor.
- Do not allow water to freeze in the machine.
- Do not store this product upside down or by hanging.
- Store upright in a cool and ventilated place.
- Product is intended for indoor use only.
- If any parts are missing, broken, damaged, or worn, stop using this item until repairs are made and/or factory replacement parts are installed.
- Do not use this item in a way inconsistent with the manufacturer's instructions as this could void the product warranty.

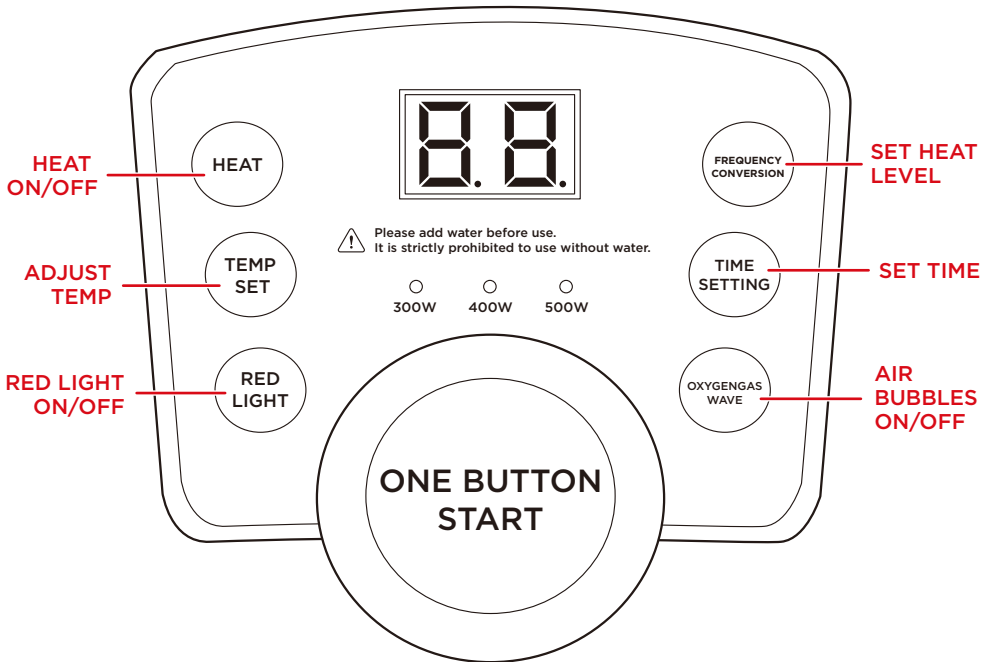
## **USER WARNINGS**

- Do not use if liquid leaks from the machine.
- Do not stand during use or deliberately trample the machine as this may damage the machine and cause electric shock or scalding.
- Do not move the machine during use.
- Do not use wet hands to pull the plug from the outlet.
- If the power cord or any of the components/parts are damaged, stop use immediately.
- Do not put hot water over 122°F directly into the foot bath massager.
- Do not start the machine without water, otherwise the product may overheat.
- When in use avoid touching anything that can conduct metal, such as a metal chair frame or heating radiator.
- Do not use this machine on an empty stomach, extremely full, or drunk.
- Do not use if you are pregnant.
- People insensitive to temperature, children, or disabled individuals must be monitored during use.
- If you are receiving medical treatment or are in any one of the following situations, consult a doctor and use with caution:
  - People suffering from diabetes, severe hypertension, stroke, not sensitive to temperature, liver disease, foot abscess or trauma such as skin damage, furuncles, tumor, skin diseases, infectious disease, lymphadenitis, blood disease, early fracture or dislocation, use a pacemaker, or have an artificial limb or metal in a lower extremity.

# DIAGRAM



## CONTROL PANEL FUNCTIONS



**Set Heat Level:** The default heat level is 500 watts. Press to toggle the heat level between 300, 400, and 500 watts.

**Set Time:** Press to show the current time. Continue pressing to reduce time at 10-minute increments. You can set a time ranging from 10 minutes to 60 minutes.

**Air Bubbles On/Off:** Press to toggle massaging air bubbles on and off.

**One Button Start:** Press to start the massager at default settings – a 60-minute massage and a temperature of 108°F.

**Red Light On/Off:** Press to toggle the red light on and off.

**Adjust Temperature:** Press to show the current temperature. Continue pressing to increase temperature at one-degree increments. You can set a temperature ranging from 95°F to 118°F.

**Heat On/Off:** Toggle the heating function on and off.

## ADDING WATER

- Add clean water directly to the basin. Make sure you do not go beyond the max water line.
- Do not immerse the machine completely in water.
- Remove water by draining water through the external drain pipe or carefully pouring it from the basin.
- Prevent water from splashing on the control panel or it may damage the components.

## FOOT SPA MASSAGER TIPS

- Place machine on level surface before use.
- Recommended use is twice a day (morning and evening) for 30 minutes at a time with a water temperature of 108°F.
- Be aware that during a foot bath massage your pores will open, so do not use while sitting directly in front of a fan or air conditioner to avoid getting a cold.
- It is recommended that you drink a cup of water before use.
- Empty and wipe accumulated dirt from the inside of the basin after every use.
- It is recommended to use this product one hour before or after a meal.
- Do not stand up immediately after a foot bath massage; rest 2 to 3 minutes before standing up and walking.

## TROUBLESHOOTING

Problem	Reason	Solution
Water is heavy or dirty	Incrustation	Soak the basin in oxalic acid or white vinegar for 10 minutes
Heat not working	No power	Make sure the machine is properly plugged in and turned on
Not working or stopped working	Not turned on	Turn on
	Foot bath time is up	Add time or restart foot bath
	Temperature is too high	Add cold water to the basin to lower the temperature



**bestchoiceproducts**

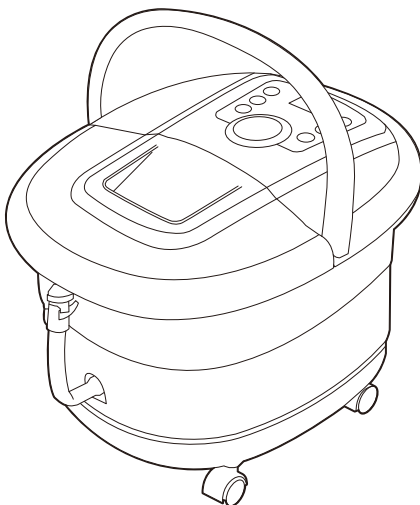
---

Check out more great products:  
**[bestchoiceproducts.com](https://www.bestchoiceproducts.com)**

---

**ENJOY YOUR PORTABLE FOOT SPA MASSAGER!**

bcp



## **PRODUCT WARRANTY INFORMATION**

All items can be returned for any reason within 60 days of the receipt and will receive a full refund as long as the item is returned in its original product packaging and all accessories from its original shipment are included. All returned items will receive a full refund back to the original payment method. All returned items will not be charged a re-stocking fee.

All returned items require an RA (Return Authorization) number, which can only be provided by a Best Choice Products Customer Service Representative when the return request is submitted. Items received without an RA may not be accepted or may increase your return processing time. Once an item has been received by Best Choice Products, refunds or replacements will be processed within 5 business days.

All returns must be shipped back to the Best Choice Products Return Center at the customer's expense. If the reason for return is a result of an error by Best Choice Products then Best Choice Products will provide a pre-paid shipping label via email. Boxes for return shipping will not be provided by Best Choice Products, and is the customer's responsibility to either use the original shipping boxes or purchase new boxes.

Pictures may be required for some returns to ensure an item is not damaged prior to its return. Items returned are not considered undamaged until they are received by Best Choice Products and verified as such. All damages to items are the customer's responsibility until the item has been received by and acknowledge by Best Choice Products as undamaged.

## **CONTACT US; WE'RE HERE 7 DAYS A WEEK TO HELP YOU!**



[bestchoiceproducts.com](http://bestchoiceproducts.com)



[customerservice@bestchoiceproducts.com](mailto:customerservice@bestchoiceproducts.com)



844.948.8400



[LEARN MORE!](#)

## **⚠️ WARNING**

Manufacturer and seller expressly disclaim any and all liability for personal injury, property damage or loss, whether direct, indirect, or incidental, resulting from the incorrect attachment, improper use, inadequate maintenance, or neglect of this product.