



bestchoiceproducts



INSTRUCTION MANUAL

Hanging Mirrored Jewelry Armoire

REQUIRED



45 LBS
CAPACITY



1 PERSON
ASSEMBLY

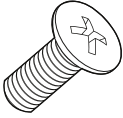


APPROXIMATELY
15 MIN.
ASSEMBLY

HARDWARE

1

φ6mm x 12mmL



4 PCS

2

φ14mm x 42mmL



2 PCS

3

φ7.5mm x 31mmL



2 PCS

4

Velcro® Strip w/
Adhesive
Backing

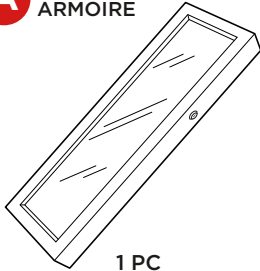


2 PCS

PARTS

A

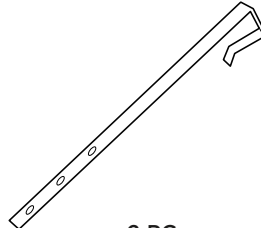
ARMOIRE



1 PC

B

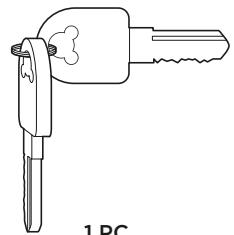
WALL HOOK



2 PC

C

KEY



1 PC

SPECIFICATIONS

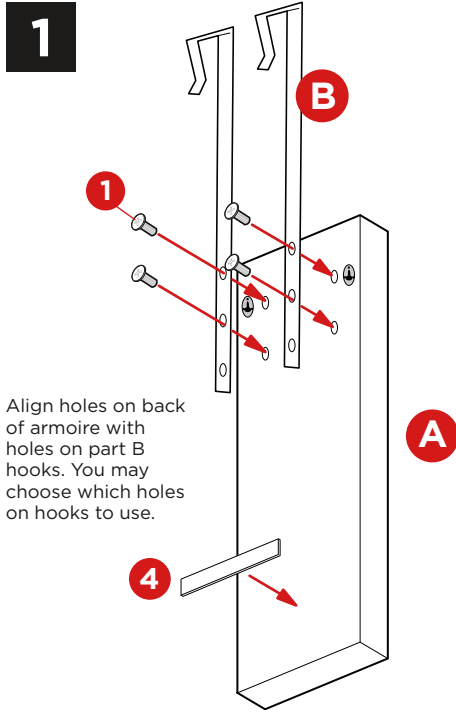
Weight	20.8 lbs
Weight Capacity	45 lbs overall
Max Jewelry Capacity	24-25 lbs.

PRODUCT ASSEMBLY

Please retain these instructions for future reference.

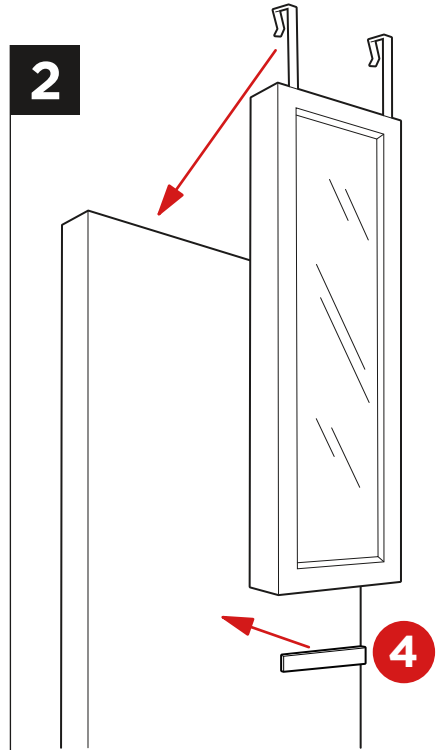
- This product can be mounted to a wall OR hung over a door.
- The part C key is used to lock and unlock the cabinet door.

HANGING INSTRUCTIONS



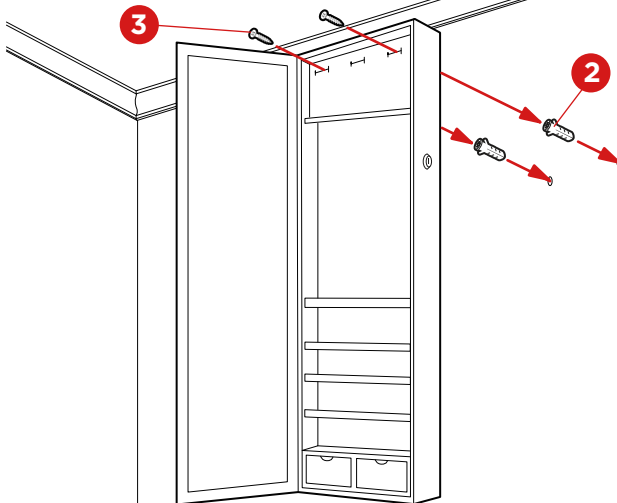
Align holes on back of armoire with holes on part B hooks. You may choose which holes on hooks to use.

Attach the hooks to the armoire with four part 1 screws. Place a part 4 Velcro® strip on the back of the armoire.



Hang the armoire over a door. Secure the armoire to the door with the other part 4 Velcro® strip.

WALL MOUNTING INSTRUCTIONS



1. Determine where you want the armoire to hang. Use an electric drill to drill two holes in the wall approximately 12 inches apart.
2. Screw two part 2 wall anchors into the holes. Make sure the anchors are level.
3. Open the armoire. Locate the two holes hidden in the foam ring holders. Screw two part 3 screws through the armoire and into the wall anchors.

NOTE: The holes are located in the second row of ring holders on the far left and right.

NOTICE



- Firmly secure all bolts, screws and knobs before use.
- Reconfirm that all bolts, screws, and knobs are secure every 90 days.
- Do not use or store this item in the proximity of open flame or flammable/combustible chemicals.
- If any parts are missing, broken, damaged, or worn, stop using this product until repairs are made and/or factory replacement parts are installed.
- Do not use this item in a way inconsistent with the manufacturer's instructions as this could void the product warranty.
- Do not exceed 45 pounds in overall weight when using this jewelry armoire. This armoire weighs approximately 21 pounds.
- This product contains small parts for mounting. Keep pets and children away when mounting or hanging.

PRODUCT WARRANTY INFORMATION

All items can be returned for any reason within 60 days of the receipt and will receive a full refund as long as the item is returned in its original product packaging and all accessories from its original shipment are included. All returned items will receive a full refund back to the original payment method. All returned items will not be charged a re-stocking fee.

All returned items require an RA (Return Authorization) number, which can only be provided by a Best Choice Products Customer Service Representative when the return request is submitted. Items received without an RA may not be accepted or may increase your return processing time. Once an item has been received by Best Choice Products, refunds or replacements will be processed within 5 business days.

All returns must be shipped back to the Best Choice Products Return Center at the customer's expense. If the reason for return is a result of an error by Best Choice Products then Best Choice Products will provide a pre-paid shipping label via email. Boxes for return shipping will not be provided by Best Choice Products, and is the customer's responsibility to either use the original shipping boxes or purchase new boxes.

Pictures may be required for some returns to ensure an item is not damaged prior to its return. Items returned are not considered undamaged until they are received by Best Choice Products and verified as such. All damages to items are the customer's responsibility until the item has been received by and acknowledge by Best Choice Products as undamaged.

CONTACT US; WE'RE HERE 7 DAYS A WEEK TO HELP YOU!



[bestchoiceproducts.com](https://www.bestchoiceproducts.com)



customerservice@bestchoiceproducts.com



844.948.8400



[LEARN MORE!](#)

WARNING

Manufacturer and seller expressly disclaim any and all liability for personal injury, property damage or loss, whether direct, indirect, or incidental, resulting from the incorrect attachment, improper use, inadequate maintenance, or neglect of this product.