



bestchoiceproducts



INSTRUCTION MANUAL

Wood Mantle Electric Fireplace

NOTICE

Please retain these instructions for future reference.

- Please read through all instructions before mounting and using this fireplace.
- Do not use the fireplace insert with any other mantel than the one provided by the manufacturer.
- Do not use this heater if it is not installed properly in the mantel.
- Firmly secure all screws and knobs before use.
- Reconfirm that all screws and knobs are secure every 90 days.
- Only use this heater with an AC power supply with the correct voltage. (-110-120).
- Do not plug in other devices into the same circuit.
- Do not turn the appliance on until it is properly installed.
- Do not leave appliance unattended during use or when plugged in.
- Do not let children operate or go near this appliance.
- Do not let children or small pets near during mounting and installation.
- Fireplace contains a front panel made of glass. Be careful and exercise caution when handling glass.
- Do not operate this product if the cord or any parts of this appliance are damaged. Do not attempt to modify the cord.
- Periodically check the cord and appliance for damage.
- Ensure plug fits securely in grounded outlet. If a grounding adaptor is needed to plug in this product, ensure adaptor is screwed on tight.
- Do not run cord under rugs, furniture, etc.
- Do not allow cord to hang over sharp edges or place near hot surfaces.
- Do not cover or obstruct the heater in any way.
- Never immerse this appliance or cord in water or any other liquids.
- Do not attempt to replace the bulbs. Only a licensed and qualified electrician should do so.
- Repairs to this appliance should only be performed by a licensed and qualified electrician.
- Disconnect and discontinue use of this appliance if any water damage occurs, or if the unit becomes hot to the touch, broken, or smokes/smells like smoke.
- Do not store flammable liquids or any other materials anywhere near this appliance.
- Do not attempt to modify this product. Modifying this product may result in injury or damage and voids any and all warranties.
- Do not dispose of this appliance as unsorted waste. Use special collection facilities for electrical appliances.

NOTE: When the heat function is turned on for the first time, a slight odor may be present. This is normal and should not occur again.

SPECIFICATIONS

Power Supply	120 V/60 Hz
Rated Power	750 W/1500 W

TOOLS REQUIRED



PHILLIPS
SCREWDRIVER



STUD FINDER
(OPTIONAL)

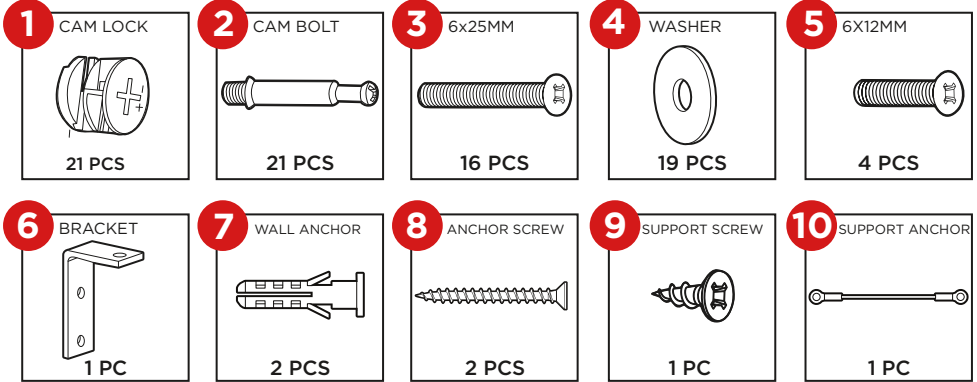


2 PERSON
ASSEMBLY

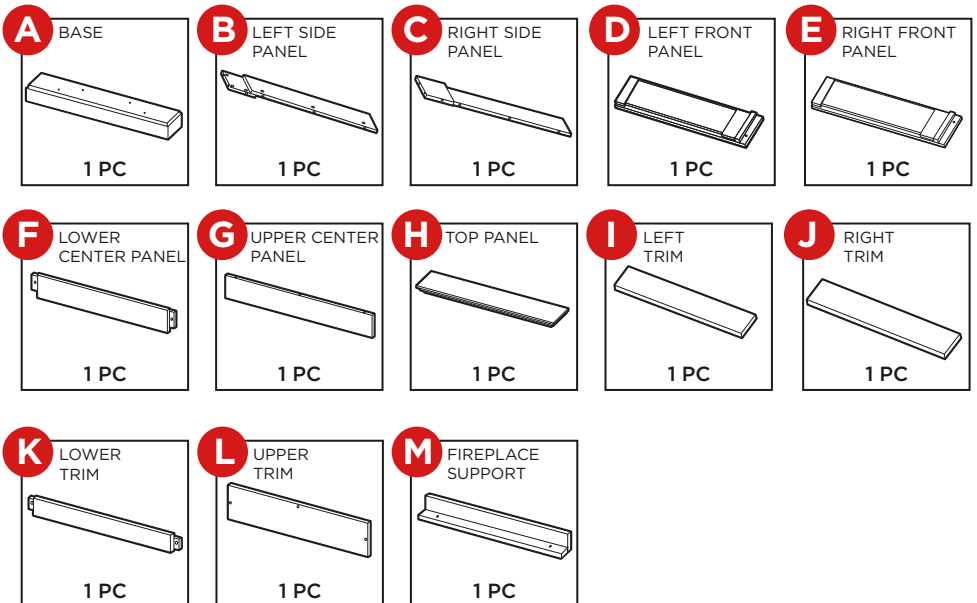


APPROXIMATELY
1 HOUR
ASSEMBLY

HARDWARE



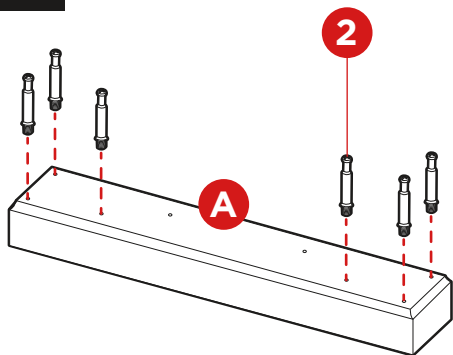
PARTS



PRODUCT ASSEMBLY

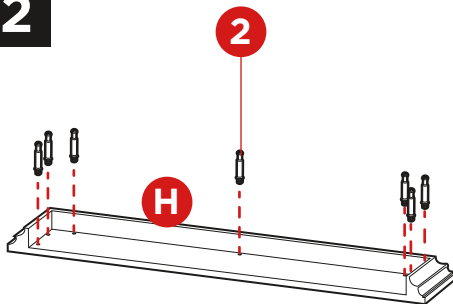
Please retain these instructions for future reference.

1



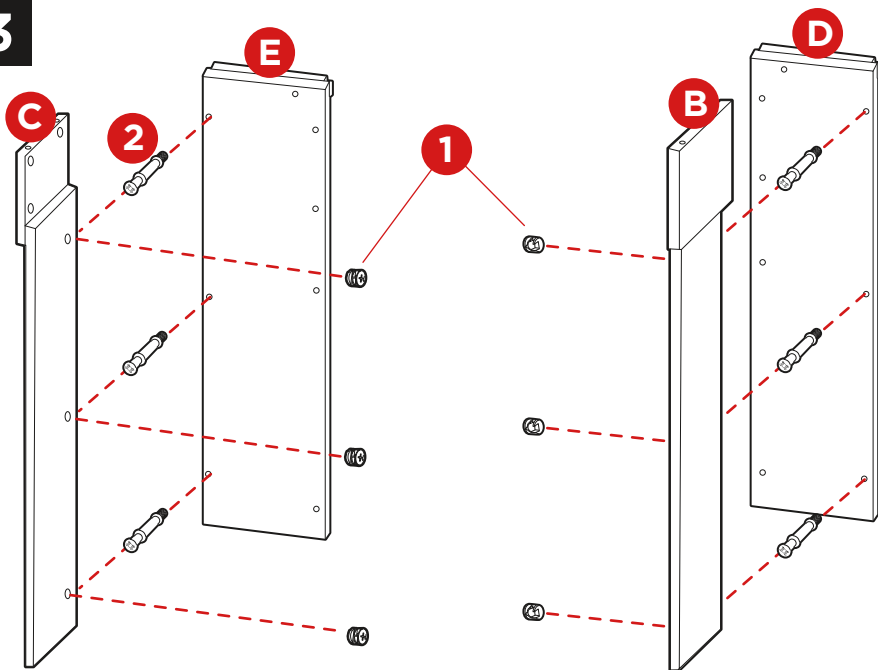
Screw six part 2 cam bolts into the part A base.

2



Screw seven part 2 cam bolts into the part H top panel.

3



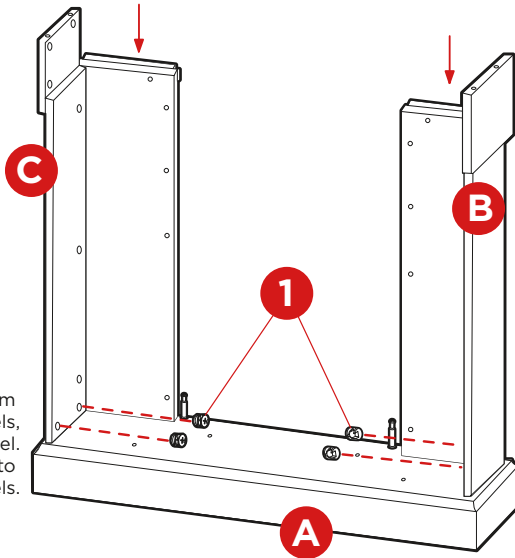
Screw three part 2 cam bolts into the outside edge of the part D left front panel. Insert the cam bolts into the designated holes on the part B left side panel.

Insert three part 1 cam locks in the holes and fasten the cam locks to secure the panels together. Repeat this to attach the part E right front panel to the part C right side panel.

PRODUCT ASSEMBLY

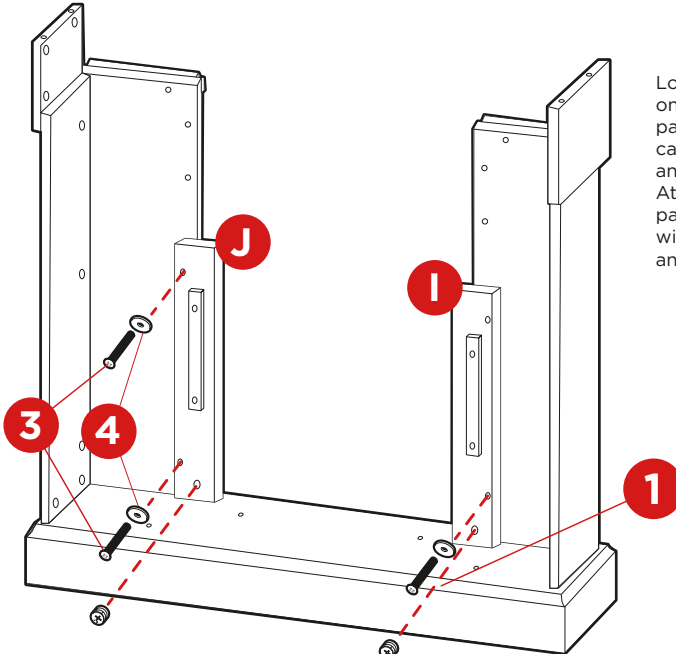
4

Insert four part 1 cam locks into the side panels, two on each panel. Fasten the cam locks to secure the side panels.



Lower both side panels onto the cam bolts on the part A base.

5



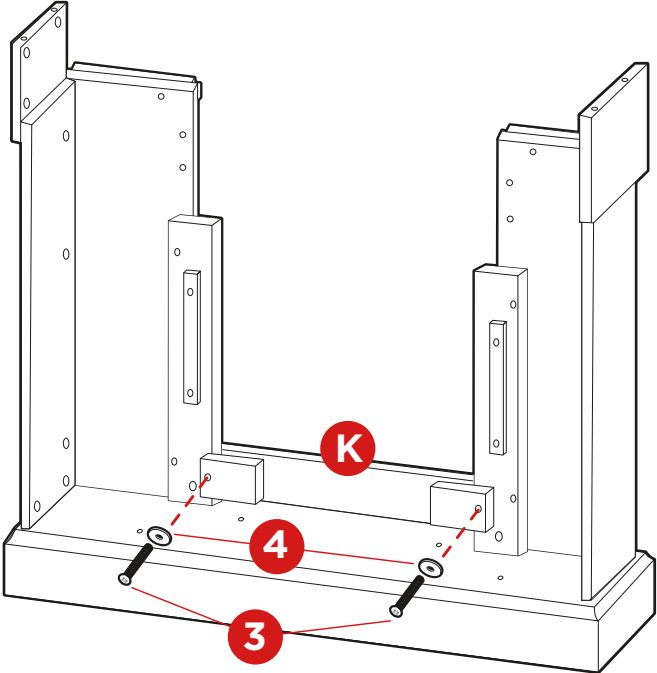
Lower the part I left trim onto the cam bolt on the part A base. Insert a part 1 cam lock into the left trim and fasten the cam lock. Attach the left trim to the part D left front panel with two part 3 screws and two part 4 washers.

Repeat this on the other side to attach the part J right trim to the base and part E right front panel.

PRODUCT ASSEMBLY

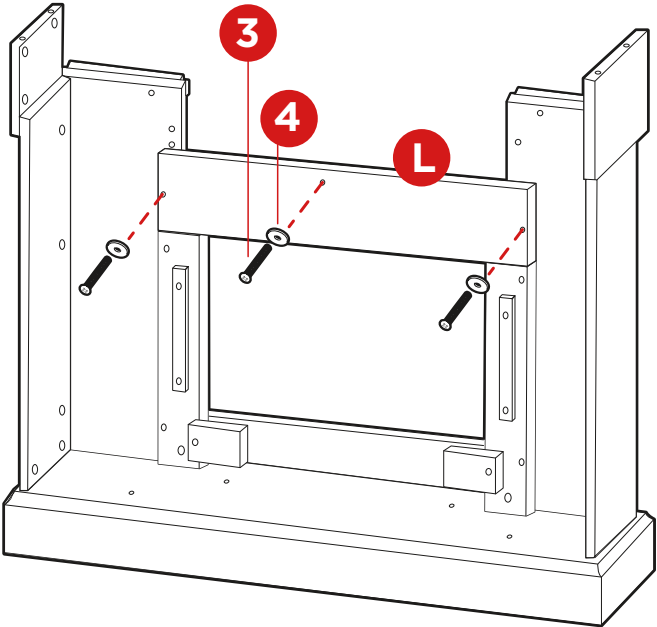
6

Attach part K lower trim with two part 3 screws and two part 4 washers.



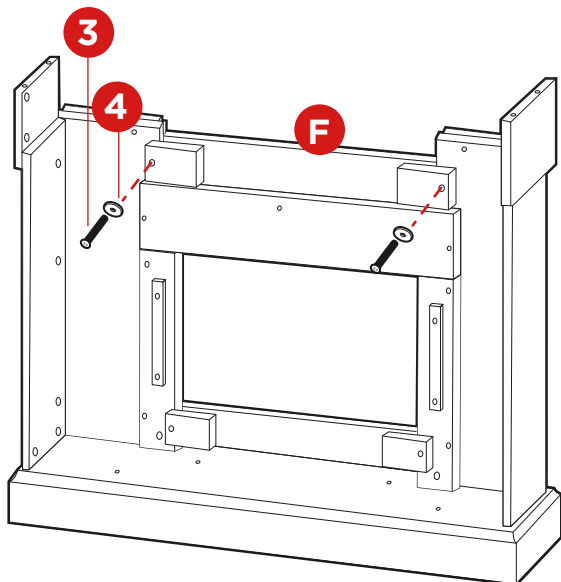
7

Attach part L upper trim with three part 3 screws and three part 4 washers.



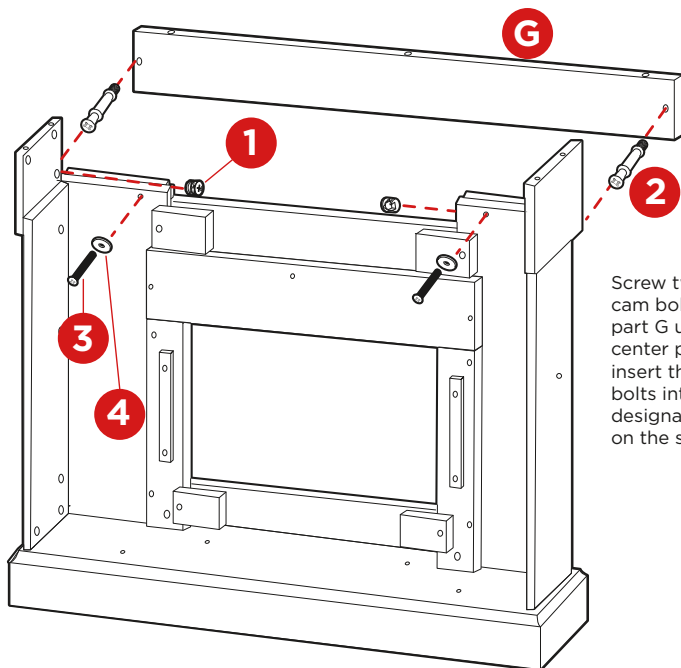
PRODUCT ASSEMBLY

8



Attach part F lower center panel with two part 3 screws and two part 4 washers.

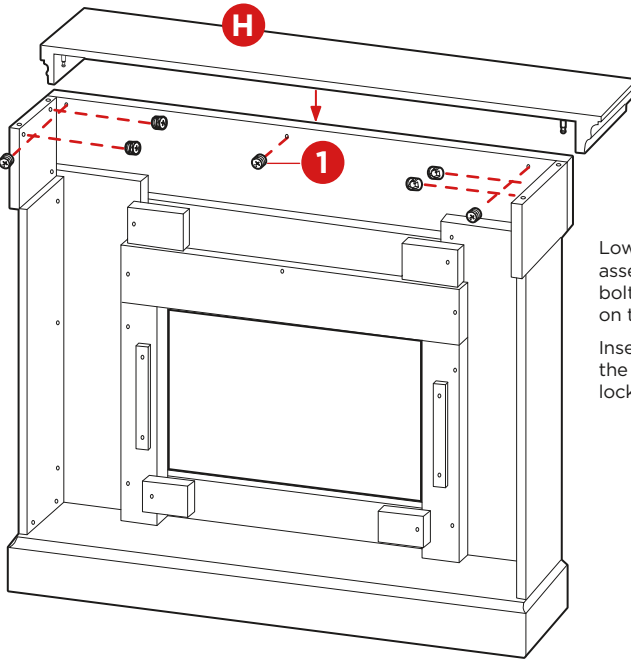
9



Screw two part 2 cam bolts into the part G upper center panel and insert the cam bolts into the designated holes on the side panels.

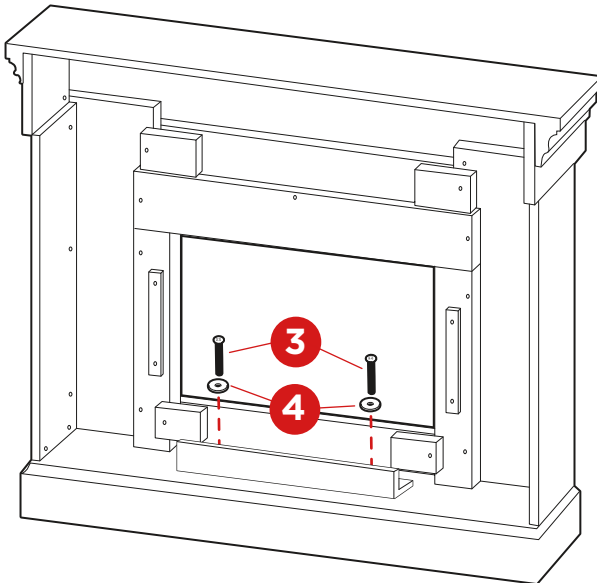
Insert a part 1 cam lock into both side panels and fasten the cam locks to attach the upper center panel. Secure part G with two part 3 screws and two part 4 washers.

10



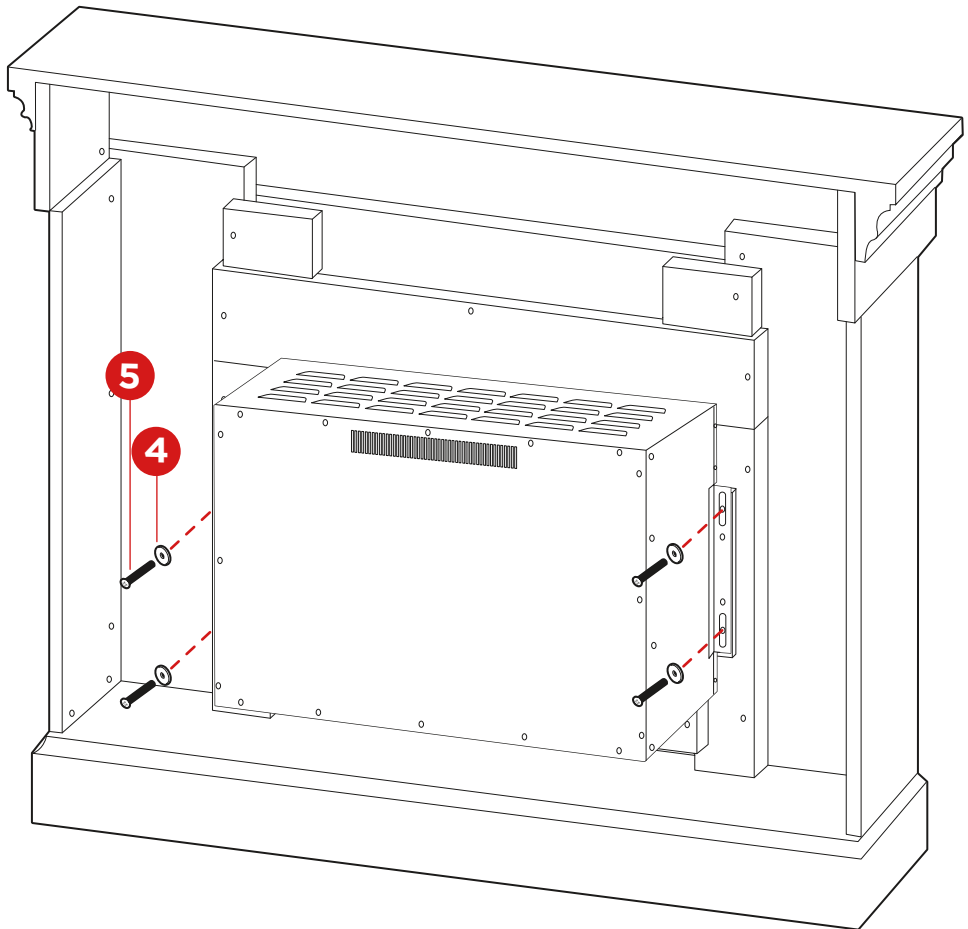
Lower part H top panel onto the assembly, inserting the cam bolts into the designated holes on the top of the assembly.
Insert seven part 1 cam locks into the top panel and fasten the cam locks to secure the top panel.

11



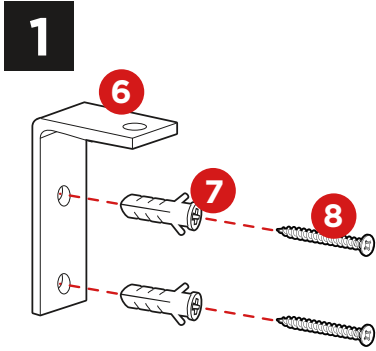
12

Attach the fireplace to the assembled mantel with four part 5 screws and four part 4 washers.



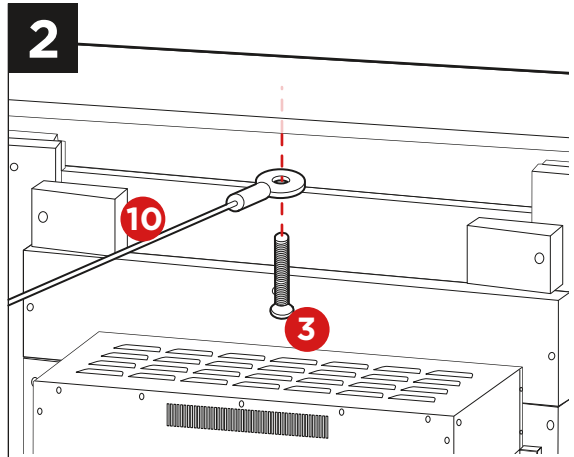
SECURING THE MANTEL AND FIREPLACE

- Use a stud finder to locate a stud that you can anchor your mantel to (optional).
- Mark holes for screwing in the part 6 bracket. Note: Bracket should be 3 inches lower than the height of the completed mantel.

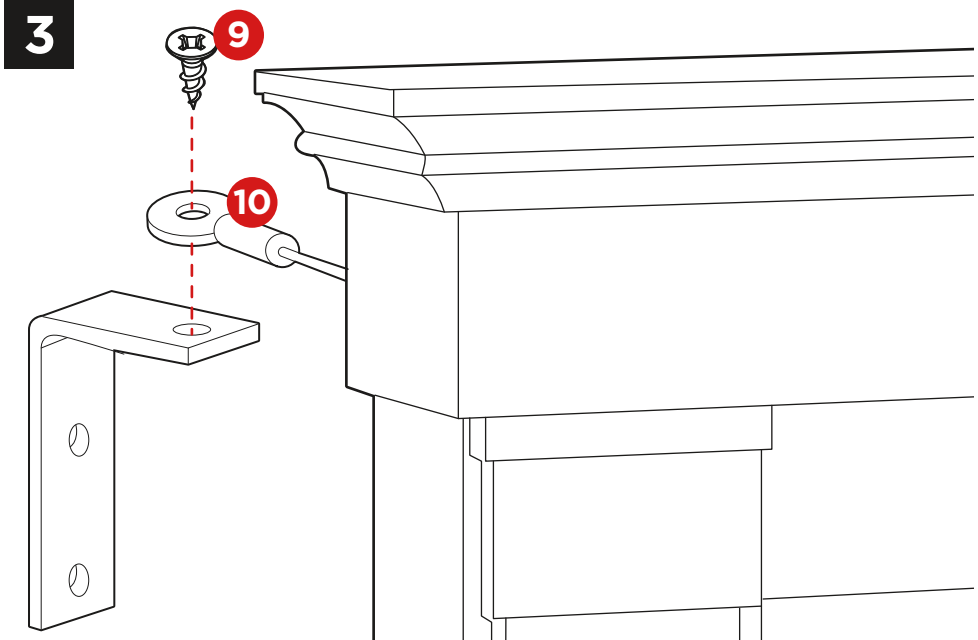


Attach the part 6 bracket to wall using two part 8 anchor screws.

If not securing the bracket to a stud, insert part 7 wall anchors into the wall before the anchor screws.



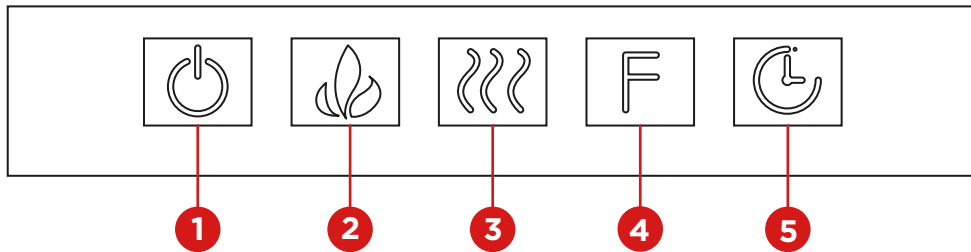
Secure one end of part 10 support anchor to the back of mantel with one part 3 screw.



Secure the other end of the support anchor to the bracket with the part 9 support screw.

HEATER/FIREPLACE OPERATION

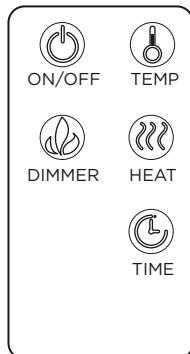
- This appliance has a safety-cut off that will engage if the fireplace overheats. The fireplace will NOT automatically reset for safety reasons. To reset the appliance, unplug the unit for 15 minutes and then plug it back in.
- This appliance can be controlled by the panel on the unit or the remote.
- Do not press the buttons more than once in two seconds; it takes some time for the fireplace to respond.



- 1. ON/OFF:** Turn the heating/display effect on and off.
- 2. DIMMER:** Controls the flame effect. Press to cycle through the different flame settings.
- 3. HEAT:** Controls the heating level. Note: The flame effect must be ON to turn on heat. Press to cycle through the low setting (750W), high setting (1500W), and the OFF setting. Fan may blow some air after heater turns off to cool down.
- 4. TEMP:** Controls the temperature level. Press to cycle through the heat levels, ranging from 62°F to 82°F, and the OFF setting.
- 5. TIMER:** Controls the automatic timer. Press to cycle through timer options (1 hour through 8 hours) and the OFF setting.

REMOTE CONTROL OPERATION

The remote has a 3V CR2025 lithium cell battery included. Remove the slip between the battery and contacts before operating the remote.



ON/OFF

TEMP - Adjust temperature settings

DIMMER - Adjust dimmer settings

HEAT - Adjust heat settings

TIME - Adjust timer settings

REPLACING BATTERIES

- Press the release and slide open the back panel of the remote.
- Remove the battery.
- Insert a brand new CR2025 battery, ensuring the "+" and "-" signs are in the correct order.
- Replace back panel.

WARNINGS REGARDING BATTERIES

- Do not mix alkaline, standard (carbon zinc) and rechargeable (nickel hydride) batteries.
- Do not mix old and new batteries.
- Non-rechargeable batteries should not be charged.
- Rechargeable batteries should be charged under adult supervision only.
- Exhausted batteries should be removed.
- The supply terminals should not be short-circuited.
- Do not put batteries next to or in a heat source (fire, electronic heating device, etc.).
- Do not hit batteries against hard objects.
- Do not submerge batteries in water.
- Batteries should be inserted with the correct polarity.



CARING FOR YOUR HEATER

- Turn unit off and unplug before any maintenance. Wait at least 15 minutes after unplugging before cleaning or maintenance.
- Use a vacuum/duster to keep vent area and heater clear of debris and dust.
- Fireplace exterior should be cleaned with a damp cloth or duster.
- Do not use abrasive cleaners or liquids.

PRODUCT WARRANTY INFORMATION

All items can be returned for any reason within 60 days of the receipt and will receive a full refund as long as the item is returned in its original product packaging and all accessories from its original shipment are included. All returned items will receive a full refund back to the original payment method. All returned items will not be charged a re-stocking fee.

All returned items require an RA (Return Authorization) number, which can only be provided by a Best Choice Products Customer Service Representative when the return request is submitted. Items received without an RA may not be accepted or may increase your return processing time. Once an item has been received by Best Choice Products, refunds or replacements will be processed within 5 business days.

All returns must be shipped back to the Best Choice Products Return Center at the customer's expense. If the reason for return is a result of an error by Best Choice Products then Best Choice Products will provide a pre-paid shipping label via email. Boxes for return shipping will not be provided by Best Choice Products, and is the customer's responsibility to either use the original shipping boxes or purchase new boxes.

Pictures may be required for some returns to ensure an item is not damaged prior to its return. Items returned are not considered undamaged until they are received by Best Choice Products and verified as such. All damages to items are the customer's responsibility until the item has been received by and acknowledge by Best Choice Products as undamaged.

CONTACT US; WE'RE HERE 7 DAYS A WEEK TO HELP YOU!



bestchoiceproducts.com



customerservice@bestchoiceproducts.com



844.948.8400



[LEARN MORE!](#)

WARNING

Manufacturer and seller expressly disclaim any and all liability for personal injury, property damage or loss, whether direct, indirect, or incidental, resulting from the incorrect attachment, improper use, inadequate maintenance, or neglect of this product.