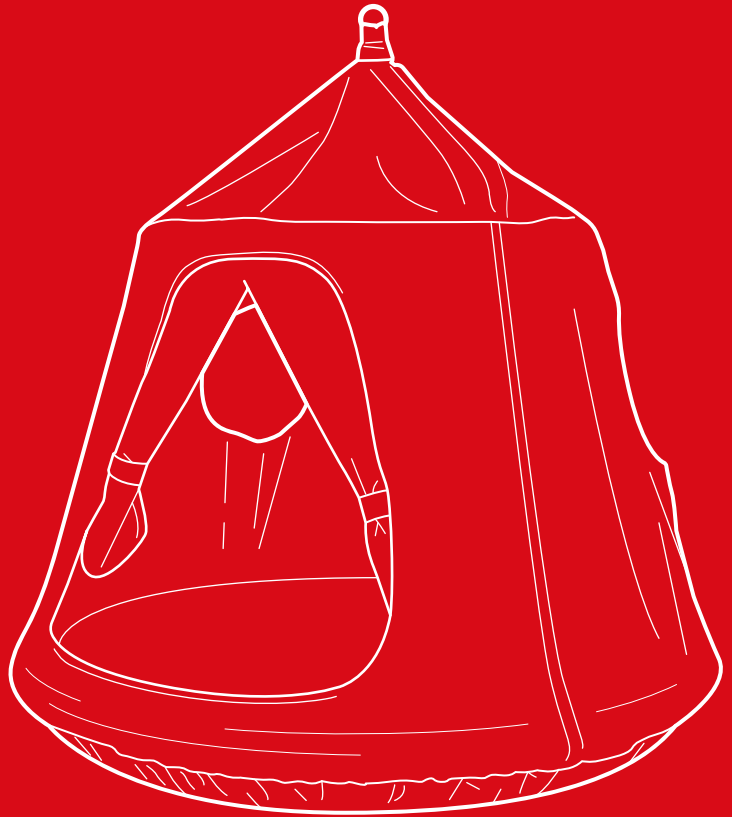




bestchoiceproducts



# INSTRUCTION MANUAL

---

Kids Tent Swing



bestchoiceproducts

---

As shoppers, we're always trying to find the perfect balance between quality & value. At BCP, we believe we've achieved that. Our diverse catalog of everyday essentials is tailored especially to our customers & guaranteed to hit that sweet spot of high quality & low price.

— Always. —

## **!** NOTICE

Please retain these instructions for future reference.

- Adult assembly and installation is required.
- This swing is for household, indoor/outdoor use only.
- Only use with adult supervision. Do not allow children to play alone.
- A maximum of two children are allowed on the swing at a time.
- Do not stand on or use any part of this item as a step ladder.
- Firmly secure all bolts, screws and knobs before use.
- Reconfirm that all bolts, screws, and knobs are secure every 90 days.
- This item is not intended for use by persons with reduced physical, sensory or mental capabilities, or lack of experience and knowledge, unless they have been given supervision or instruction concerning use of the item by a person responsible for their safety.
- If any parts are missing, broken, damaged, or worn, stop using this product until repairs are made and/or factory replacement parts are installed.
- Do not use this item in a way inconsistent with the manufacturer's instructions as this could void the product warranty.

**AGE RANGE:** 3 years old and up

## **USER WARNINGS**

- Before use, make sure the swing is in good condition and that the hardware/hanging points are secure.
- Do not use swing if equipment is wet.
- Do not swing beyond a 45° angle.
- Do not place anything underneath the swing that could hinder or obstruct the swinging motion.
- Do not attach items to the swing (jump ropes, clotheslines, cables, chains, etc.) as this could be strangulation hazard.
- User must dress appropriately to use swing. Do not wear loose clothing or clothing with cords and drawstrings.
- Remove shoes when using swing.
- Do not jump on the swing or jump into the swing. Step onto the swing carefully.
- Do not jump off the swing.
- Do not walk or stand in the proximity of a moving swing.
- Do not push an empty swing as it may hit a person and cause injury.
- Only sit in the swing; do not stand.
- During use, stay in the center of the swing.
- Maintain control of the swing at all times.
- Do not use if any part of the swing is broken or loose.

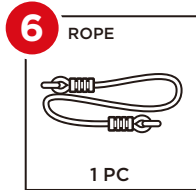
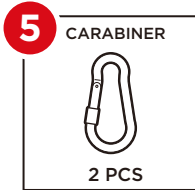
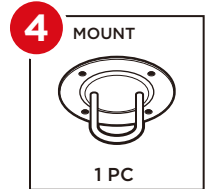
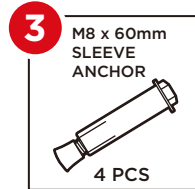
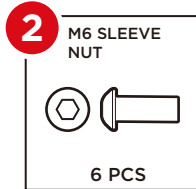
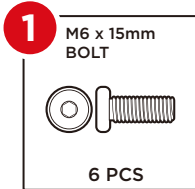
## TOOLS REQUIRED



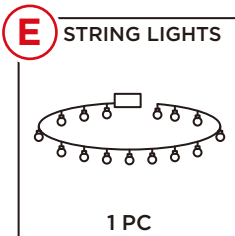
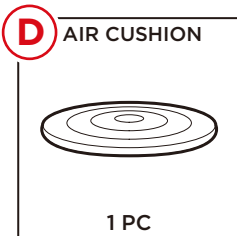
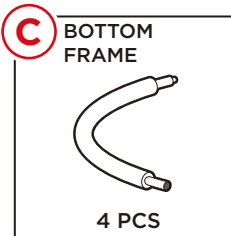
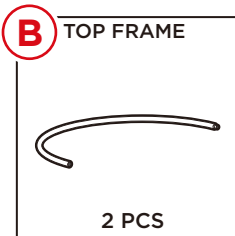
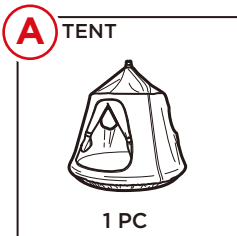
220 LBS  
CAPACITY  
(COMBINED)



## HARDWARE



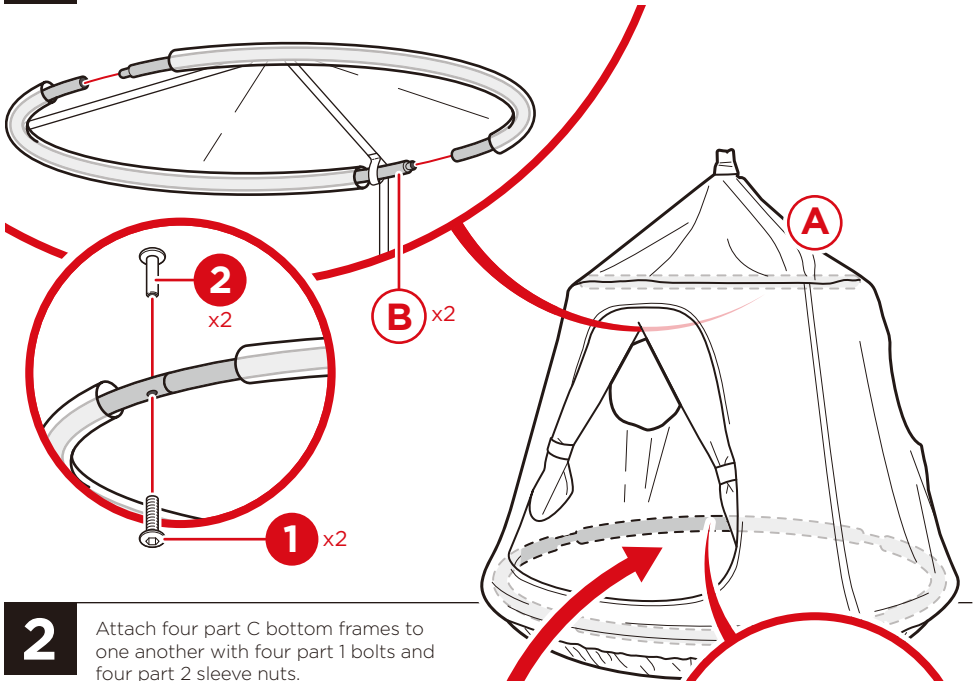
## PARTS



## PRODUCT ASSEMBLY

1

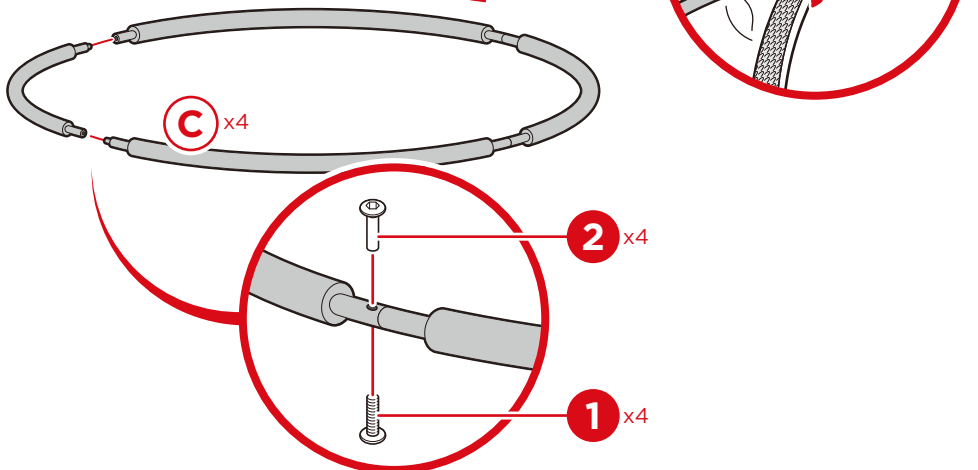
Slide two part B top frames into the designated sleeves inside the part A tent. Attach the top frames to one another with two part 1 bolts and two part 2 sleeve nuts.



2

Attach four part C bottom frames to one another with four part 1 bolts and four part 2 sleeve nuts.

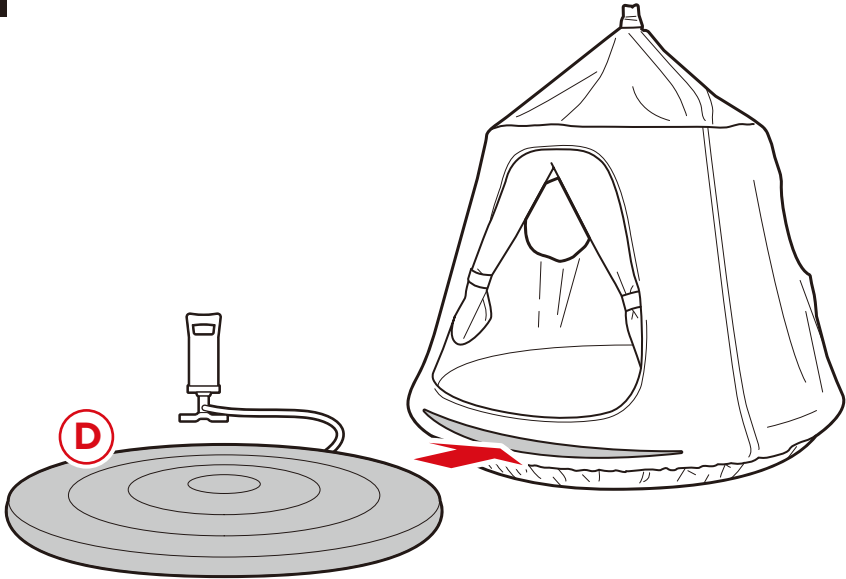
Secure the bottom frame to the bottom of the tent with the attached adhesive strips.



## PRODUCT ASSEMBLY

3

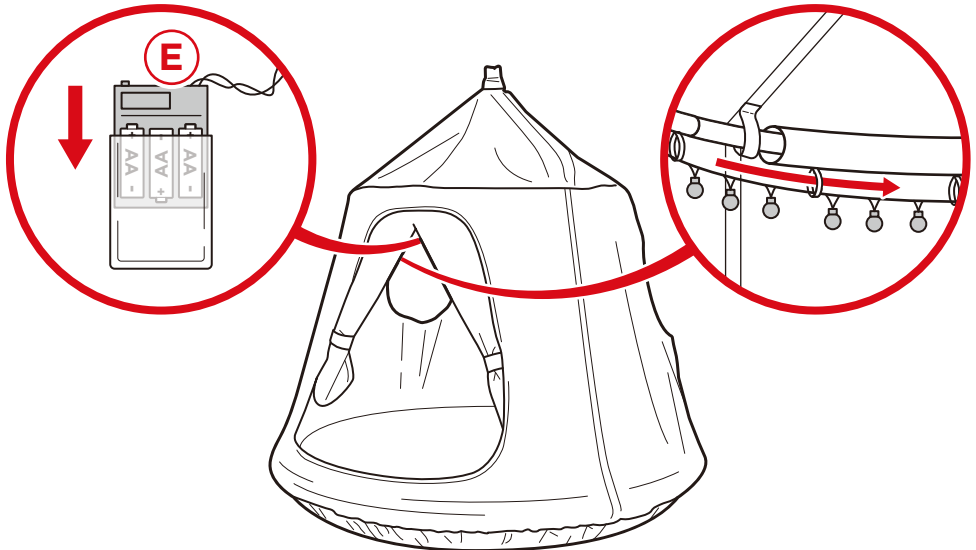
Use the air pump to inflate the part D air cushion. Place the air cushion in the zippered compartment at the bottom of the tent.



4

Install 3 AA batteries in the part E string lights. Place the battery box in the pocket, then route the string lights through the loops on the top of the tent.

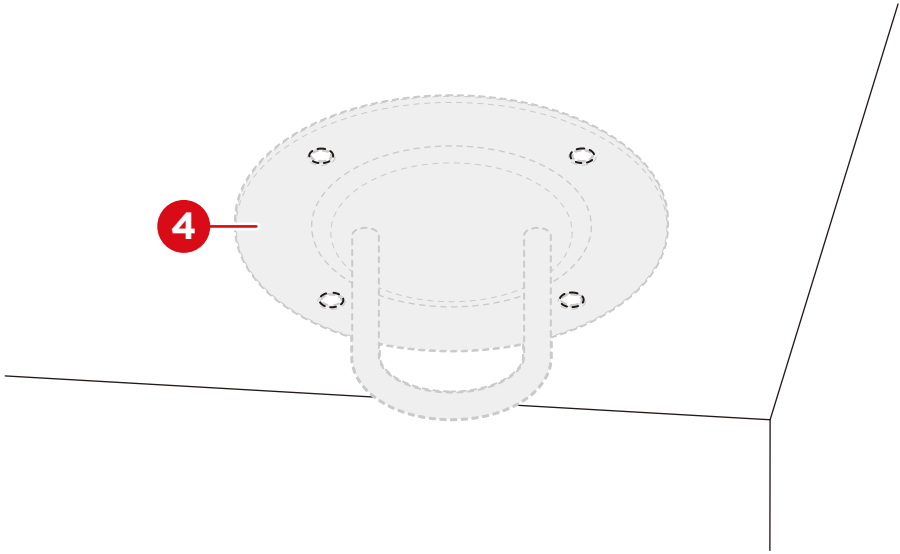
Use switch to cycle between OFF, ON, and FLASHING.



## MOUNTING SWING

1

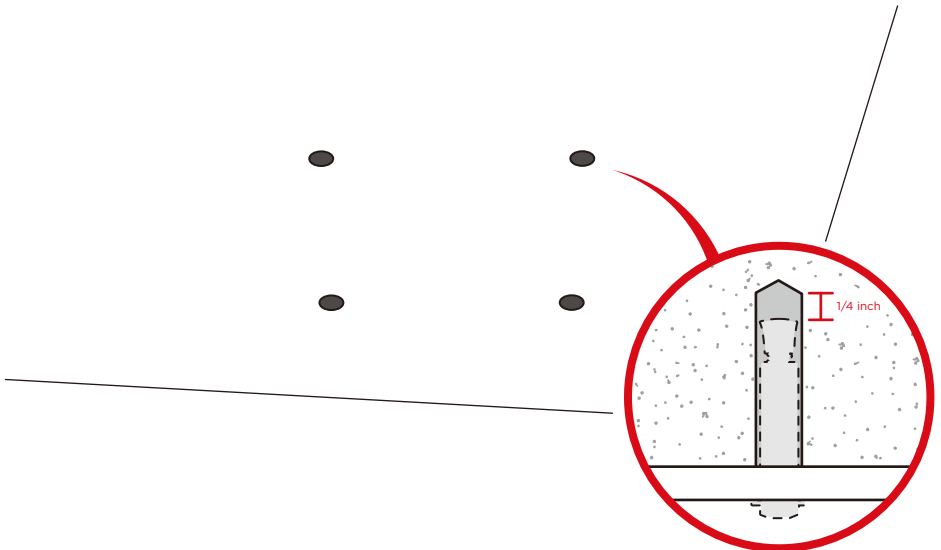
Line up the part 4 mount and use a pencil to mark the desired mounting location.



2

Drill four holes at the mounting location.

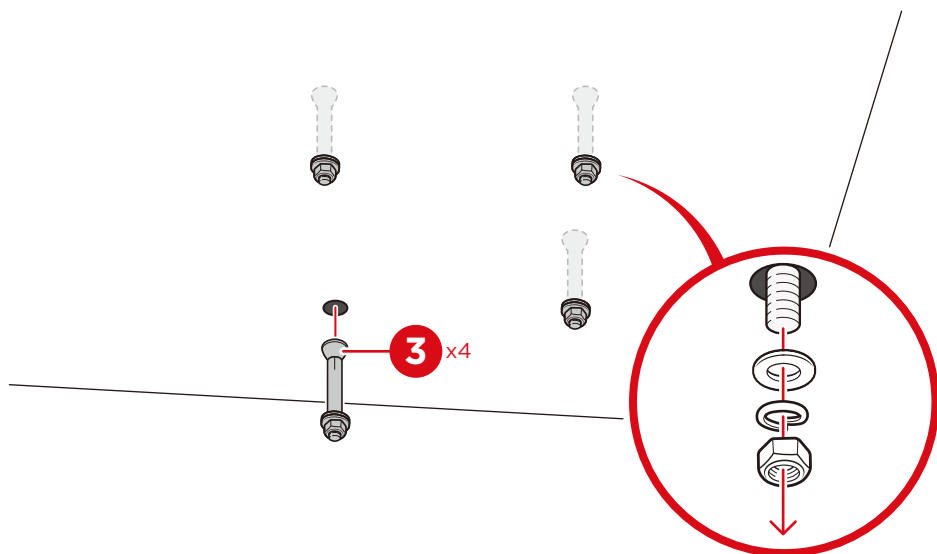
**NOTE:** Drill approximately a 1/4" deeper than the length of the sleeve anchor.



## MOUNTING SWING

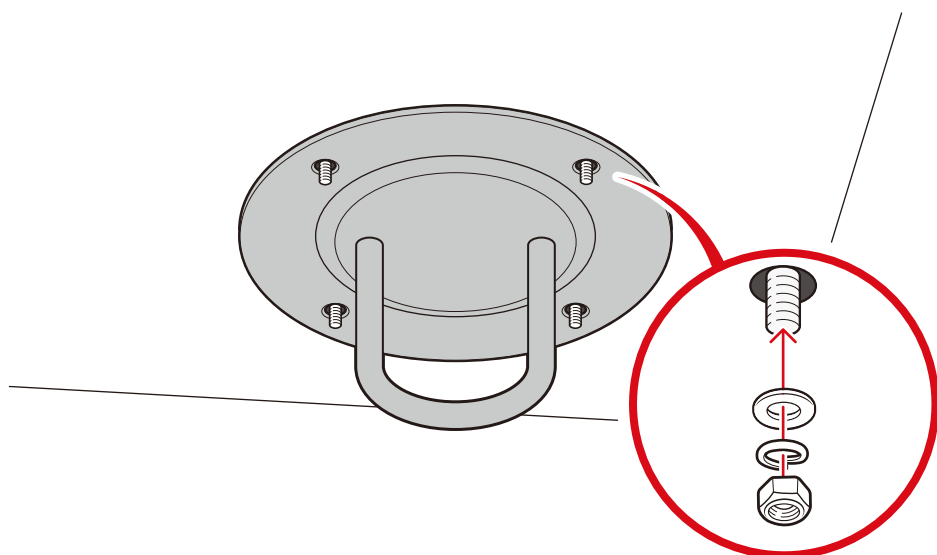
**3**

Insert four part 3 sleeve anchors into the holes. Use a hammer if necessary.  
Remove the nuts/washers from the sleeve anchors.



**4**

Place the mount, then tighten the nuts to secure the mount.



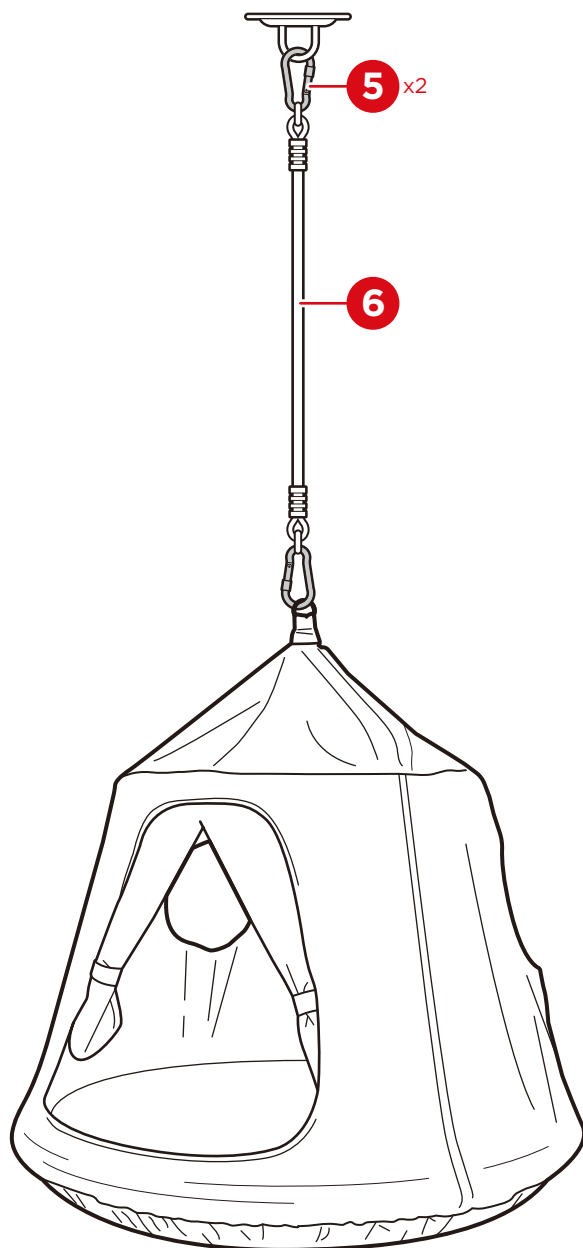


## MOUNTING SWING

5

Use the part 5 carabiners and part 6 rope to hang the tent swing from the mount.

**NOTE:** The swing can also be installed on a stand, tree branch, beam, etc.



## INSTALLATION TIPS

- Make sure overhead structure can support a minimum of 220 lbs. If hanging from a tree, diameter of tree limb should be 10 inches.
- Have adults test the overhead structure by pulling down or sitting in the swing.
- Do not install over concrete, asphalt, or hard ground.
- Swing should have a fall zone surrounding of the swing.
  - Fall zone should extend a minimum of 18 inches on each side and twice the swing height on the front/back.
- Place soft padding around the swing if ground is too hard.
- Do not use in a place with excessive sunlight. In warm weather, make sure that the tent swing surface is not too hot.
- Swing height should be 12 to 18 inches above the ground.
- Swing must have at least 6.5 feet of overhead and side clearance from any structure or obstruction such as a fence, garage, house, branches, wires, etc.
- Install in an area clear of wires, walls, structures, furniture, etc.

## CARE AND MAINTENANCE

- Reconfirm that all nuts, bolts, and screws are tight and secure.
- Grease hardware and hanging points regularly.
- Check hardware and hanging points for rust which could affect their strength. Replace if necessary.
- Check seat, air cushion, and tent for excessive wear and tear.
- Check ropes for fraying, wear, or breakage. Replace if necessary.
- Do not leave the tent swing outdoors for an extended period of time.
- In winter season, it is recommended that the tent swing is stored indoors.
- To clean, wipe down with a damp cloth.
- Store in a dry place away from direct sunlight.
- Cover or store in a bag if unused for an extended period of time.

Earn points while you shop. Join today!

bestchoiceproducts  
**rewards**

Join | Earn | Redeem

Give your friends 15% off their first order! For each successful referral you'll receive 100 points.

[bestchoiceproducts.com](https://bestchoiceproducts.com)



# HELP CENTER



Question about your product? We're here to help. Visit us at:

[help.bestchoiceproducts.com](http://help.bestchoiceproducts.com)



Chat Support



Product Inquiry



Orders FAQ



Product Assembly



Returns & Refunds

## PRODUCT WARRANTY INFORMATION

All items can be returned for any reason within 60 days of the receipt and will receive a full refund as long as the item is returned in its original product packaging and all accessories from its original shipment are included. All returned items will receive a full refund back to the original payment method. All returned items will not be charged a re-stocking fee.

All returned items require an RA (Return Authorization) number, which can only be provided by a Best Choice Products Customer Service Representative when the return request is submitted. Items received without an RA may not be accepted or may increase your return processing time. Once an item has been received by Best Choice Products, refunds or replacements will be processed within 5 business days.

All returns must be shipped back to the Best Choice Products Return Center at the customer's expense. If the reason for return is a result of an error by Best Choice Products then Best Choice Products will provide a pre-paid shipping label via email. Boxes for return shipping will not be provided by Best Choice Products, and is the customer's responsibility to either use the original shipping boxes or purchase new boxes.

Pictures may be required for some returns to ensure an item is not damaged prior to its return. Items returned are not considered undamaged until they are received by Best Choice Products and verified as such. All damages to items are the customer's responsibility until the item has been received by and acknowledge by Best Choice Products as undamaged.

## WARNING

Manufacturer and seller expressly disclaim any and all liability for personal injury, property damage or loss, whether direct, indirect, or incidental, resulting from the incorrect attachment, improper use, inadequate maintenance, or neglect of this product.