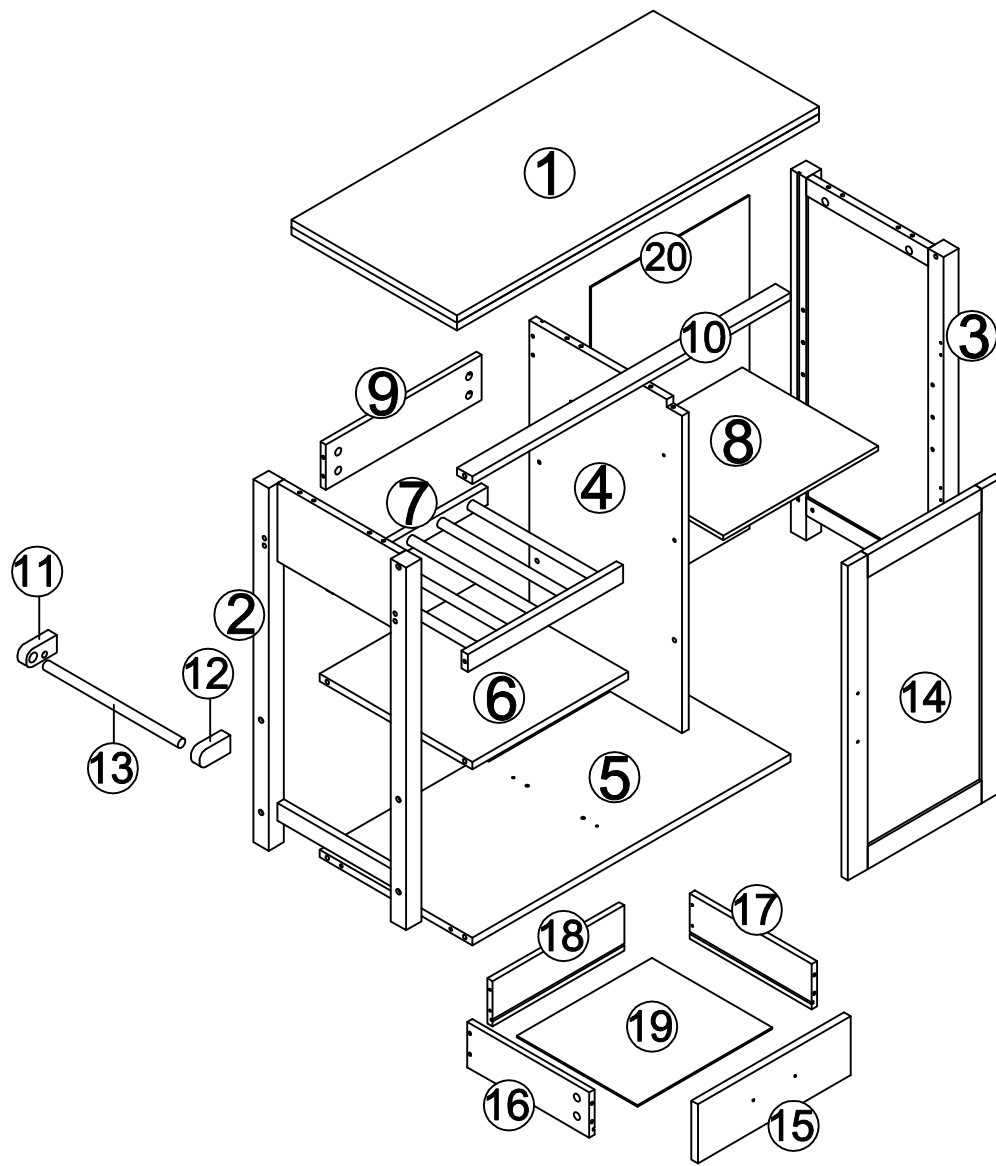
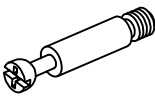

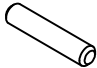


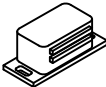

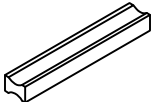






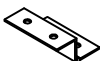

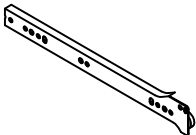
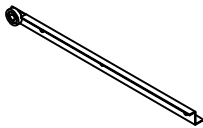
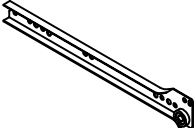
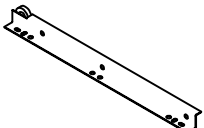
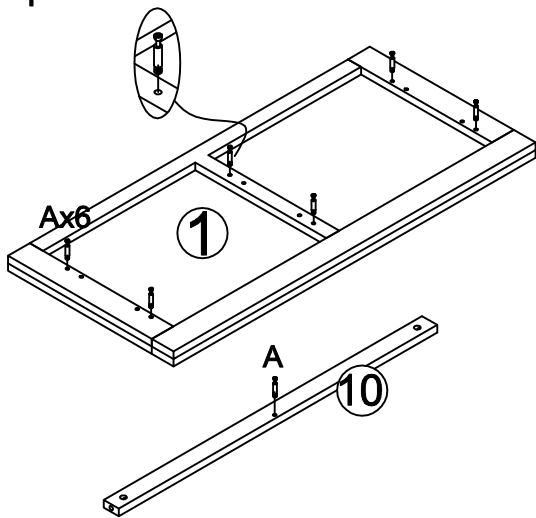


## SKY3993 ASSEMBLY INSTRUCTION



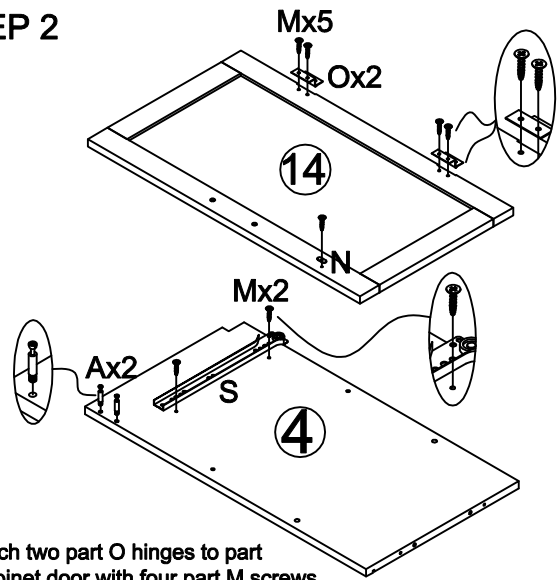
Ax15 	Bx15 	Cx18 	Dx12 
Ex12 	Fx1 	Gx4 	Hx2 
Ix2 	Jx2 	Kx2 	Lx4 
Mx19 	Nx1 	Ox2 	Px4 
Qx1 	Rx1 	Sx1 	Tx1 

### STEP 1

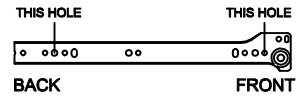


- 1: Attach six part A screws underneath part 1 tabletop. Attach one part A screw to the middle of part 10 support.

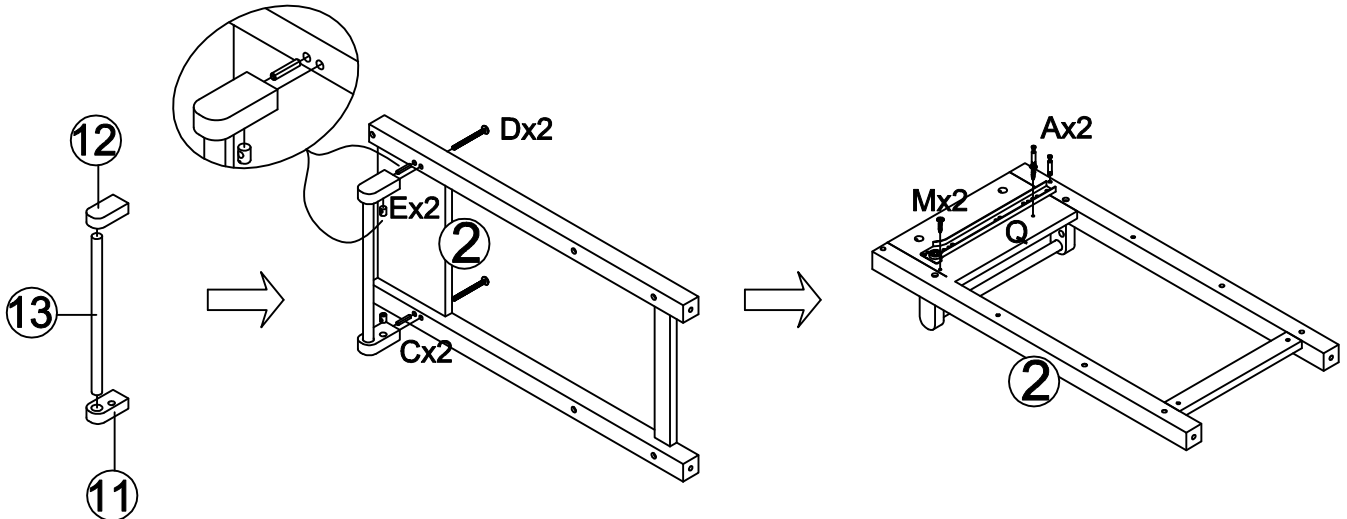
### STEP 2



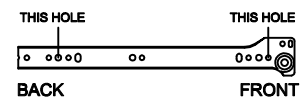
- 1: Attach two part O hinges to part 14 cabinet door with four part M screws.
- 2: Attach part N to part 14 cabinet door with one part M screw.
- 3: Attach two part A screws to part 4 divider.
- 4: Attach part S track to part 4 divider with two part M screws (see diagram).



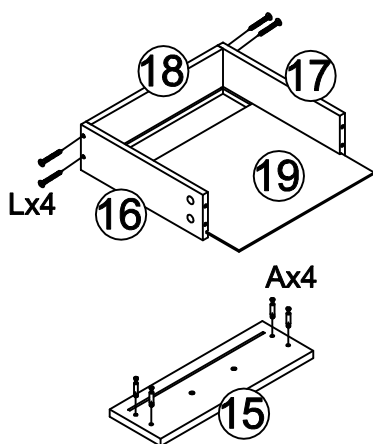
### STEP 3



- 1: Connect part 11 left arm and part 12 right arm to part 13 towel rack.
- 2: Attach towel rack to part 2 left side with two part E barrel nuts, two part C dowels, and two part D screws.
- 3: Attach part Q track to inside of part 2 left side with two part M screws (see diagram).
- 4: Attach two part A screws to part 2 left side.

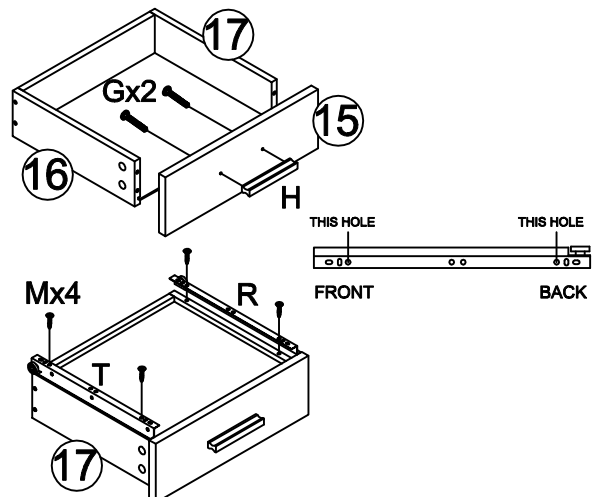


### STEP 4



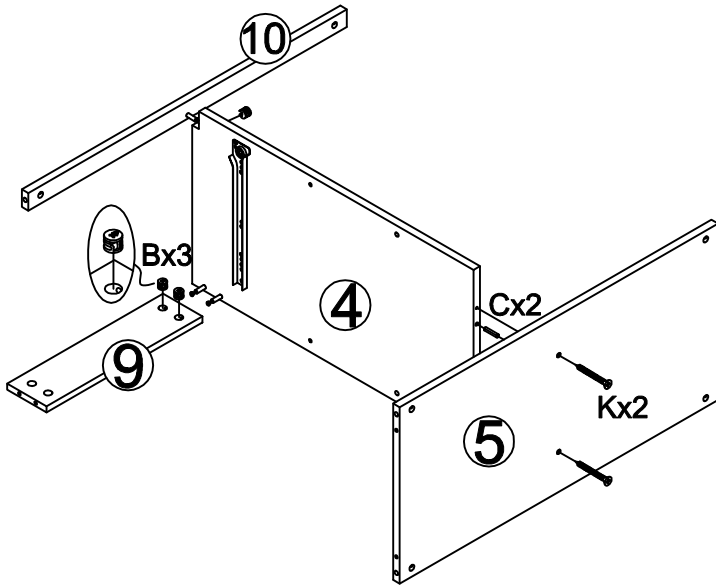
- 1: Attach part 16 left panel and part 17 right panel to part 18 back panel with part L screws.
- 2: Slide part 19 drawer bottom into assembled drawer frame.
- 3: Attach four part A screws to the inside of part 15 drawer face,

### STEP 5



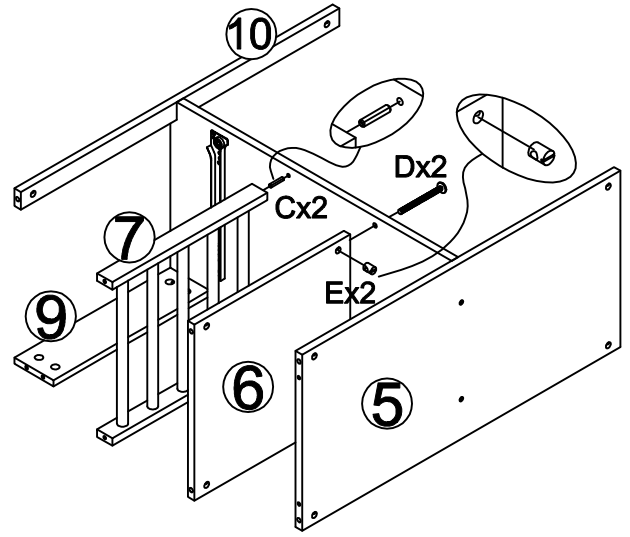
- 1: Attach part H handle to part 15 drawer face with two part G screws.
- 2: Connect drawer face to drawer frame.
- 3: Attach part T right track and part R left track to the bottom of drawer with four part M screws (see diagram).

## STEP 6



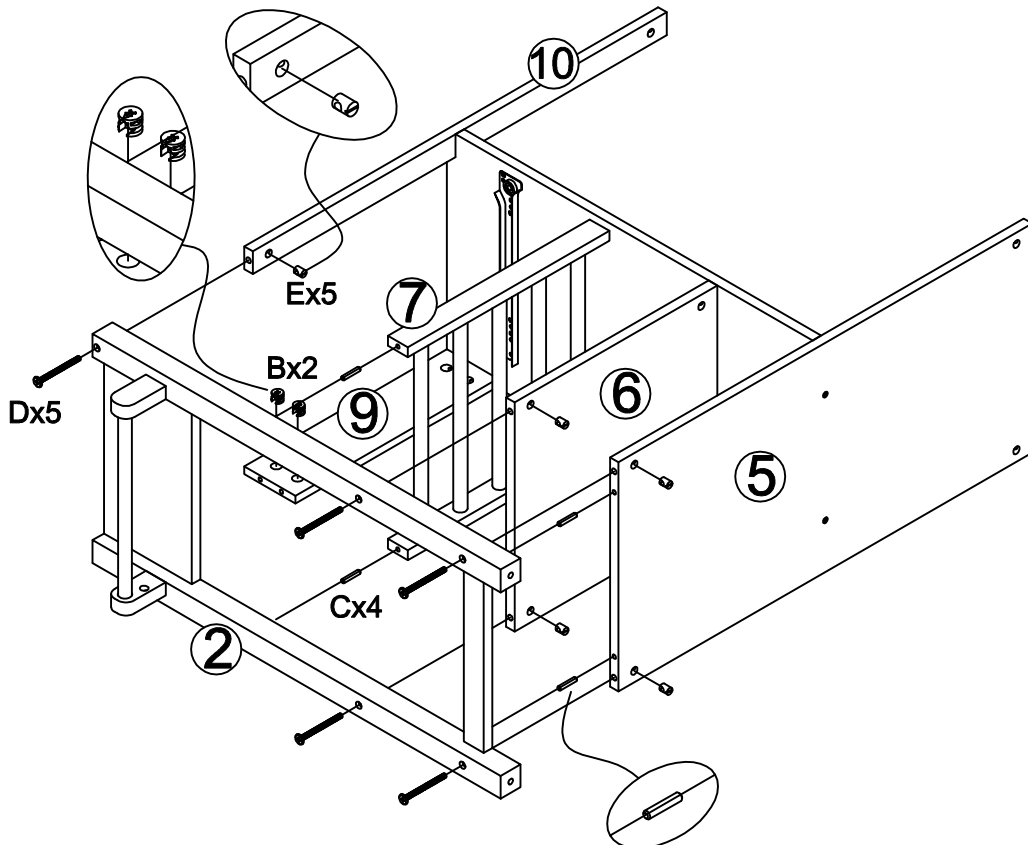
- 1: Attach part 5 board to part 4 divider with two part K screws and two part C dowels.
- 2: Connect part 9 panel to part 4 divider with exposed dowels and two part B cam connectors.
- 3: Connect part 10 to part 4 divider with exposed dowel and one part B cam connector.

## STEP 7



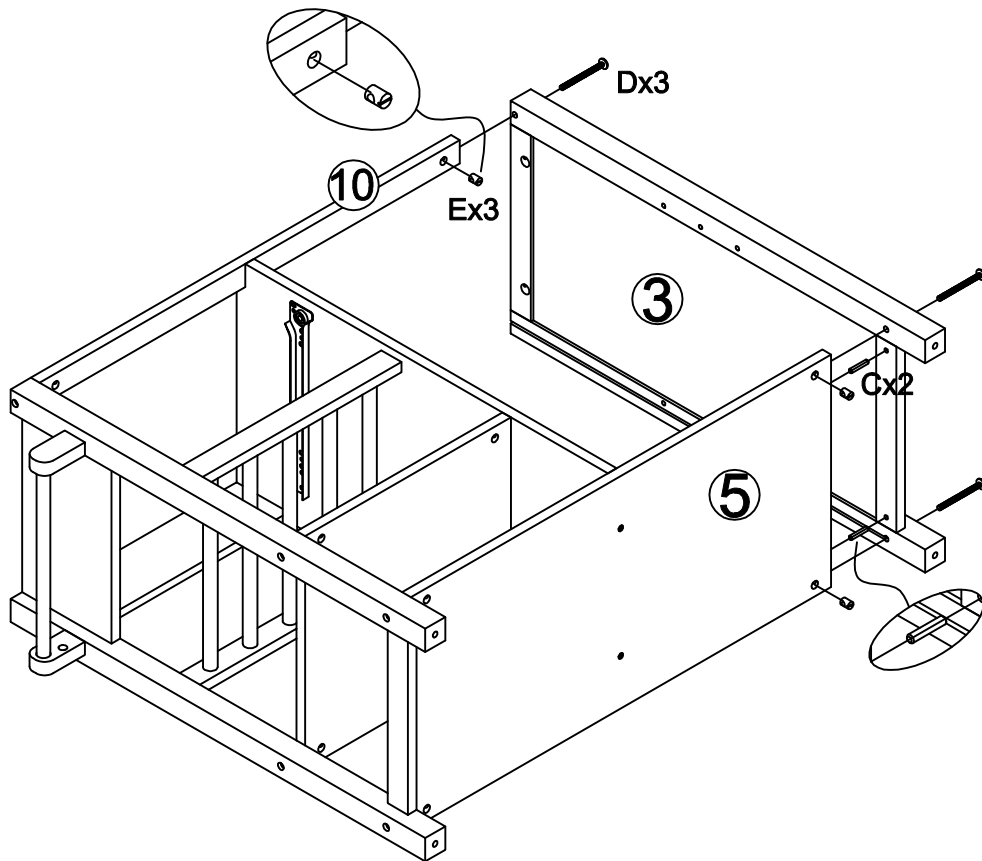
- 1: Attach part 6 shelf to part 4 divider with two part D screws and two part E barrel nuts.
- 2: Attach part 7 slotted shelf to part 4 divider with two part C screws.

## STEP 8



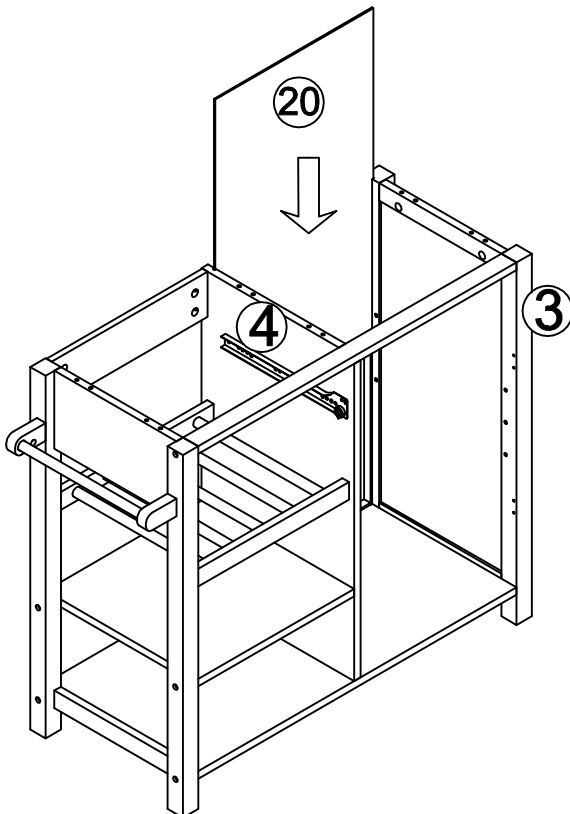
- 1: Attach part 2 left side to cart frame with five part D screws, five part E barrel nuts, four part C dowels, and two part B cam connectors.

## STEP 9



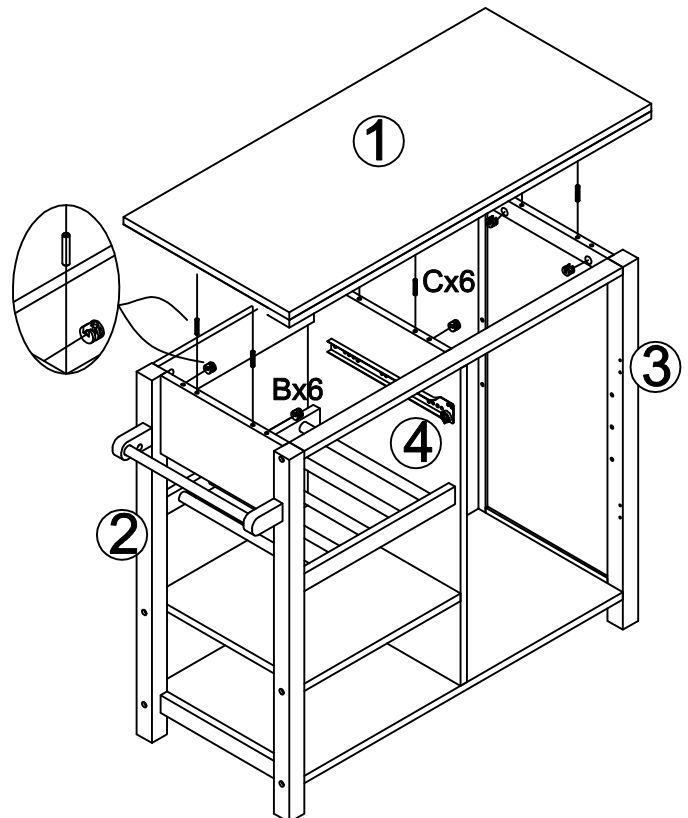
1: Attach part 3 right side to cart frame with three part D screws, two part C dowels, and three part E barrel nuts.

## STEP 10



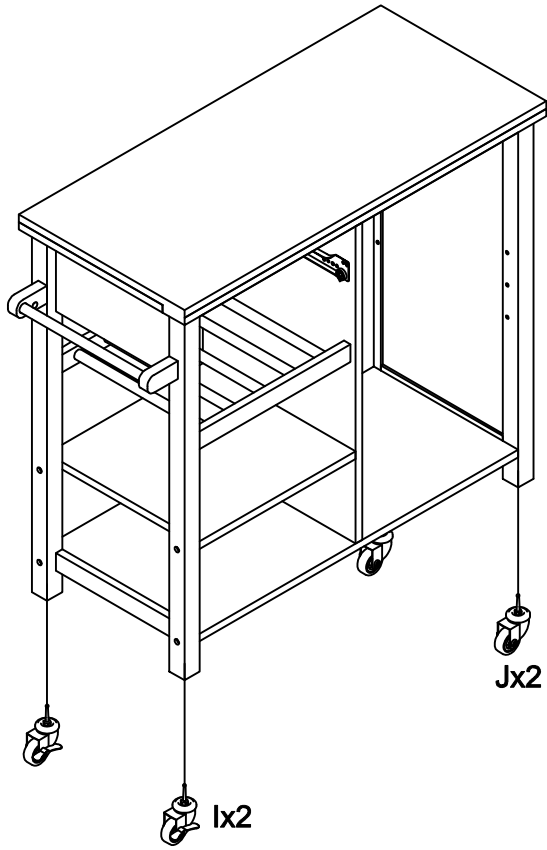
1: Slide part 20 back panel between part 4 divider and part 3 right side.

## STEP 11



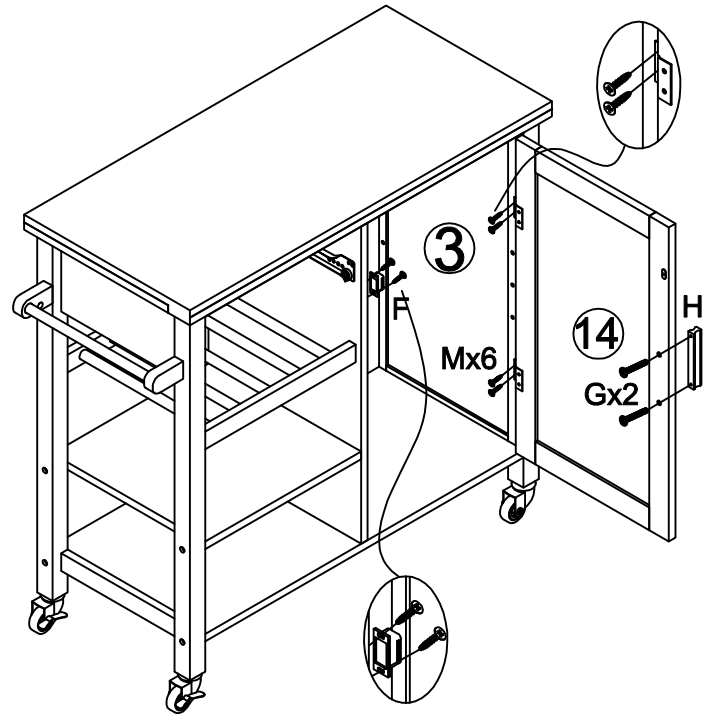
1: Connect part 1 tabletop to cart frame with six part C dowels and six part B cam connectors.

## STEP 12



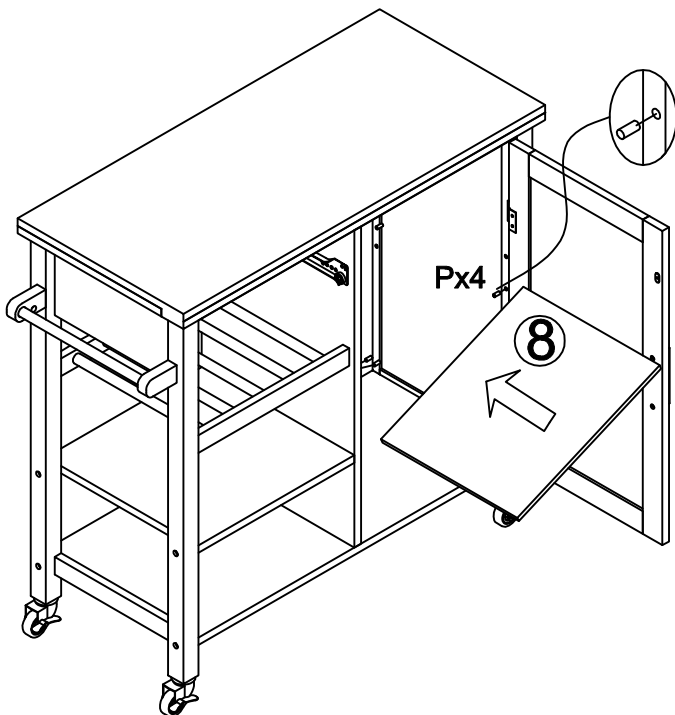
1: Connect part I locking wheel casters and part J wheel casters to corresponding sides.

## STEP 13



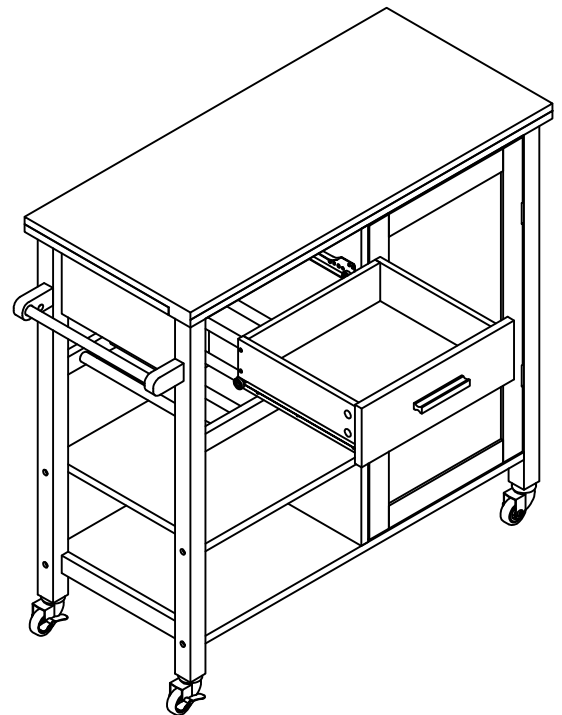
1: Attach part H handle to part 14 cabinet door with two part G screws.  
2: Attach part F magnet to interior of cabinet on part 4 divider with two part M screws.  
3: Attach part 14 cabinet door to cabinet with four part M screws.

## STEP 14



1: Insert four part P pegs into cabinet.  
2: Place part 8 shelf into cabinet.

## STEP 15



1: Slide drawer onto track.