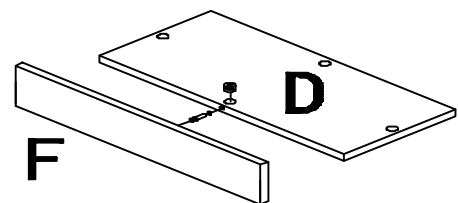
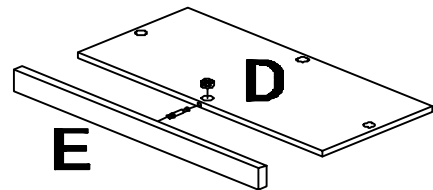


Ax1		Ix1	
Bx1		Jx25	
Cx1		Kx25	
Dx3		Lx16	
Ex2		Mx2	
Fx1		Nx2	
Gx1		Ox1	
Hx1		Qx1	

1

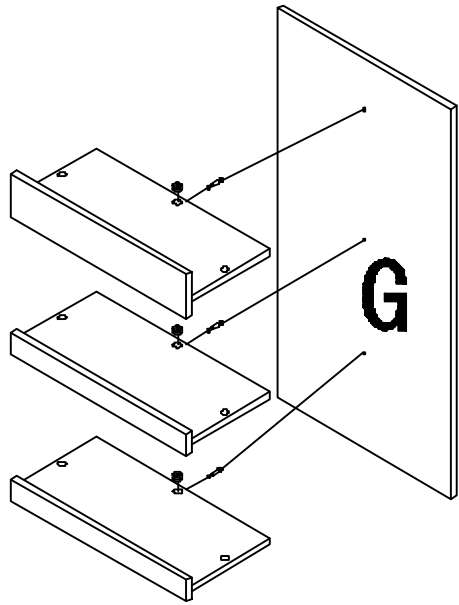


Jx3

Kx3



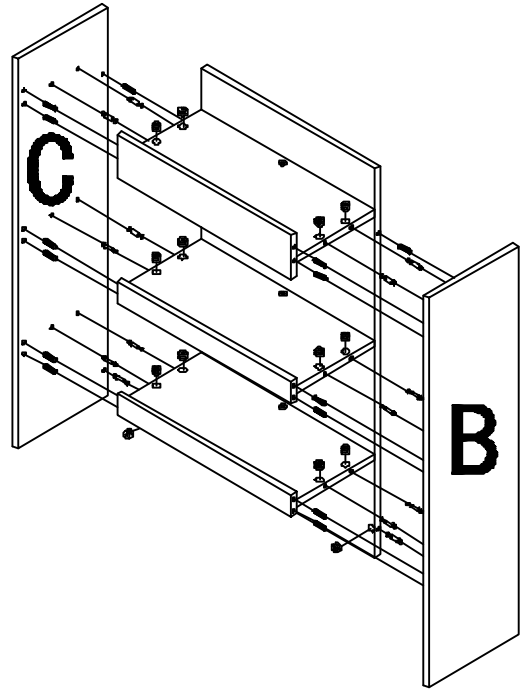
2





Jx3 

Kx3 

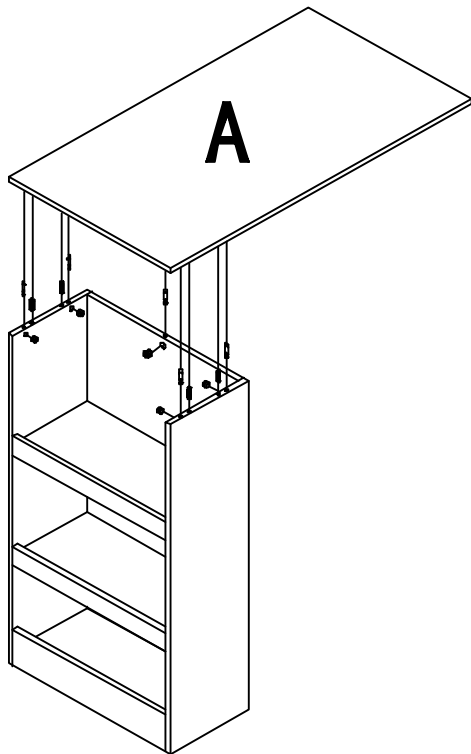
3



Lx14 
Jx14 

Kx14 

4

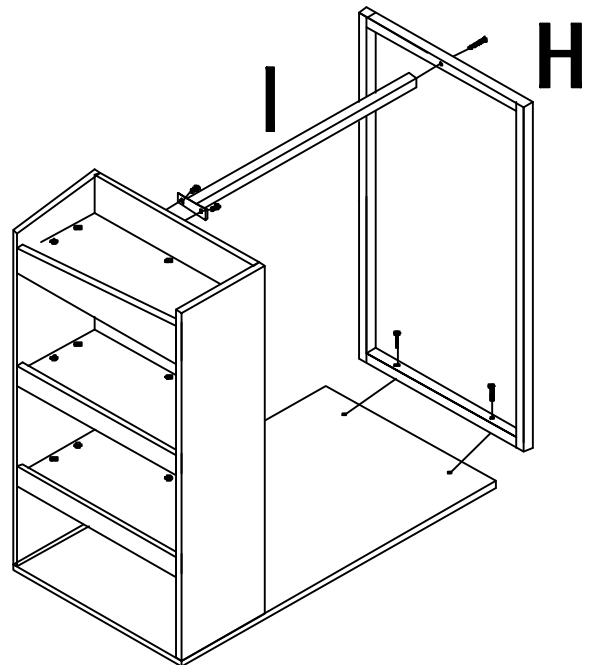


Lx2 

Jx5 

Kx5 

5



Mx2 

Nx2 

Ox1 