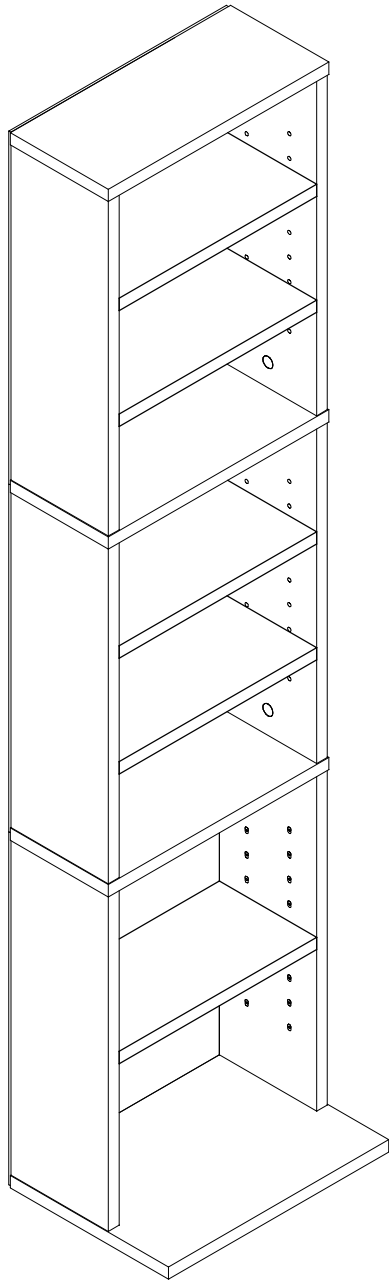







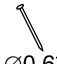
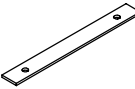




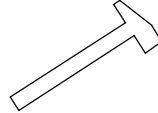
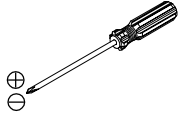


Assembly Instruction



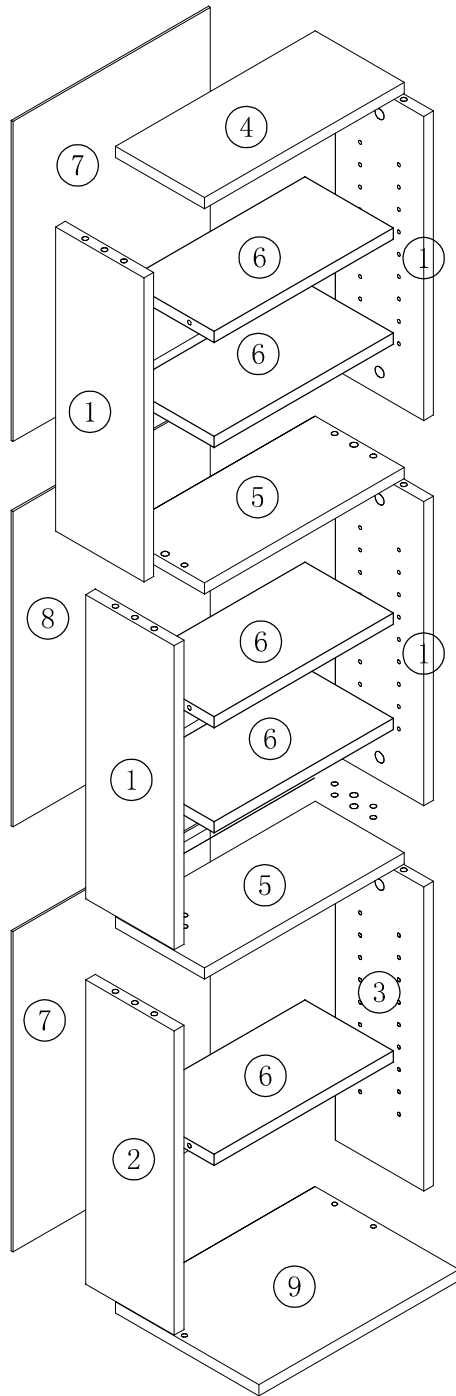
HARDWARE LIST

<p>A</p>  <p>× 10</p>	<p>B</p>  <p>× 10</p>	<p>C</p>  <p>∅8*35 × 4</p>	<p>D</p>  <p>∅8*60 × 8</p>
<p>E</p>  <p>∅7*50 × 4</p>	<p>F</p>  <p>× 20</p>	<p>G</p>  <p>× 4</p>	<p>H</p>  <p>∅0.6*16 × 36</p>
<p>I</p>  <p>× 2</p>	<p>J</p>  <p>× 4</p>	<p>K</p>  <p>∅3.5*14 × 2</p>	<p>L</p>  <p>∅3.5*35 × 2</p>
<p>M</p>  <p>× 2</p>			

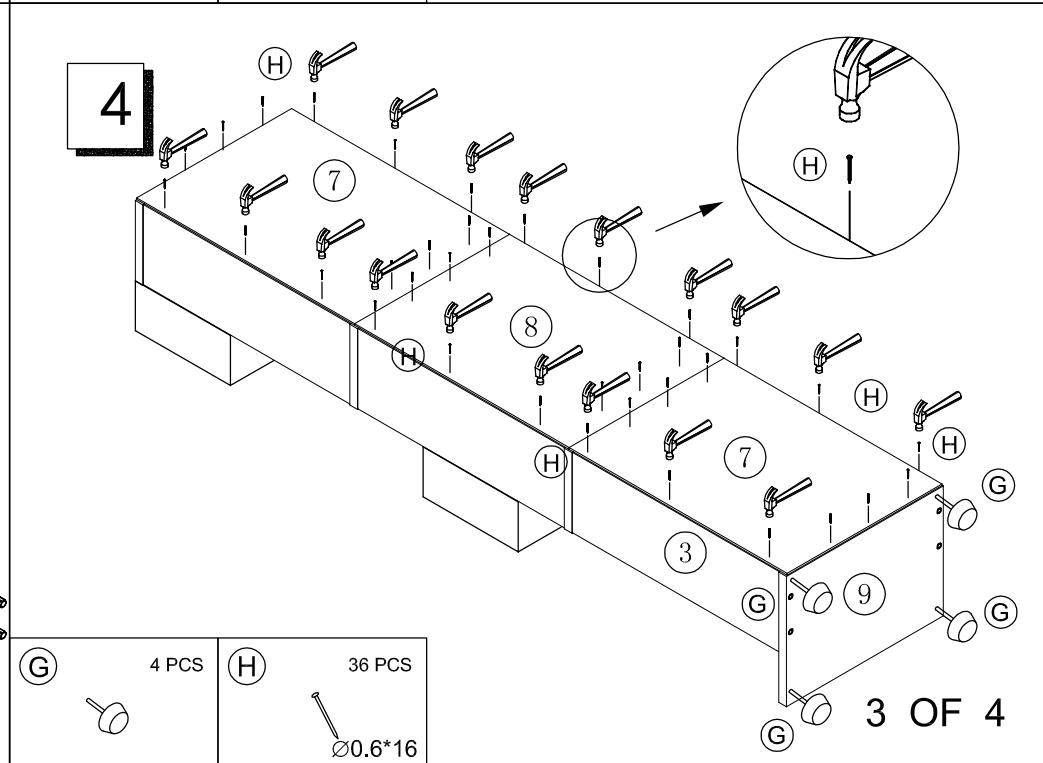
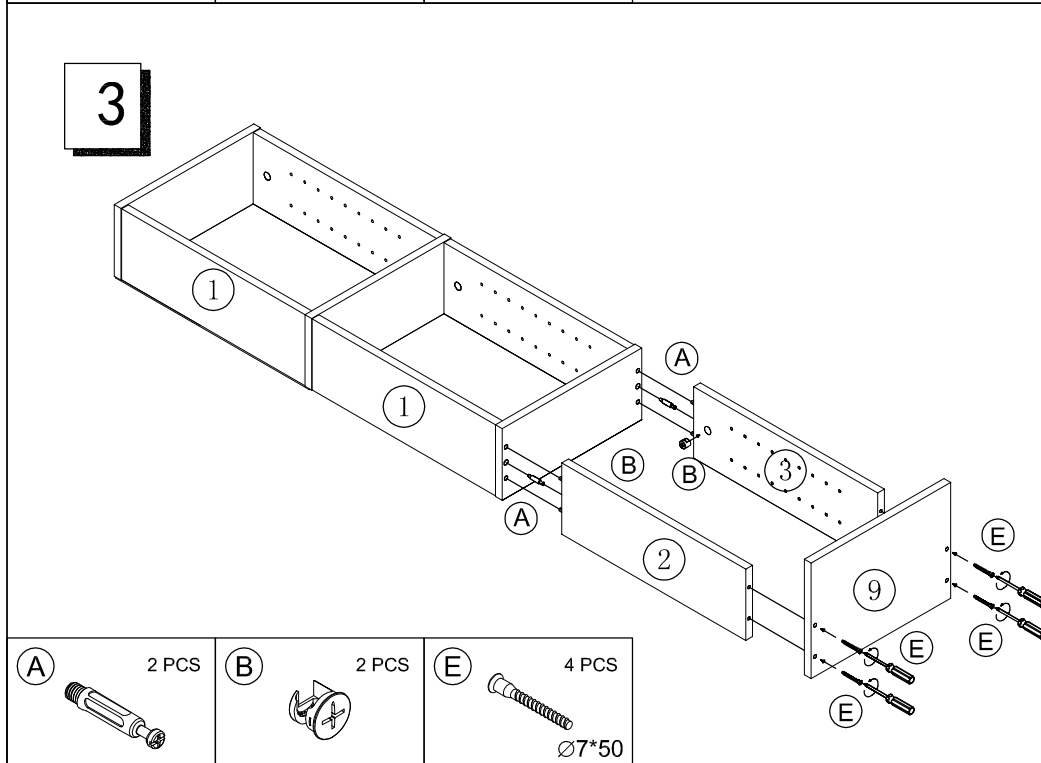
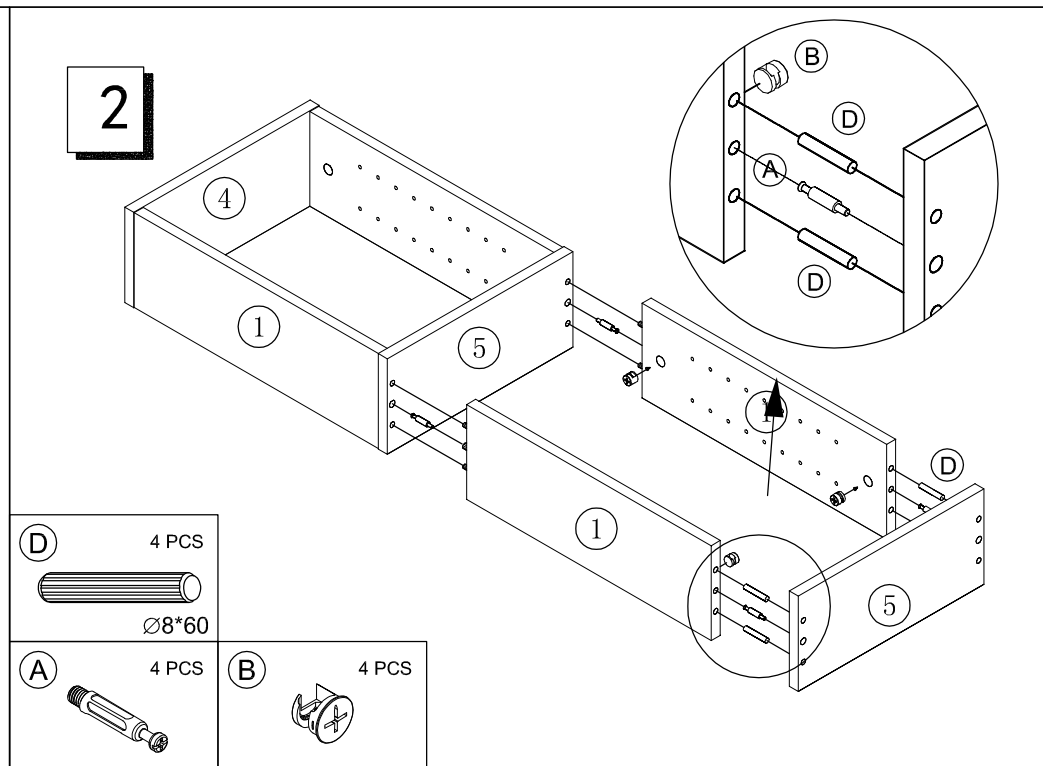
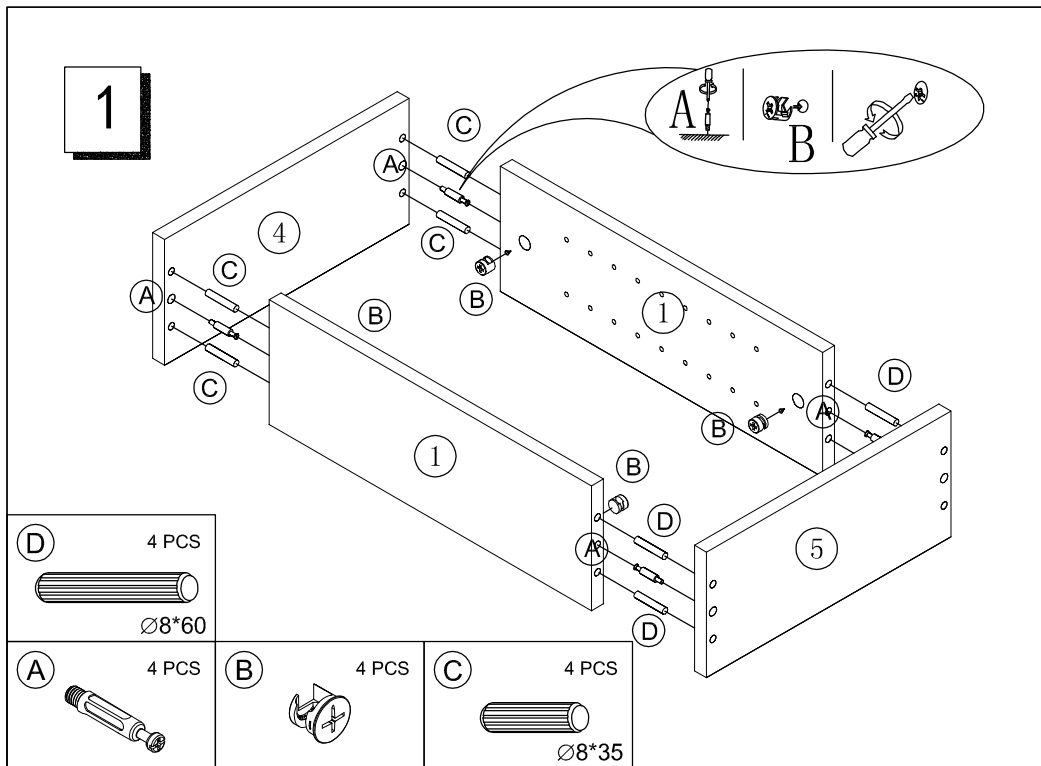
 Hammer and Screwdriver
 are not included !!



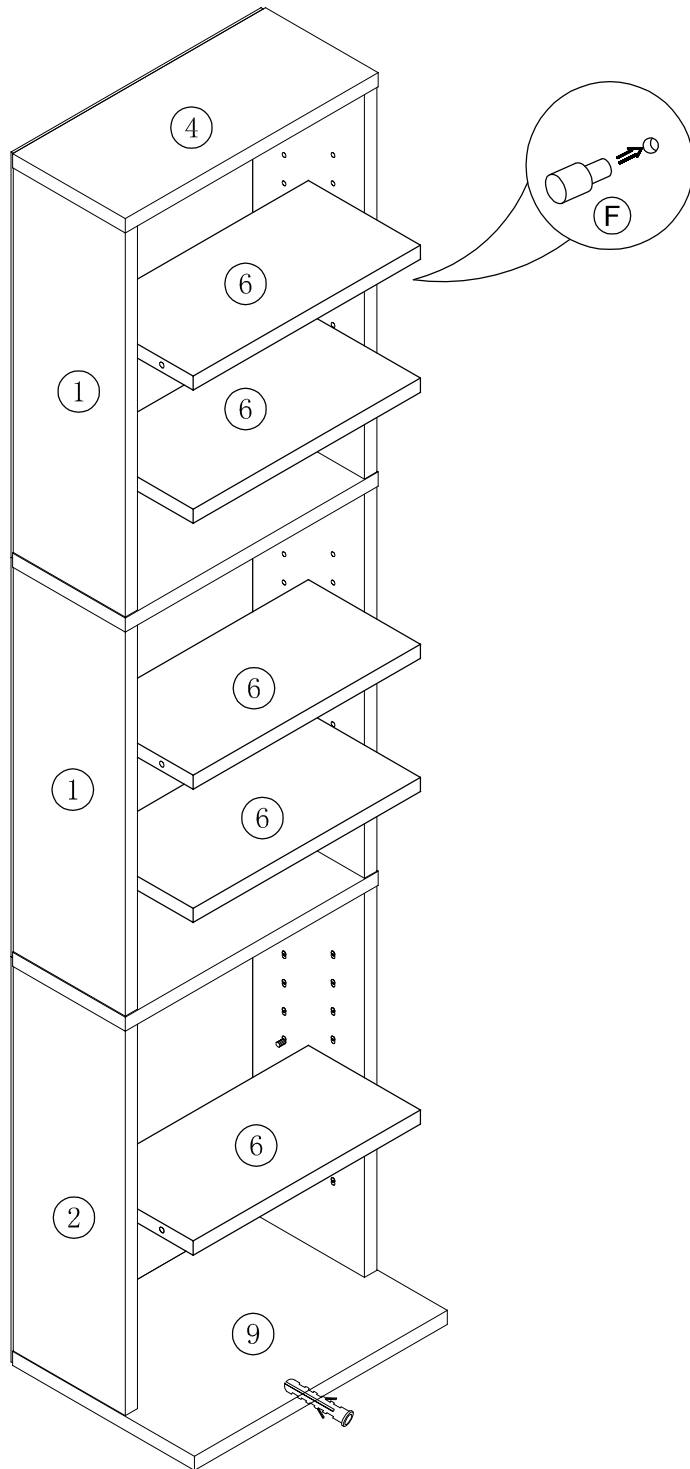


PARTS LIST

①	4		
②	1		
③	1		
④	1		
⑤	2		
⑥	5		
⑦	2		
⑧	1		
⑨	1		

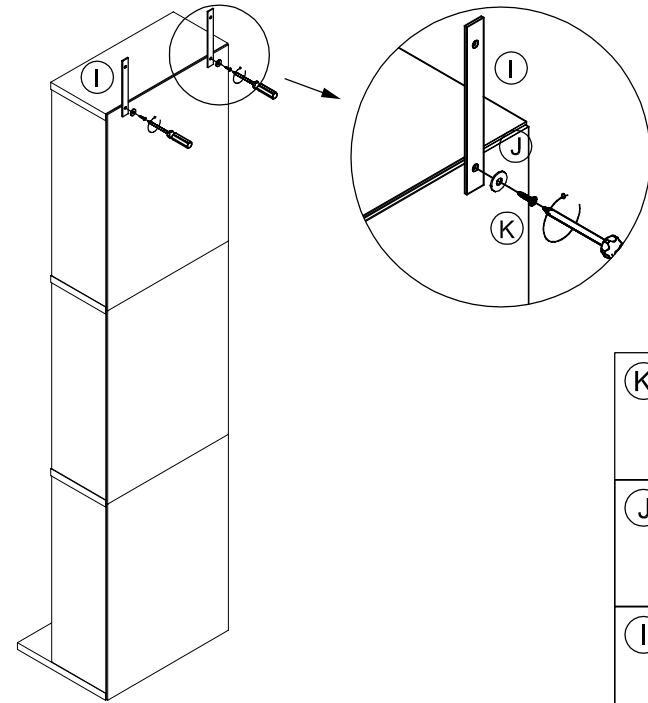


5



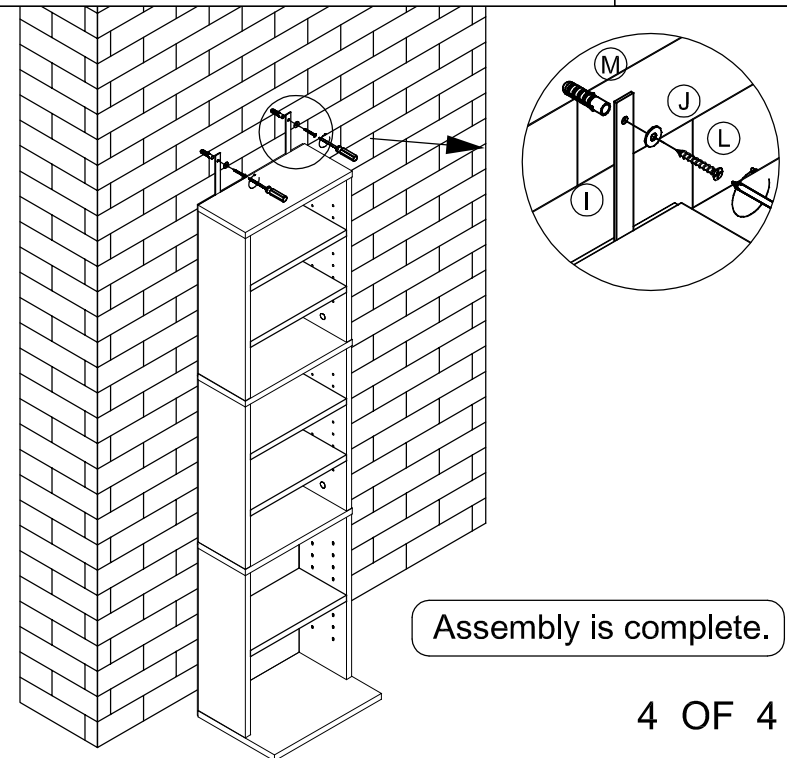
- (F) 20 PCS

6



- (K) 2 PCS
Ø3.5*14
- (J) 2 PCS
- (I) 2 PCS

7



- (L) 2 PCS
Ø3.5*35
- (M) 2 PCS
- (J) 2 PCS

Assembly is complete.