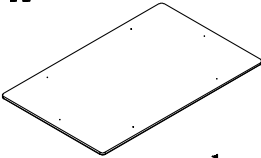
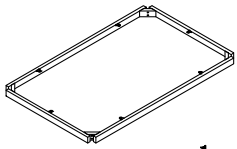

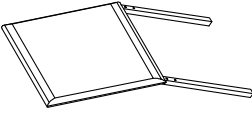
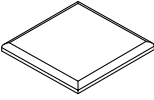

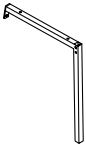

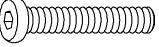



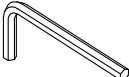

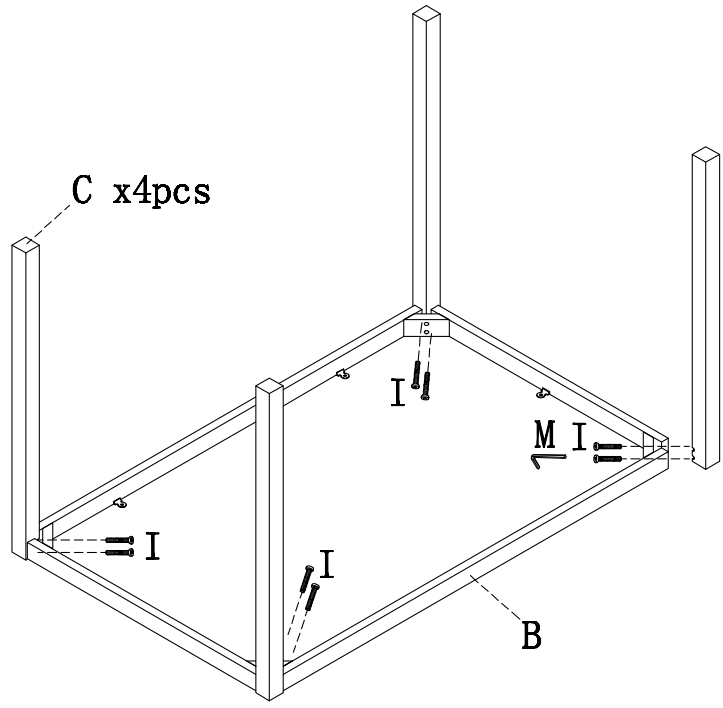


<p>A</p>  <p>1pc</p>	<p>B</p>  <p>1pc</p>	<p>C</p>  <p>4pcs</p>	<p>D</p>  <p>4pcs</p>	<p>E</p>  <p>4pcs</p>
<p>F</p>  <p>4pcs</p>	<p>G</p>  <p>4pcs</p>	<p>H</p>  <p>4pcs</p>	<p>I</p>  <p>M8*45mm</p> <p>8pcs</p>	<p>J</p>  <p>M6*30mm</p> <p>32pcs</p>
<p>K</p>  <p>M6*12mm</p> <p>16pcs</p>	<p>L</p>  <p>ø4*12mm</p> <p>6pcs</p>	<p>M</p>  <p>5mm</p> <p>1pc</p>	<p>N</p>  <p>4mm</p> <p>1pc</p>	

1

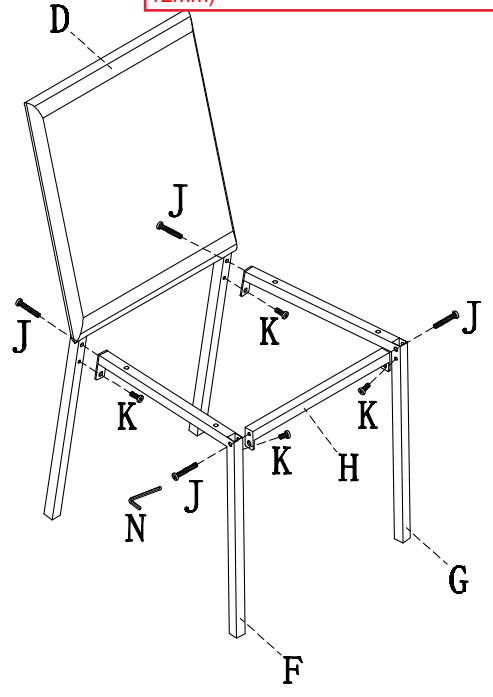
Use part M hex key to attach part C table legs to part B frame with eight part I screws (M8 x 45mm)



3

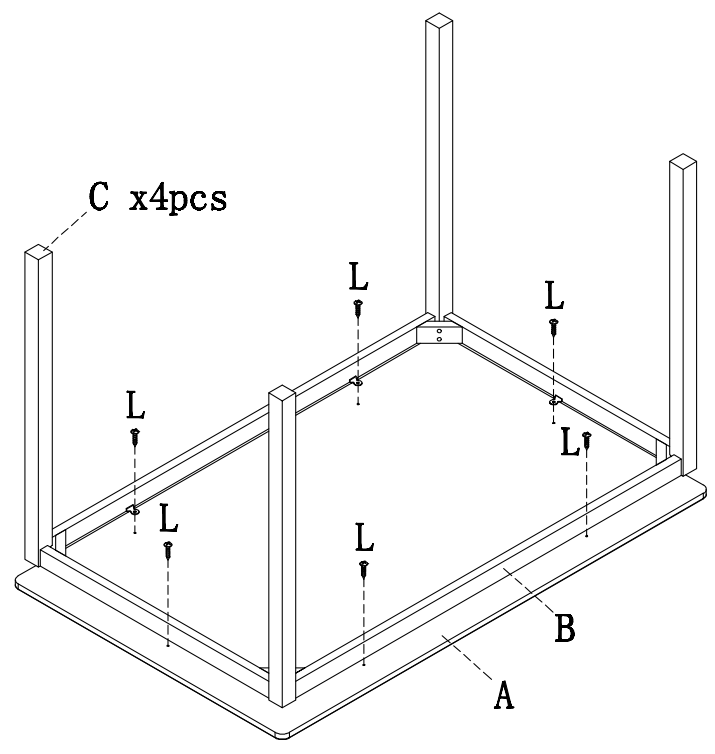
Use part N hex key to connect part F left leg and part G right leg to part H support beam with two part J screws (M6 x 30mm) and two part K screws (M6 x 12mm)

Attach part F and G chair legs to part D backrest with two part J screws (M6 x 30mm) and two part K screws (M6 x 12mm)



2

Attach assembled frame to part A tabletop with six part L screws



4

Attach part E seat to chair frame with four part J screws (M6 x 30mm)

