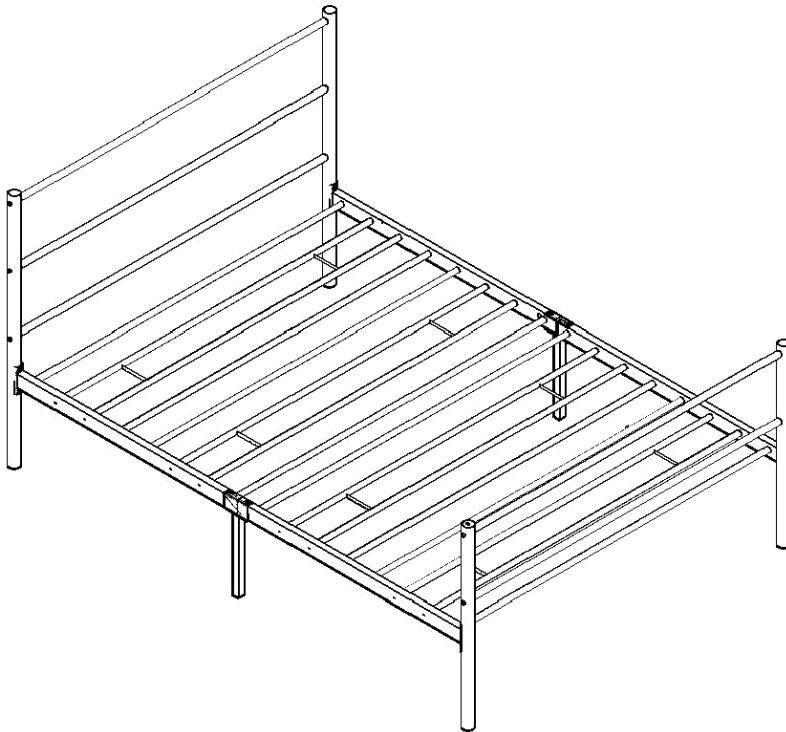




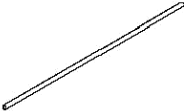
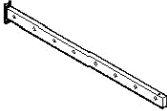

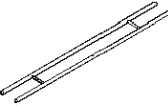

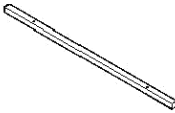













bestchoiceproducts

SKY 4901 4490

ASSEMBLY INSTRUCTION

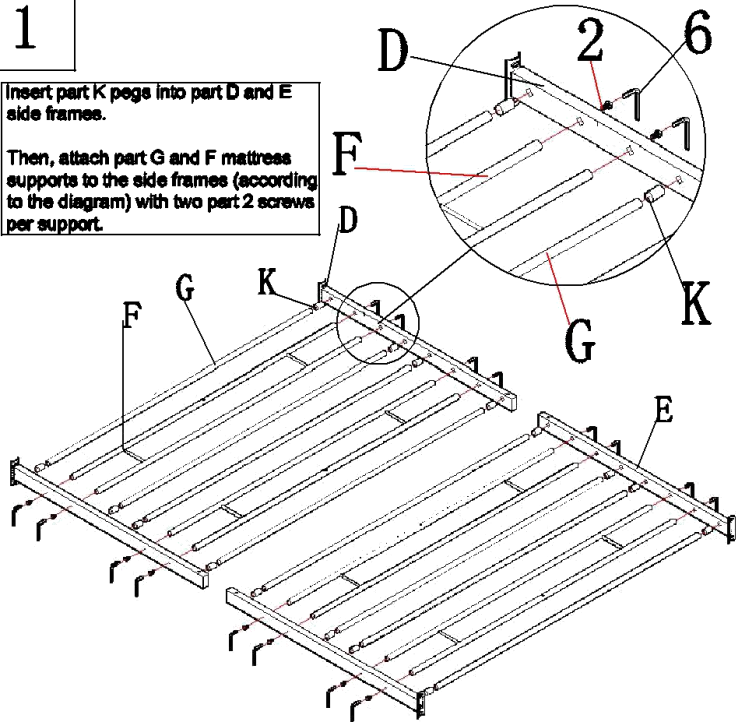


A. 2PCS 	B. 2PCS 	C. 5PCS 	D. 2PCS 	E. 2PCS 
F. 4PCS 	G. 8PCS 	H. 2PCS 	I. 2PCS 	J. 4PCS 
K. 16PCS 	1. M8*20 16PCS 	2. M6*16 16PCS 	3. M6*60 18PCS 	4. M6 4PCS 
5. M5 1PCS 	6. M4 1PCS 	7. 1PCS 	8. 10PCS 	

ASSEMBLY INSTRUCTION

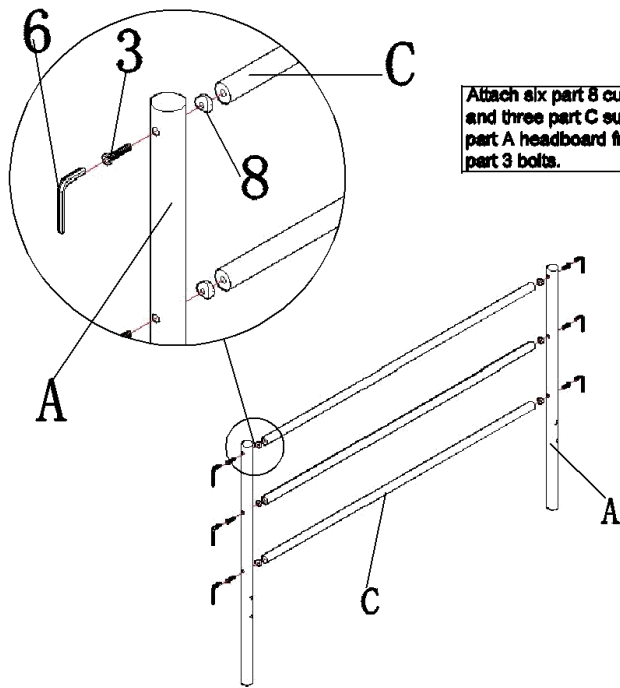
1

Insert part K pegs into part D and E side frames.
Then, attach part G and F mattress supports to the side frames (according to the diagram) with two part 2 screws per support.



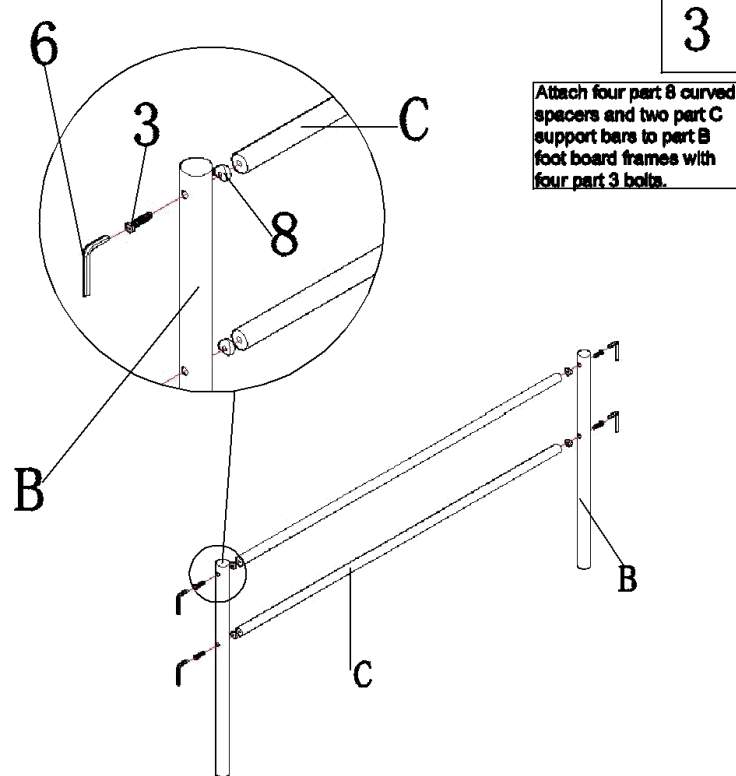
2

Attach six part 8 curved spacers and three part C support bars to part A headboard frames with six part 3 bolts.



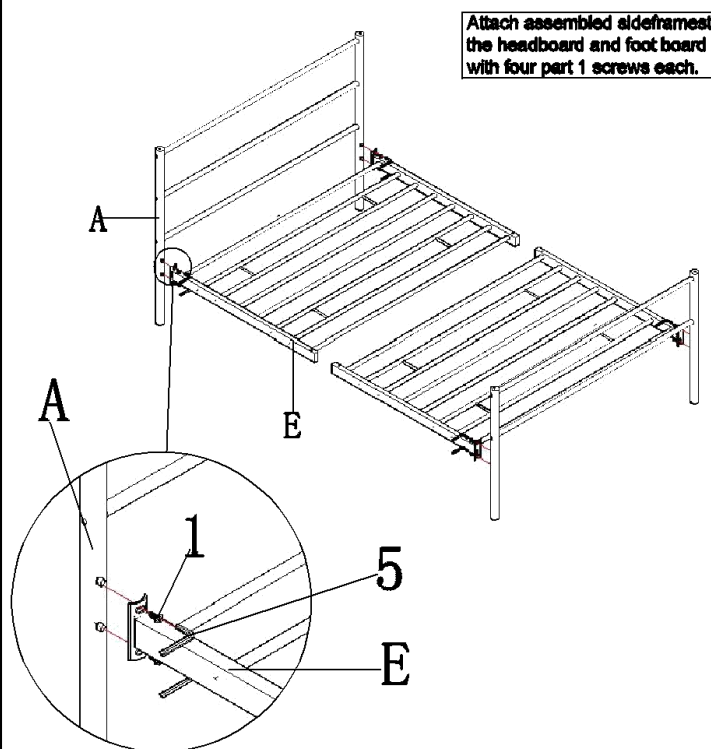
3

Attach four part 8 curved spacers and two part C support bars to part B foot board frames with four part 3 bolts.



4

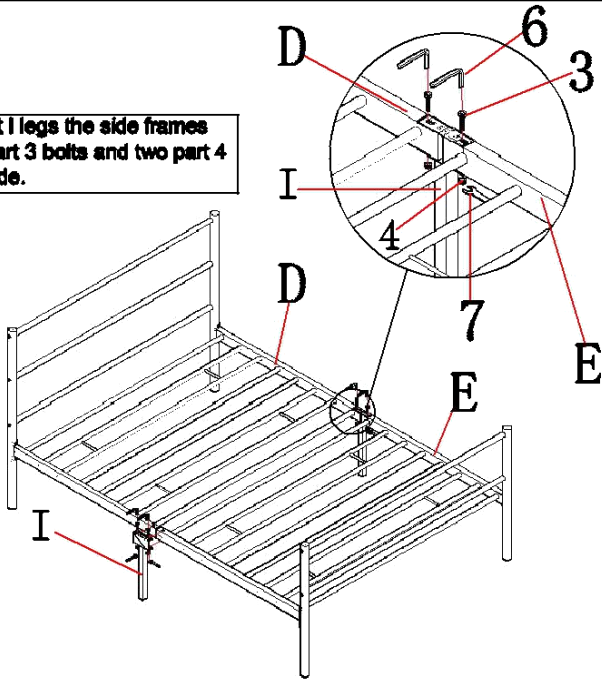
Attach assembled sideframes to the headboard and foot board with four part 1 screws each.



ASSEMBLY INSTRUCTION

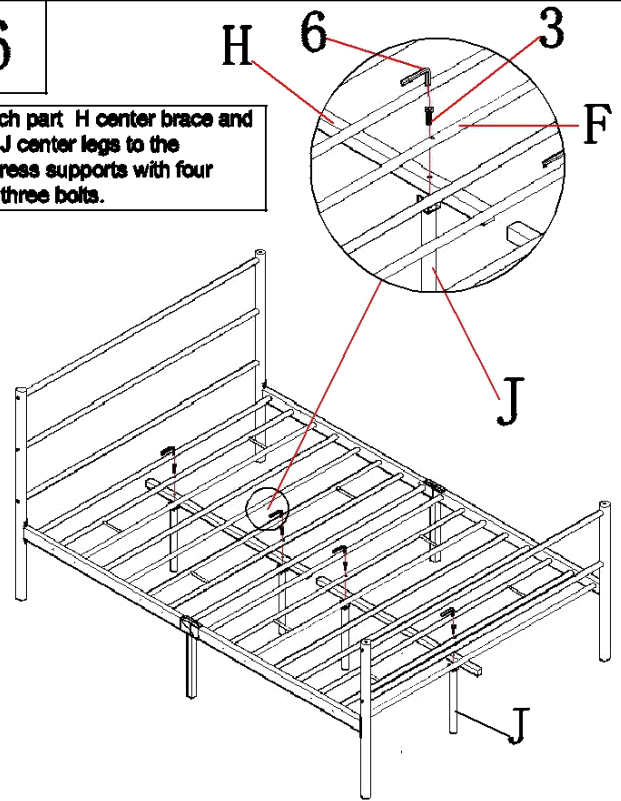
5

Attach part I legs the side frames with two part 3 bolts and two part 4 nuts per side.



6

Attach part H center brace and part J center legs to the mattress supports with four part three bolts.



7

