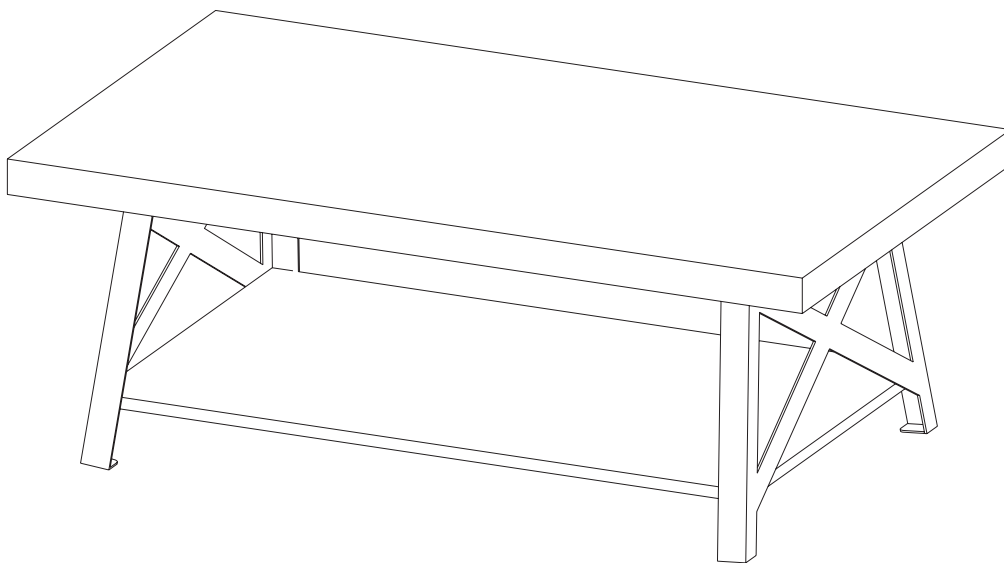




Wooden Patio COFFEE TABLE

SKY 3761



bestchoiceproducts.com



[customerservice@
bestchoiceproducts.com](mailto:customerservice@bestchoiceproducts.com)



1 844.948.8400

ASSEMBLY MANUAL

Please keep this manual for future references as it contains important information.

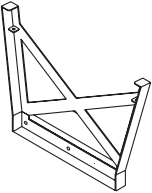
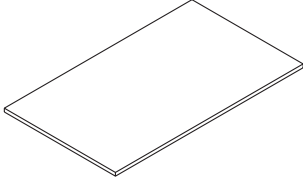
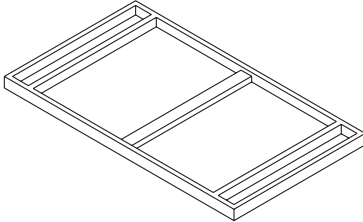
NOTICE

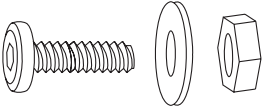

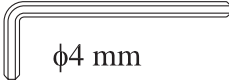
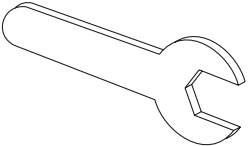
Thank you very much for choosing Best Choice Products! Please read the installation instructions carefully before installing.

When installing, do not completely tighten screws until all parts are fully assembled. Tightening screws at the beginning of assembly will lead to improper alignment of parts.

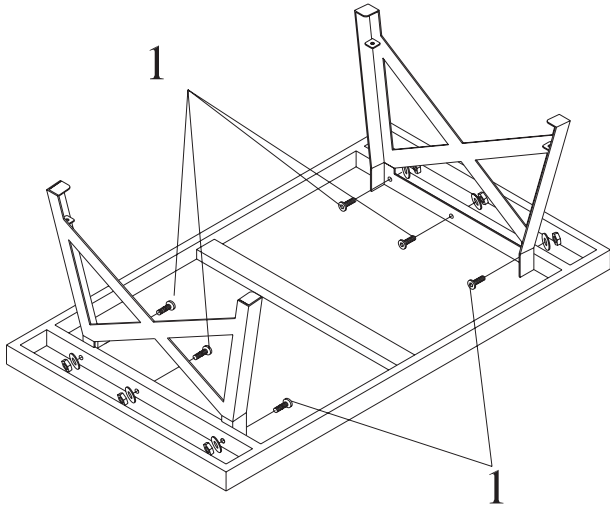
- Do not stand on or use any part of this item as a step ladder.
 - Firmly secure all bolts, screws, and knobs before use.
 - Reconfirm that all bolts, screws, and knobs are secure every 90 days.
 - Be aware that some parts are heavy and have sharp edges.
 - Do not use or store this item in the proximity of open flame or flammable/combustible chemicals.
- If any parts are missing, broken, damaged, or worn, stop using this table until repairs are made.
 - Do not use this item in a way inconsistent with the manufacturer's instructions as this could void the product warranty.

The parts and hardware below have been included for assembly:

					
A	2 pcs	B	1 pc	C	1 pc

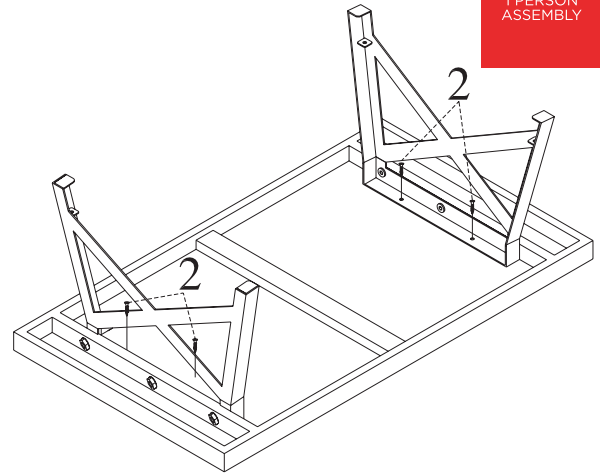
 Bolt $\phi 6 \times 35 \text{mm}$		 Screw $\phi 4 \times 15 \text{mm}$		 $\phi 4 \text{ mm}$			
1	10 pcs	2	4 pcs	3	1 pc	4	1 pc

1 PERSON ASSEMBLY
30 MIN. ASSEMBLY



STEP 1

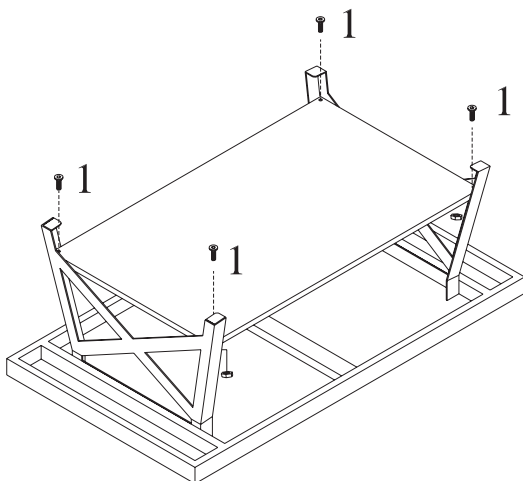
Attach part A legs to part C tabletop with three part 1 nuts, bolts, and washers per side.



STEP 2

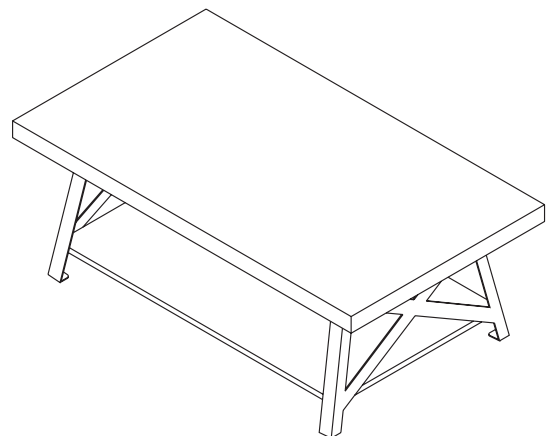
Secure part A legs to part C tabletop with two part 2 screws per side.

Please do not fully tighten all the screws until all the screws have been aligned with each hole. Put the screws on loosely until the very end of assembly. Then, all the screws can be completely tightened. Do not overtighten any screws because it may be difficult to align or tighten the other screws.



STEP 3

Attach part B shelf to part A legs with four part 1 screws.



Product Warranty Information

All items can be returned for any reason within 60 days of the receipt and will receive a full refund as long as the item is returned in its original product packaging and all accessories from its original shipment are included. All returned items will receive a full refund back to the original payment method. All returned items will not be charged a re-stocking fee.

All returned items require an RA (Return Authorization) number, which can only be provided by a Best Choice Products Customer Service Representative when the return request is submitted. Items received without an RA may not be accepted or may increase your return processing time. Once an item has been received by Best Choice Products, refunds or replacements will be processed within 5 business days.

All returns must be shipped back to the Best Choice Products Return Center at the customer's expense. If the reason for return is a result of an error by Best Choice Products then Best Choice Products will provide a pre-paid shipping label via email. Boxes for return shipping will not be provided by Best Choice Products, and is the customer's responsibility to either use the original shipping boxes or purchase new boxes.

Pictures may be required for some returns to ensure an item is not damaged prior to its return. Items returned are not considered undamaged until they are received by Best Choice Products and verified as such. All damages to items are the customer's responsibility until the item has been received by and acknowledge by Best Choice Products as undamaged.

Email us, we're here 7 days a week to help you!
customerservice@bestchoiceproducts.com



LEARN MORE!



WARNING

Manufacturer and seller expressly disclaim any and all liability for personal injury, property damage or loss, whether direct, indirect, or incidental, resulting from the incorrect attachment, improper use, inadequate maintenance, or neglect of this product.