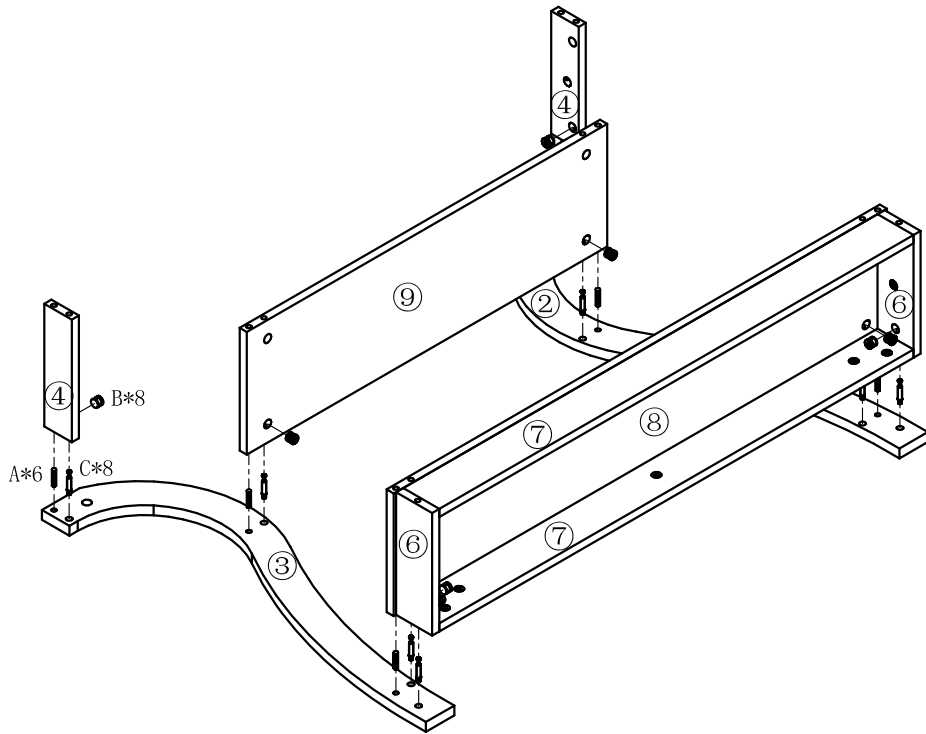


SKY4650
1200W*292D*813H

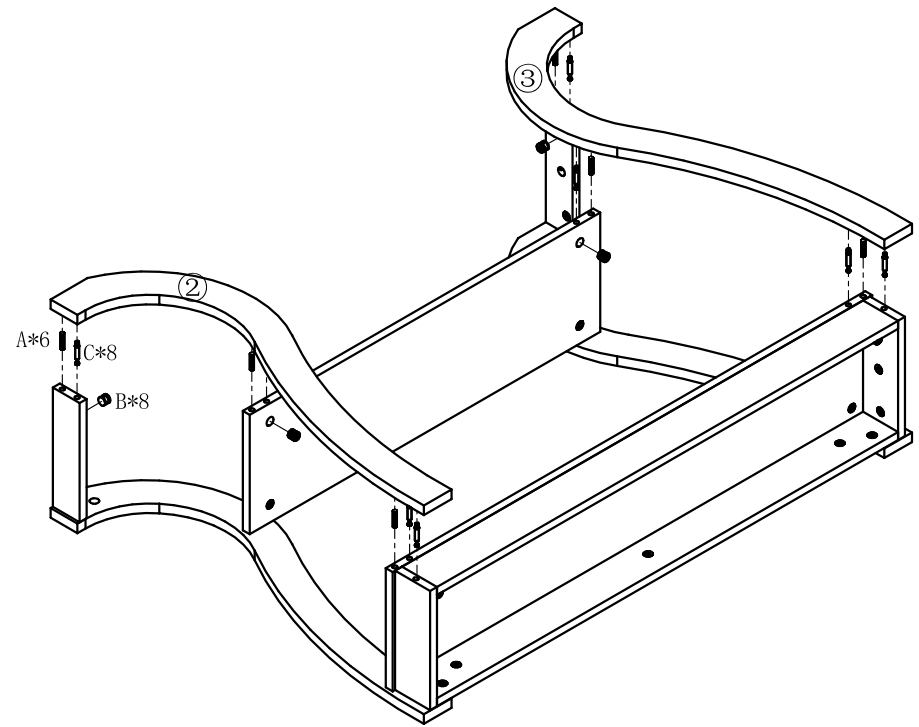
bcp
bestchoiceproducts

E-MAIL US:
We're here 7 days a week to help you!
customerservice@bestchoiceproducts.com
Always lay components on a clean, soft-cushioned surface during assembly.

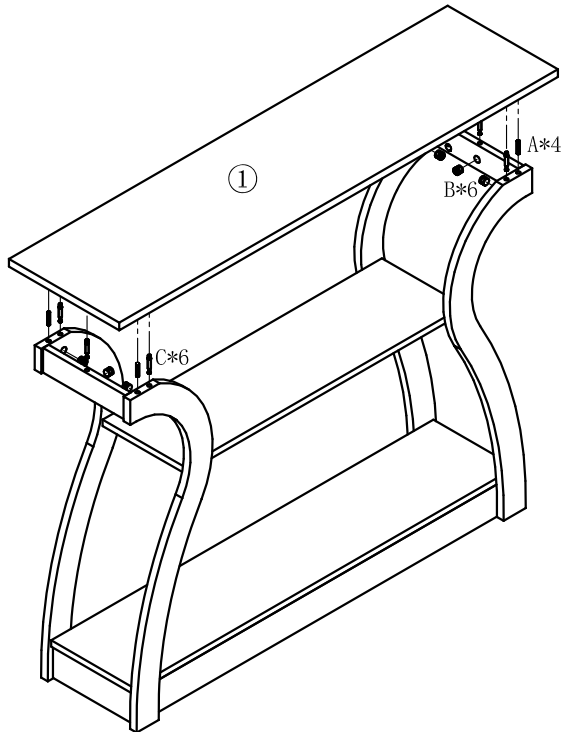
STEP 3



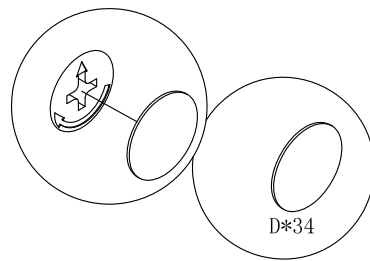
STEP 4



STEP 5



Attention: Please apply Part D cam covers over each exposed cam lock after finishing the installation.



SKY4650
1200W*292D*813H



bestchoiceproducts

E-MAIL US:

We're here 7 days a week to help you!
customerservice@bestchoiceproducts.com
Always lay components on a clean, soft-cushioned surface during assembly.