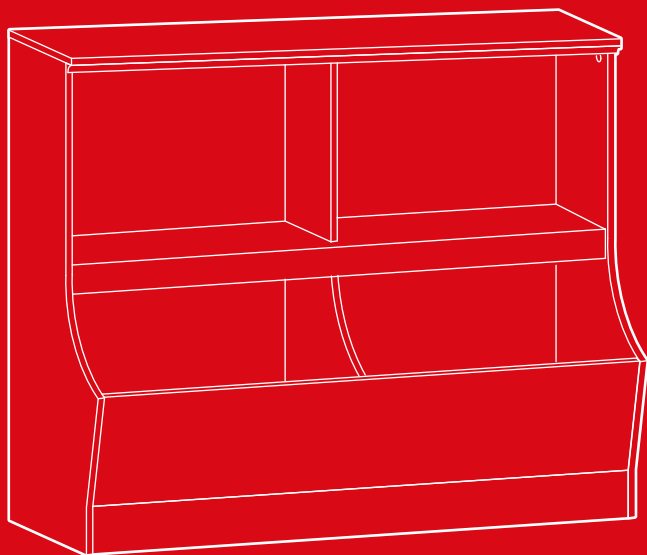




bestchoiceproducts



INSTRUCTION MANUAL

Bookcase with Toy Storage



bestchoiceproducts

Thank you for choosing us! Since 2002, Best Choice Products has been bringing customers high-quality products at the absolute lowest price. With everything ranging from instruments and toys to furniture and outdoor, we've got your everyday living essentials covered. We're centered around a customer-first philosophy - with free shipping, exceptional customer service, and a catalog sourced with you in mind.

! NOTICE

Please retain these instructions for future reference.

- Please do not exceed the weight limitations of this item.
- Product is intended for indoor use only.
- Do not stand on or use any part of this item as a step ladder.
- Firmly secure all bolts, screws and knobs before use.
- Reconfirm that all bolts, screws, and knobs are secure every 90 days.
- Do not use or store this item in the proximity of open flame or flammable/combustible chemicals.
- If any parts are missing, broken, damaged, or worn, stop using this item until repairs are made and/or factory replacement parts are installed.
- Do not use this item in a way inconsistent with the manufacturer's instructions as this could void the product warranty.
- To wipe down the furniture, use a damp cloth. Then, wipe it down once more with a dry cloth.

TOOLS REQUIRED



PHILLIPS
SCREWDRIVER



DRILL
(OPTIONAL)



40 LBS
CAPACITY



1 PERSON
ASSEMBLY



APPROXIMATELY
60 MIN.
ASSEMBLY

HARDWARE

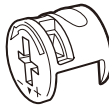
Spare parts may be included

1 CAM BOLT



25 PCS

2 CAM LOCK



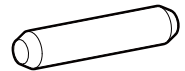
29 PCS

3 DOUBLE SIDED CAM BOLT



2 PCS

4 DOWEL



8 PCS

5 M3.5 x 20mm SCREW



4 PCS

6 M4 x 10mm SCREW



2 PCS

7 BRACKET



2 PCS

8 WALL ANCHOR



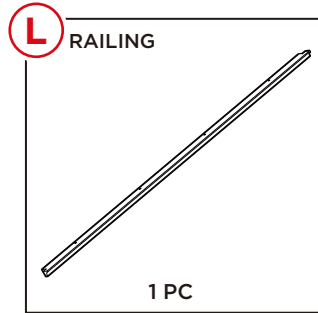
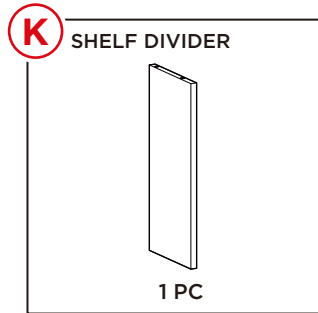
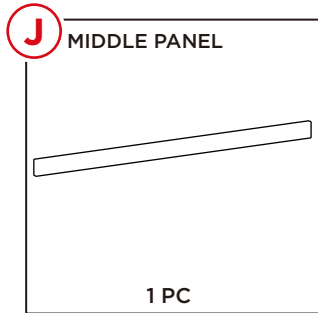
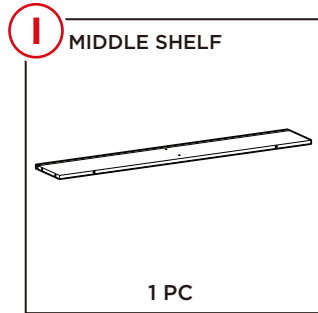
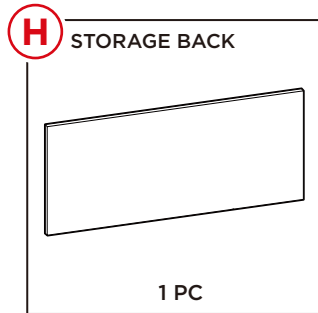
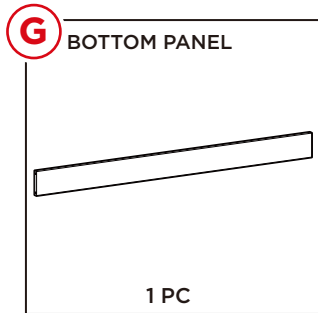
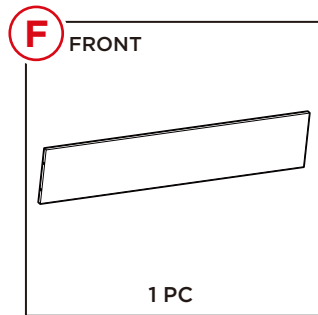
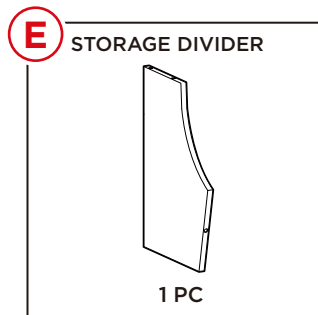
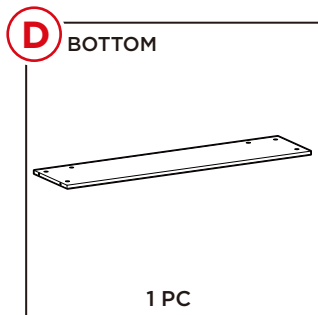
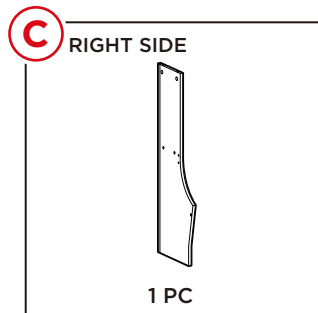
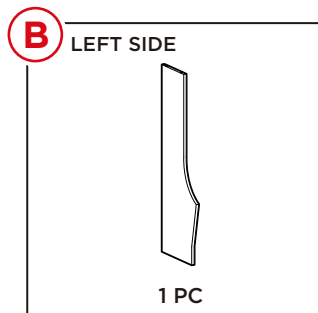
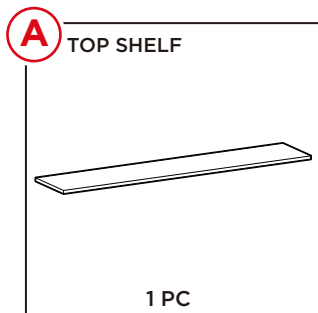
2 PCS

9 M4 x 35mm SCREW

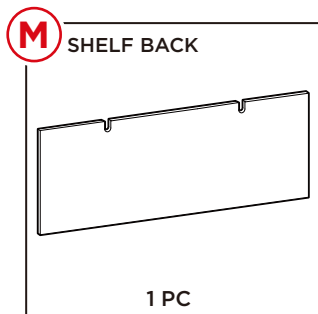


2 PCS

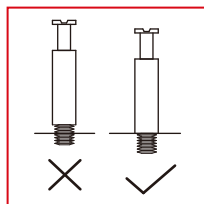
PARTS



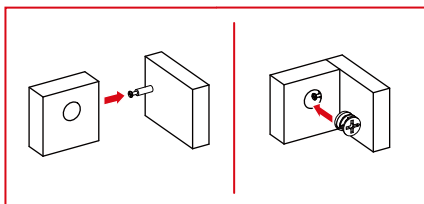
PARTS



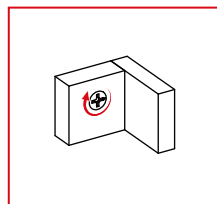
TIGHTENING CAMLOCKS



1. Screw cam bolt in completely.



2. Insert cam bolt and cam lock into designated holes.

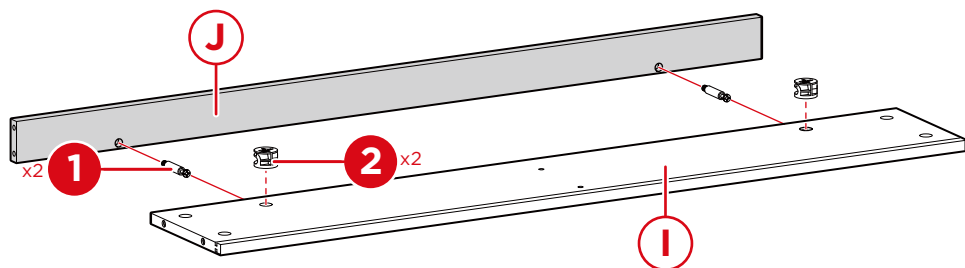


3. Screw cam lock clockwise to secure cam bolt.

PRODUCT ASSEMBLY

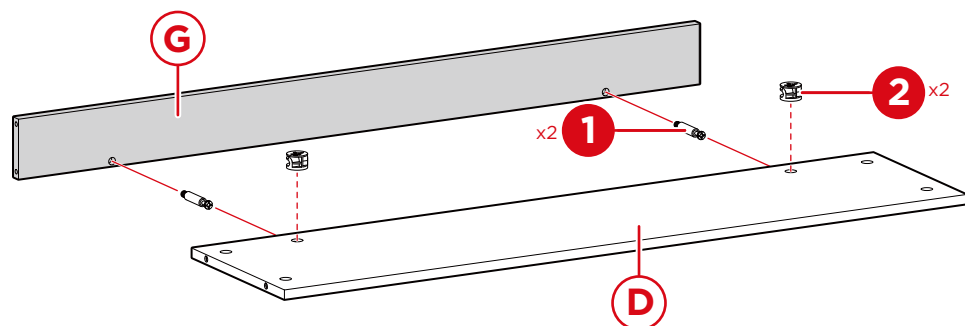
1

Screw two part 1 cam bolts into the part J middle panel. Insert cam bolts into the part I middle shelf and secure with two part 2 cam locks.



2

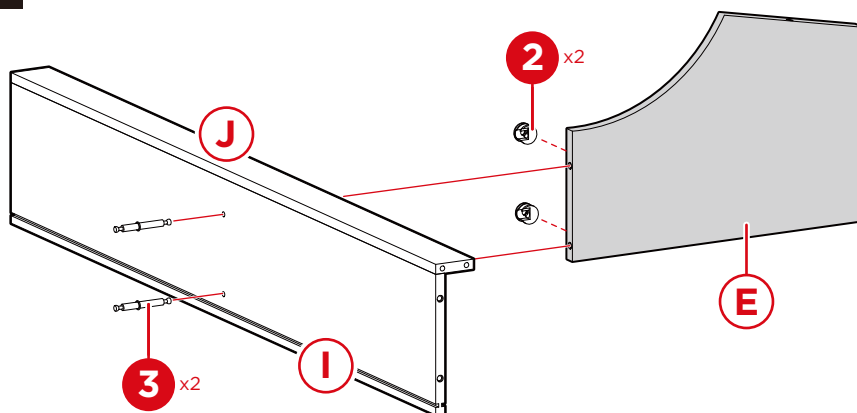
Screw two part 1 cam bolts into the part G bottom panel. Insert cam bolts into the part D bottom and secure with two part 2 cam locks.



PRODUCT ASSEMBLY

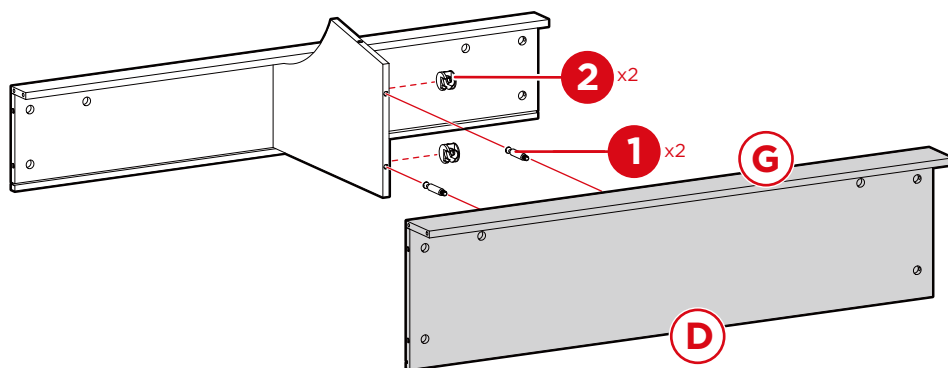
3

Insert two part 3 double sided cam bolts through the part I middle shelf. Insert the longer end of the cam bolts into the part E storage divider and secure with two part 2 cam locks.



4

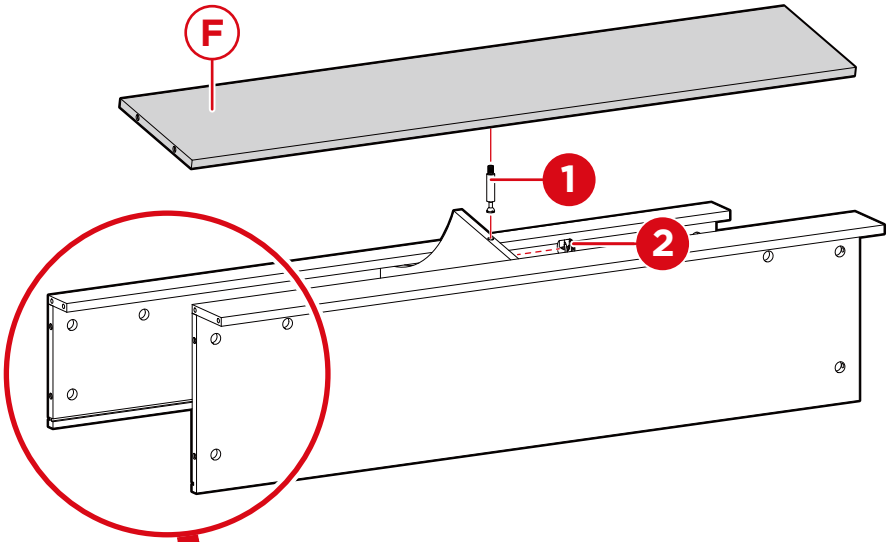
Screw two part 1 cam bolts into the part D bottom. Insert cam bolts into the storage divider and secure with two part 2 cam locks.



PRODUCT ASSEMBLY

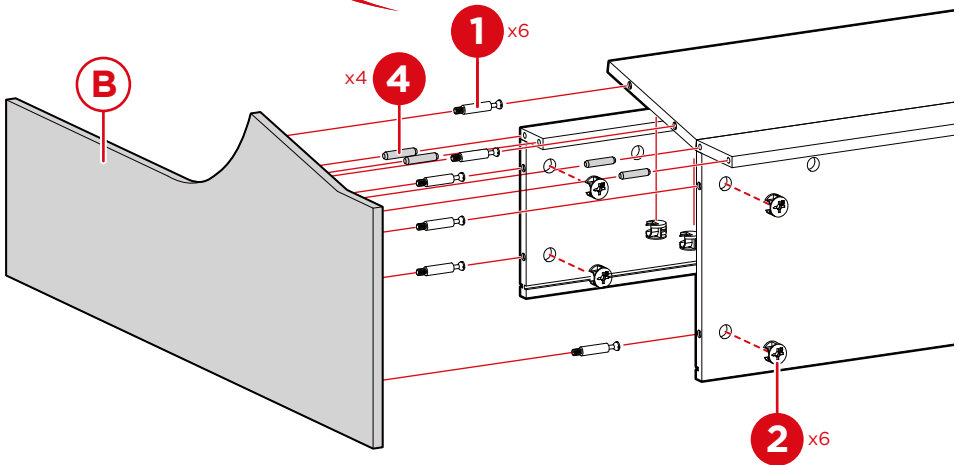
5

Screw a part 1 cam bolt into the part F front. Insert the cam bolt into the storage divider and secure with a part 2 cam lock.



6

Screw six part 1 cam bolts and insert four part 4 dowels into the part B left side. Insert the cam bolts/dowels into the assembly, then secure the side with six part 2 cam locks.

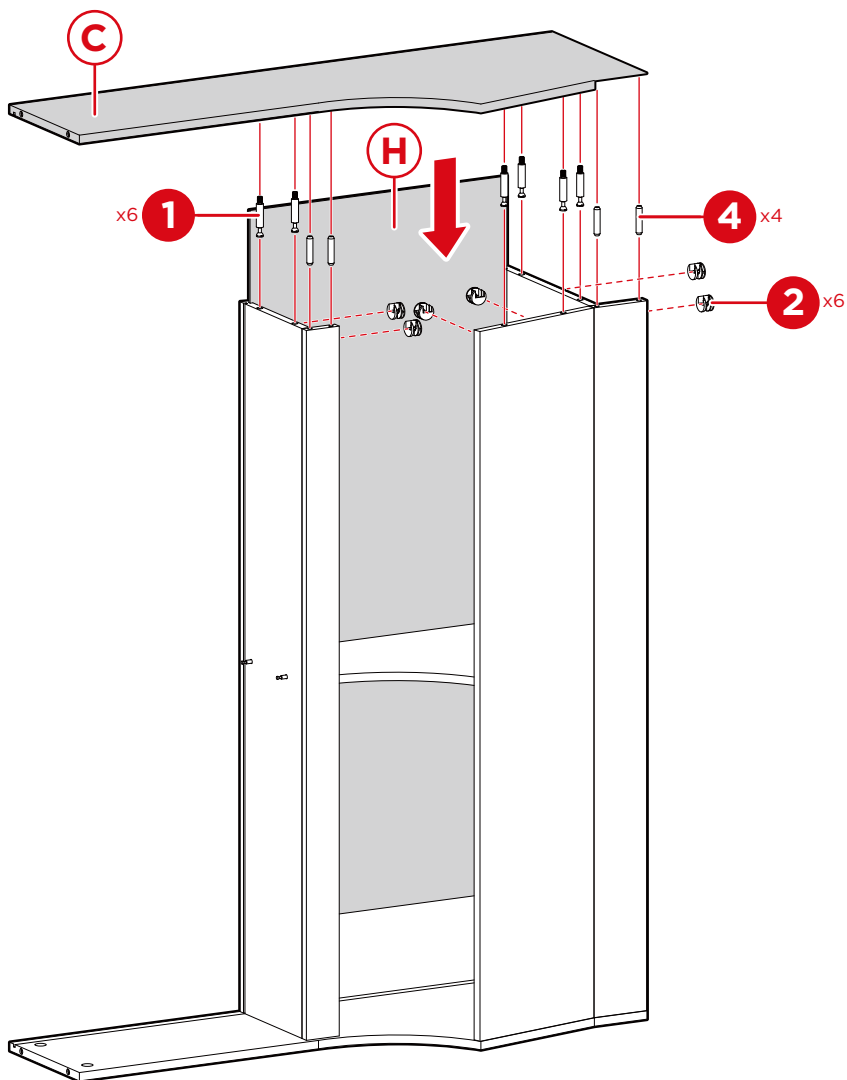


PRODUCT ASSEMBLY

7

Slide in the part H storage back.

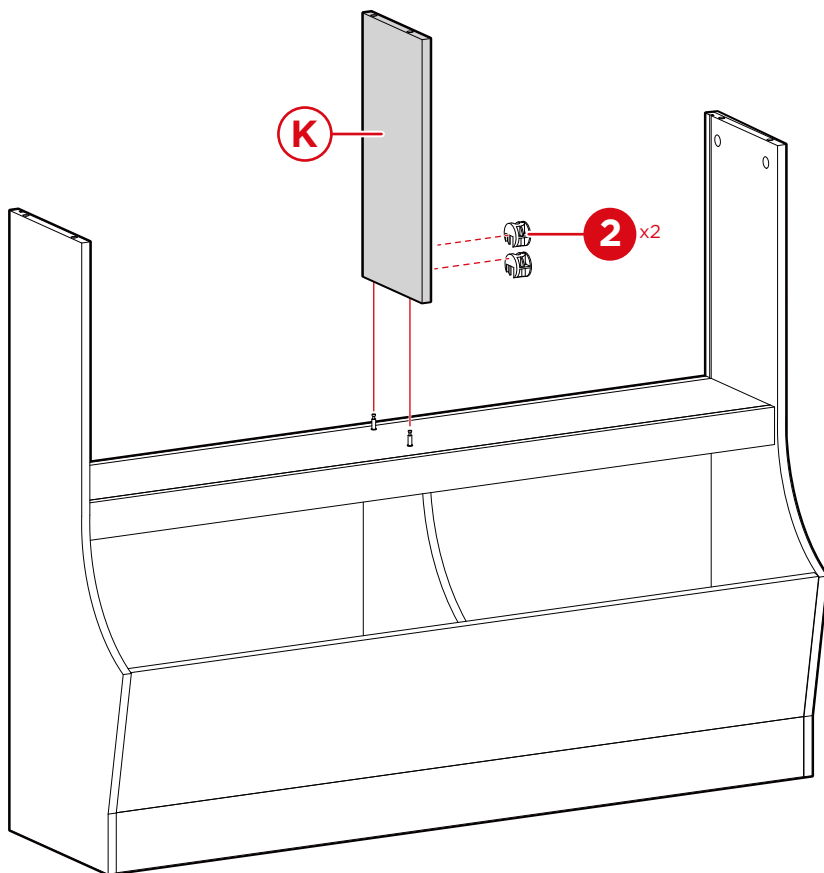
Screw six part 1 cam bolts and insert four part 4 dowels into the part C right side. Insert the cam bolts/dowels into the assembly, then secure the side with six part 2 cam locks.



PRODUCT ASSEMBLY

8

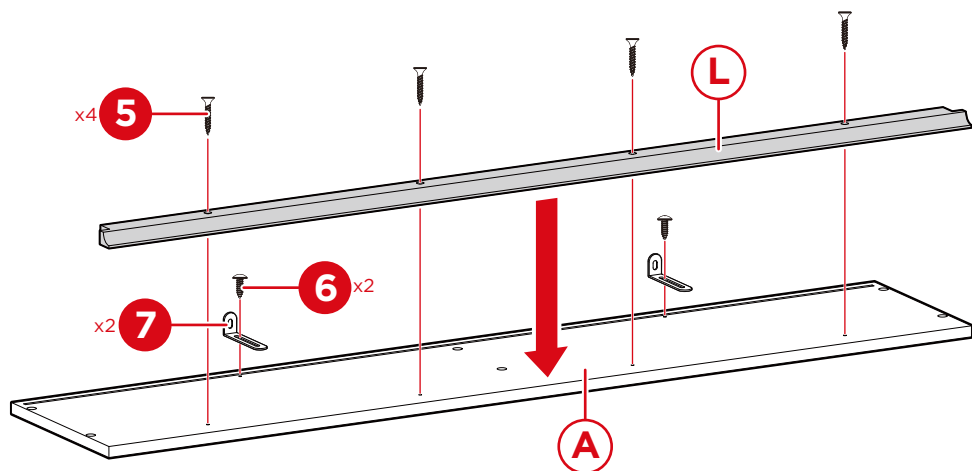
Slide the part K shelf divider onto the other side of the double sided cam bolts and secure it with two part 2 cam locks.



PRODUCT ASSEMBLY

9

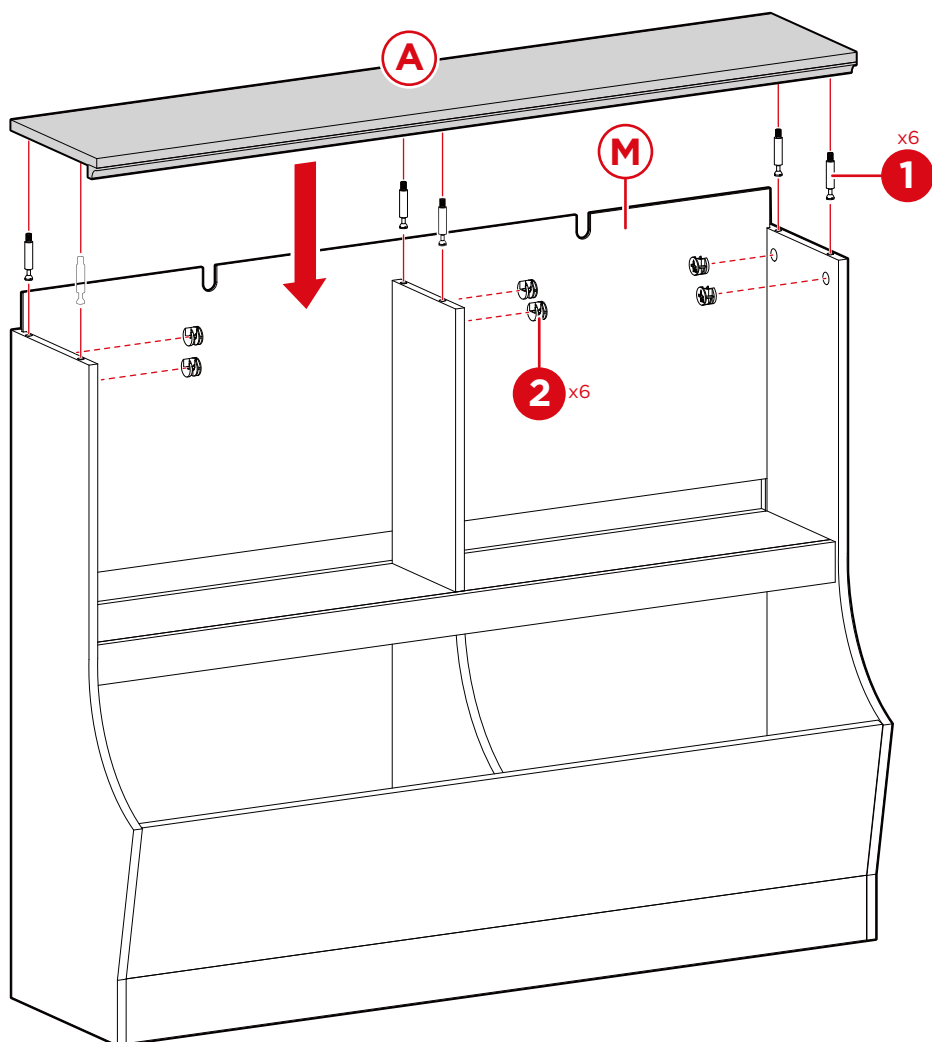
Attach two part 7 brackets to the part A top shelf with two part 6 screws. Attach the part L railing with four part 5 screws.



PRODUCT ASSEMBLY

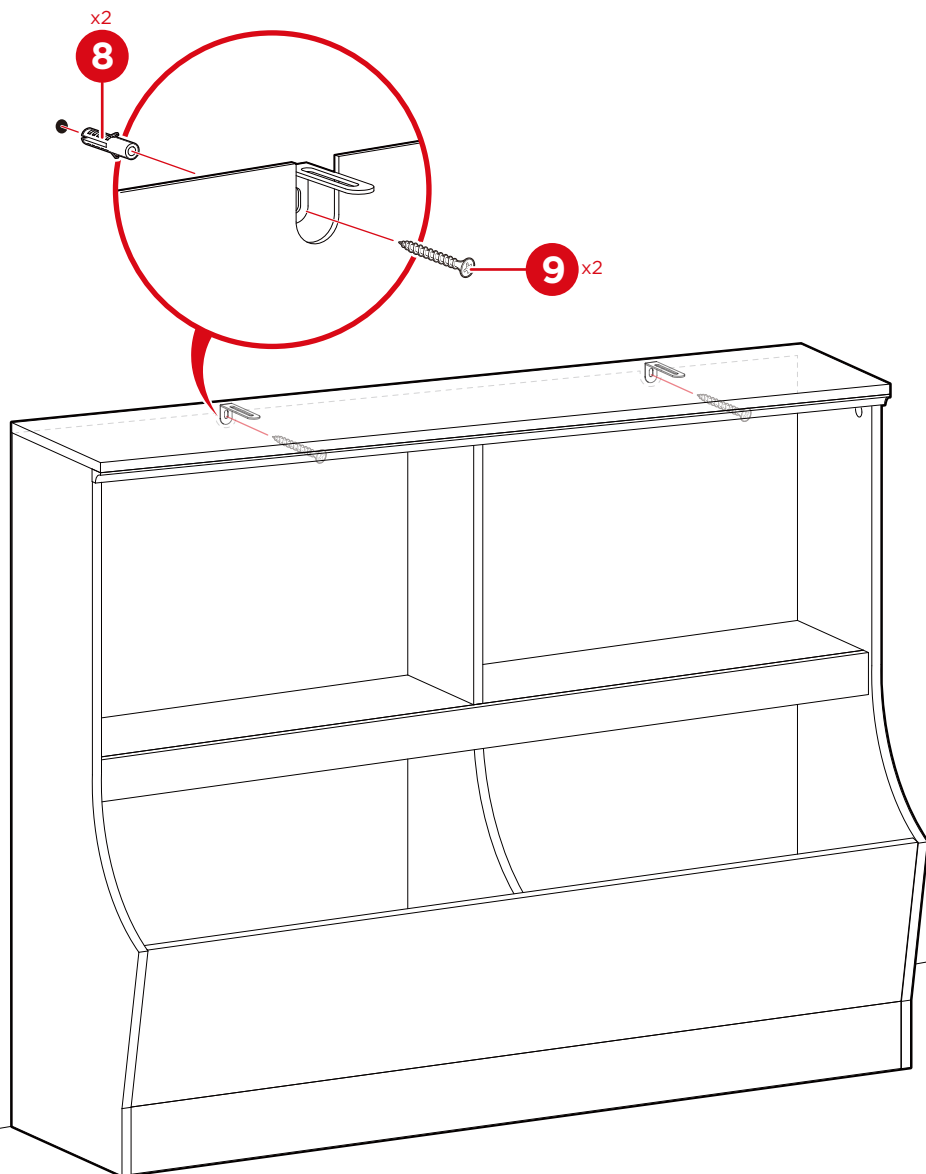
10

Slide in the part M shelf back.
Screw six part 1 cam bolts into the part A top shelf. Insert the cam bolts into the assembly and secure with six part 2 cam locks.



SECURING TO WALL (OPTIONAL)

1. Position bookcase against the wall. Use a pencil to mark where the screws will be, then drill two holes. Insert two part 8 wall anchors into the screw holes.
2. Attach the brackets to the wall with two part 9 screws.



With our rewards program, you get more ways to save!

bestchoiceproducts
rewards

Join | Earn | Redeem

Earn points while you shop. Join today!

bestchoiceproducts.com



bestchoiceproducts

Check out more great products:

[bestchoiceproducts.com](https://www.bestchoiceproducts.com)



HELP CENTER



Question about your product? We're here to help. Visit us at:

help.bestchoiceproducts.com



Chat Support



Product Inquiry



Orders FAQ



Product Assembly



Returns & Refunds

PRODUCT WARRANTY INFORMATION

All items can be returned for any reason within 60 days of the receipt and will receive a full refund as long as the item is returned in its original product packaging and all accessories from its original shipment are included. All returned items will receive a full refund back to the original payment method. All returned items will not be charged a re-stocking fee.

All returned items require an RA (Return Authorization) number, which can only be provided by a Best Choice Products Customer Service Representative when the return request is submitted. Items received without an RA may not be accepted or may increase your return processing time. Once an item has been received by Best Choice Products, refunds or replacements will be processed within 5 business days.

All returns must be shipped back to the Best Choice Products Return Center at the customer's expense. If the reason for return is a result of an error by Best Choice Products then Best Choice Products will provide a pre-paid shipping label via email. Boxes for return shipping will not be provided by Best Choice Products, and is the customer's responsibility to either use the original shipping boxes or purchase new boxes.

Pictures may be required for some returns to ensure an item is not damaged prior to its return. Items returned are not considered undamaged until they are received by Best Choice Products and verified as such. All damages to items are the customer's responsibility until the item has been received by and acknowledge by Best Choice Products as undamaged.



WARNING

Manufacturer and seller expressly disclaim any and all liability for personal injury, property damage or loss, whether direct, indirect, or incidental, resulting from the incorrect attachment, improper use, inadequate maintenance, or neglect of this product.