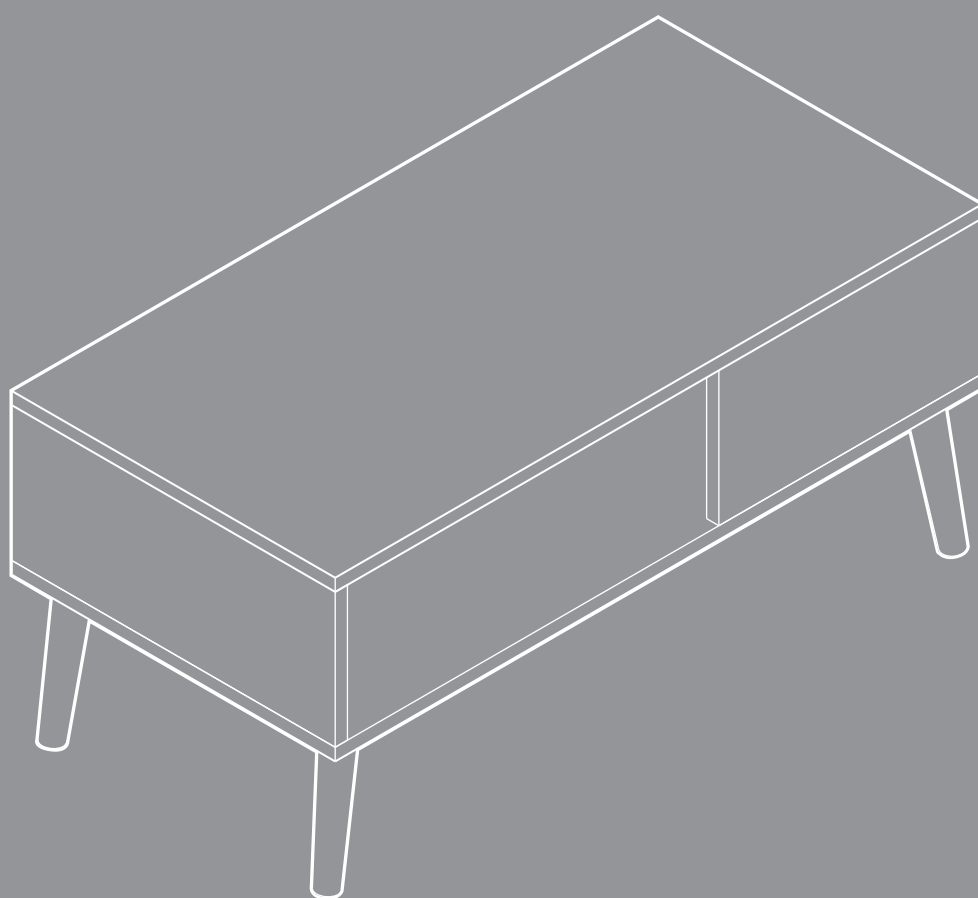




bestchoiceproducts



# INSTRUCTION MANUAL

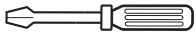
---

Retro Coffee Table

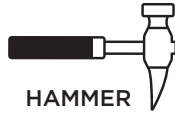
## ! NOTICE

- Please do not exceed the weight limitations of this item.
- Do not stand on or use any part of this item as a step ladder.
- Firmly secure all bolts, screws, and knobs before use.
- Reconfirm that all bolts, screws, and knobs are secure every 90 days.
- Do not use or store this item in the proximity of open flame or flammable/combustible chemicals.
- If any parts are missing, broken, damaged, or worn, stop using this item until repairs are made and/or factory replacement parts are installed.
- Do not use this item in a way inconsistent with the manufacturer's instructions as this could void the product warranty.

## TOOLS REQUIRED



PHILLIPS  
SCREWDRIVER



HAMMER  
(OPTIONAL)



1 PERSON  
ASSEMBLY

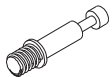


APPROXIMATELY  
45 MIN.  
ASSEMBLY

## HARDWARE

**A**

M6 x 35mm  
CAM BOLT



6 PC

**B**

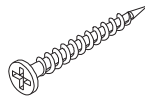
10mm  
CAM LOCK



6 PC

**C**

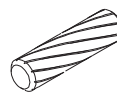
M4 x 35mm  
SCREW



6 PC

**D**

30mm  
DOWEL



12 PC

**E**

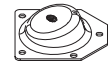
M4 x 12mm  
SCREW



20 PC

**F**

LEG MOUNT

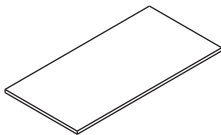


4 PC

## PARTS

**1**

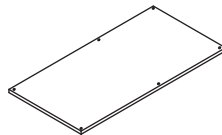
TABLETOP



1 PC

**2**

BOTTOM



1 PC

**3**

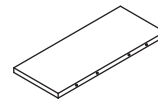
SIDE PANEL



1 PC

**4**

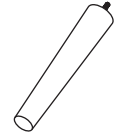
FRONT/BACK PANEL



2 PCS

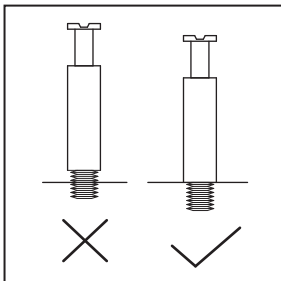
**5**

LEGS

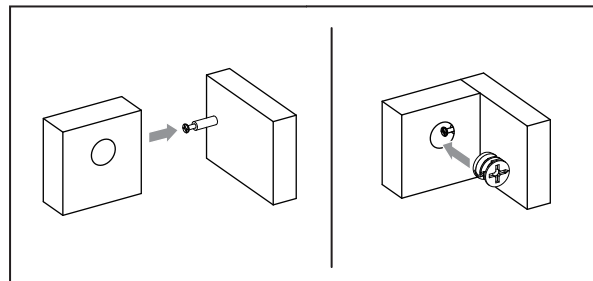


4 PCS

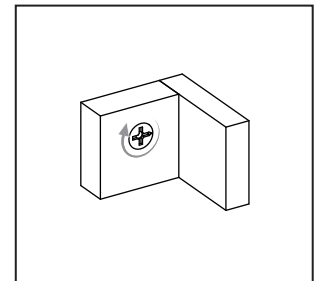
## TIGHTENING CAMLOCKS



1. Screw cam bolt in completely.



2. Insert cam bolt and cam lock into designated holes.



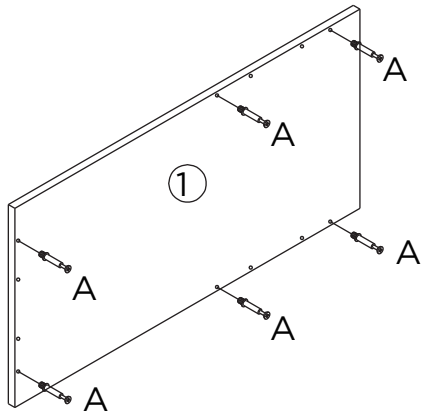
3. Screw cam lock clockwise to secure cam bolt.

# PRODUCT ASSEMBLY

Please retain these instructions for future reference.

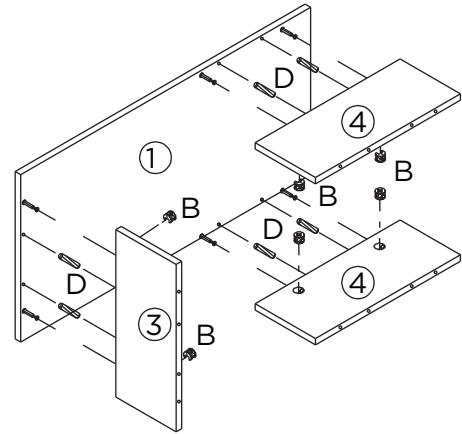
**1**

Screw six part A cam bolts into part 1 tabletop.



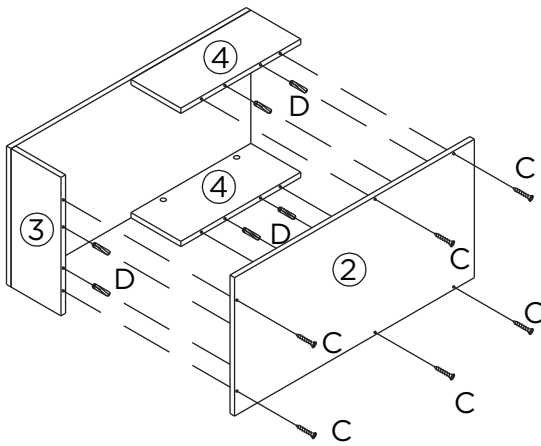
**2**

Attach parts 3 and 4 panels with six part D dowels and six part B cam locks.



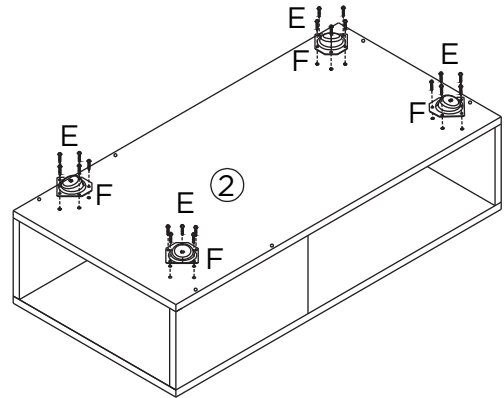
**3**

Attach part 2 bottom with six part D dowels and six part C screws.



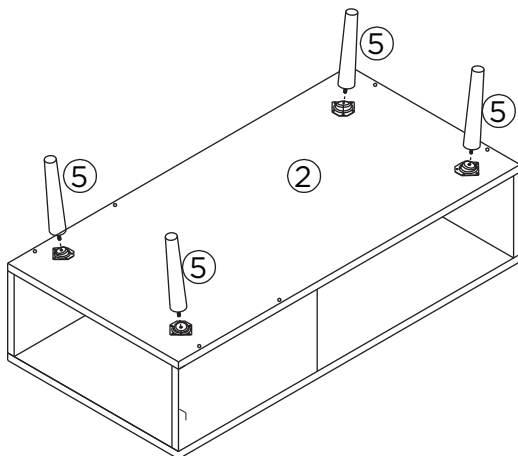
**4**

Flip the assembly. Attach four part F leg mounts with twenty part E screws, five screws per leg mount.



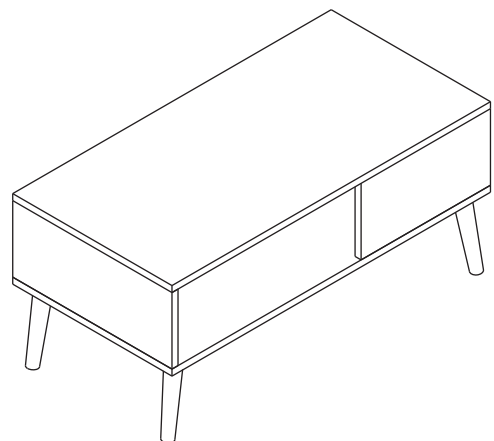
**5**

Screw four part 5 legs into the leg mounts.



**6**

Flip the table onto its legs.





# HELP CENTER



Question about your product? We're here to help. Visit us at:

[help.bestchoiceproducts.com](http://help.bestchoiceproducts.com)



Chat Support



Product Inquiry



Orders FAQ



Product Assembly



Returns & Refunds

## PRODUCT WARRANTY INFORMATION

All items can be returned for any reason within 60 days of the receipt and will receive a full refund as long as the item is returned in its original product packaging and all accessories from its original shipment are included. All returned items will receive a full refund back to the original payment method. All returned items will not be charged a re-stocking fee.

All returned items require an RA (Return Authorization) number, which can only be provided by a Best Choice Products Customer Service Representative when the return request is submitted. Items received without an RA may not be accepted or may increase your return processing time. Once an item has been received by Best Choice Products, refunds or replacements will be processed within 5 business days.

All returns must be shipped back to the Best Choice Products Return Center at the customer's expense. If the reason for return is a result of an error by Best Choice Products then Best Choice Products will provide a pre-paid shipping label via email. Boxes for return shipping will not be provided by Best Choice Products, and is the customer's responsibility to either use the original shipping boxes or purchase new boxes.

Pictures may be required for some returns to ensure an item is not damaged prior to its return. Items returned are not considered undamaged until they are received by Best Choice Products and verified as such. All damages to items are the customer's responsibility until the item has been received by and acknowledge by Best Choice Products as undamaged.

## WARNING

Manufacturer and seller expressly disclaim any and all liability for personal injury, property damage or loss, whether direct, indirect, or incidental, resulting from the incorrect attachment, improper use, inadequate maintenance, or neglect of this product.